



IPC

Spare parts list

Ref: MSUB00617

Model: SWEEPER 1280 DP P. F.SAC. GR/VE



IMPORT: TAVERNARO AG

Seuzachstrasse 28

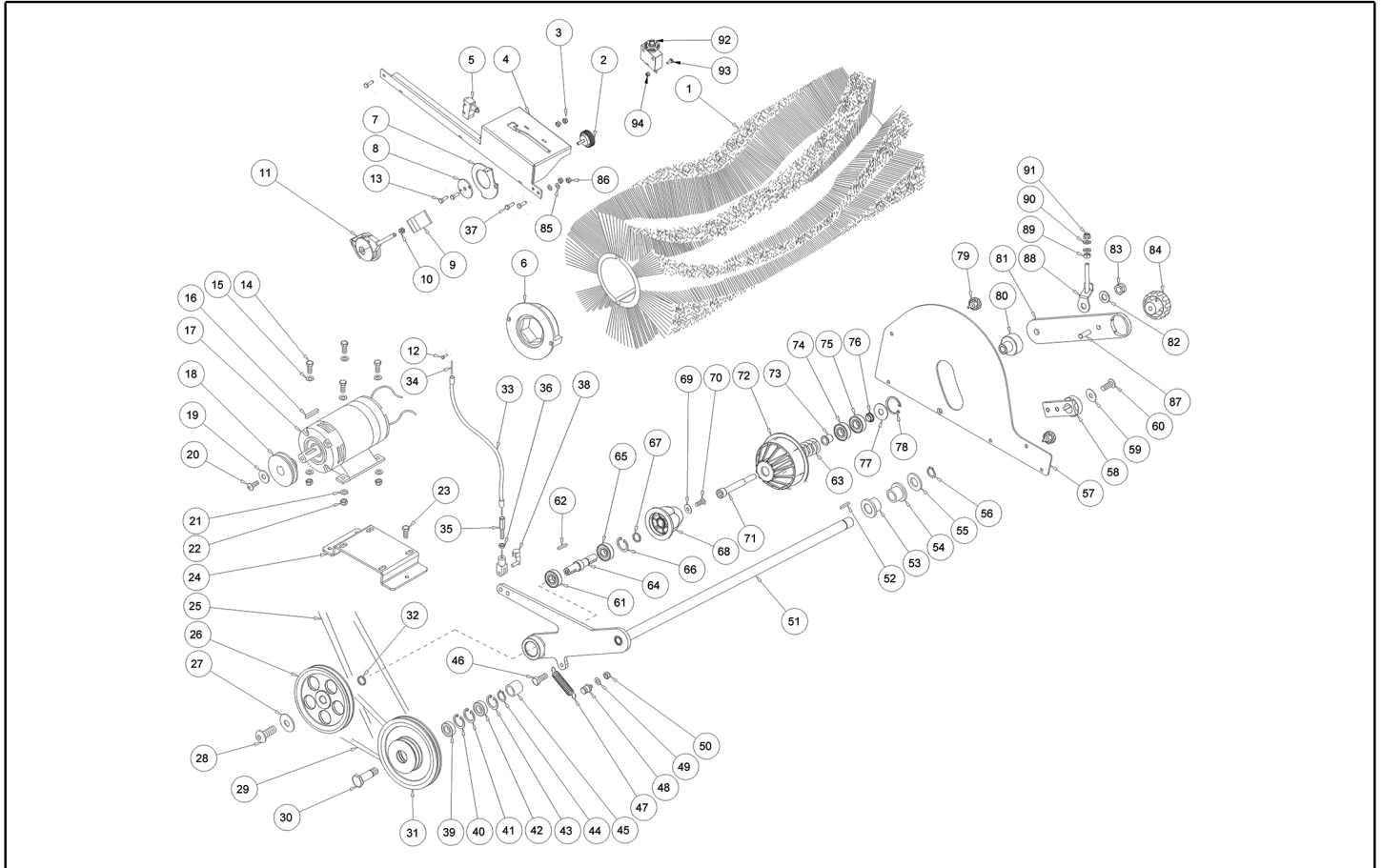
CH-8413 Neftenbach-Winterthur

Telefon: 052 315 19 78, Fax: 052 315 30 70

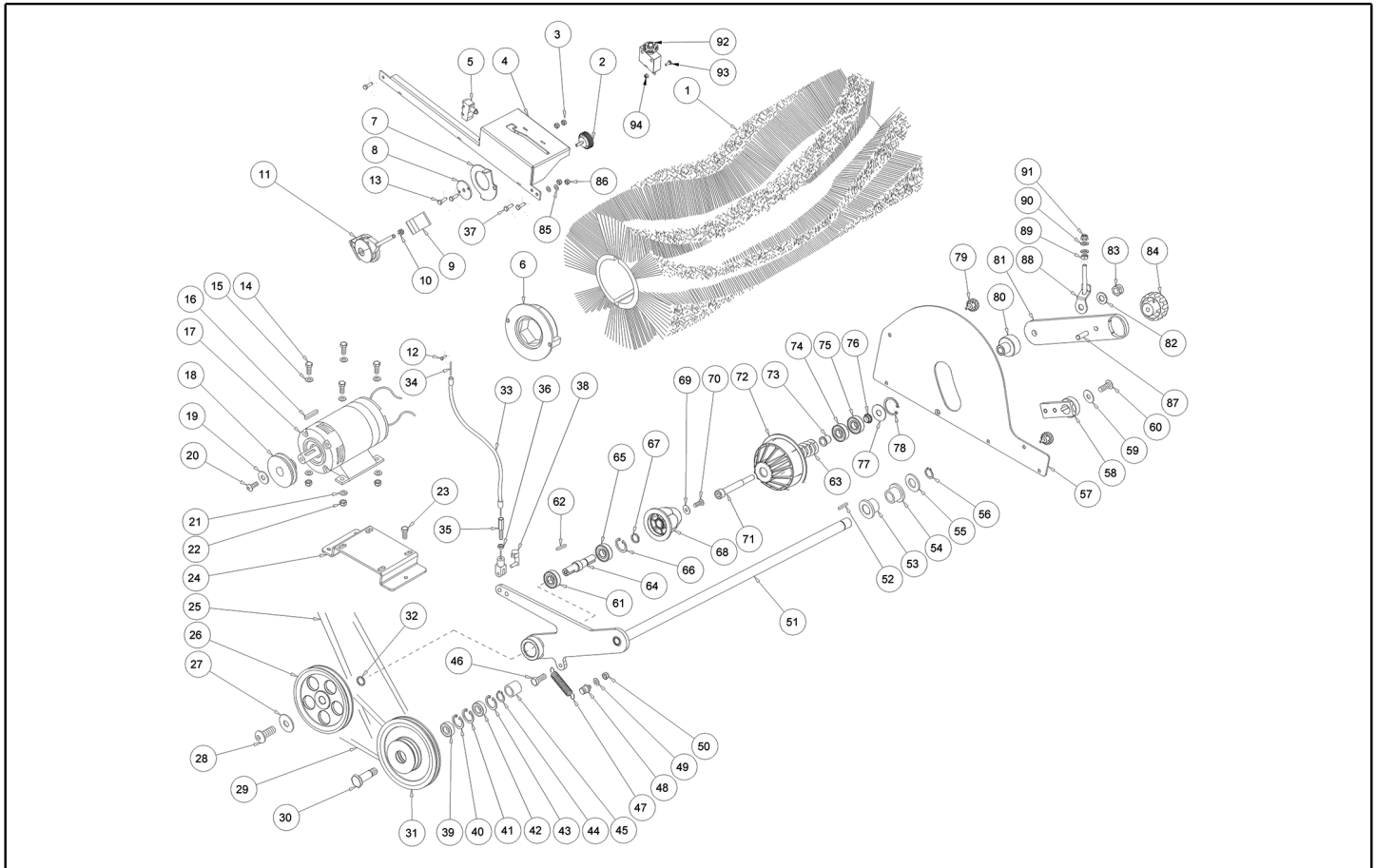
info@taverno.com, www.cleanshop.ch

Table: CENTRAL BRUSH

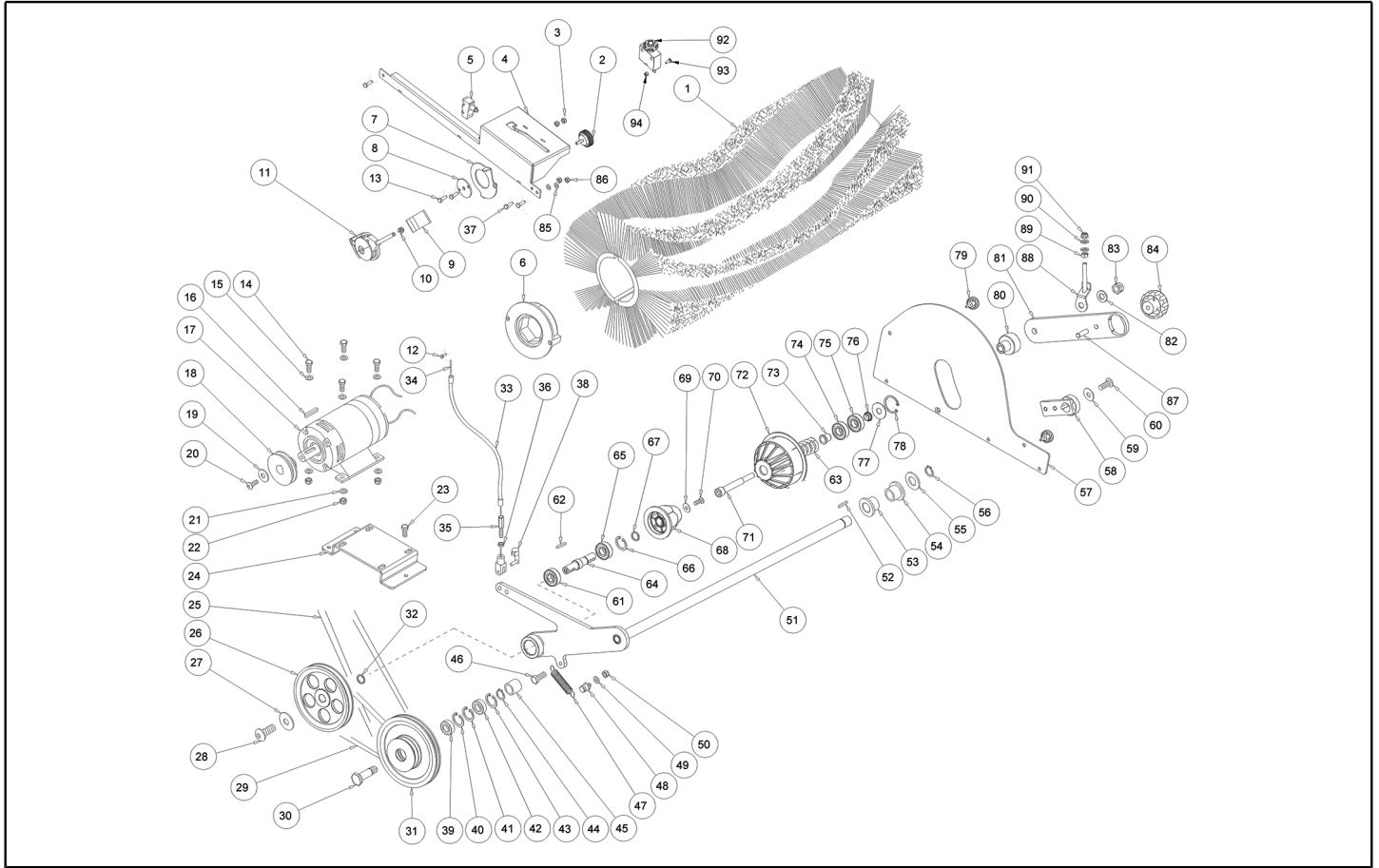
Progressive number: 1



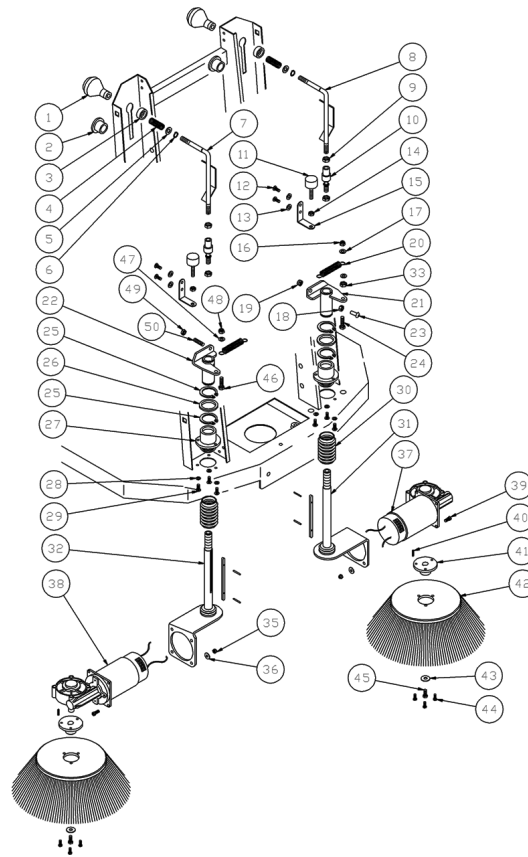
Ref. K	Part n.	Part n. 2	Description	Quantity	Validity		Price
					From	To	
0001	SPPV75791	1350024	CENTRAL BRUSH 680X280mm	1,00			--
0002	VTVT00125	1320106	HANDWHEEL D.40 M6X15	1,00			--
0003	VTDD00491		NUT M 6 TEF	2,00			--
0004	LAFN08182		LEVER -	1,00			--
0005	MECI75801	1380001	MICROSWITCH A PISTONE (MS/10-Z15GC)	1,00			--
0006	LAFN45099	22501036	DRIVE DISK CENTRAL BRUSH	1,00			--
0007	LAFN08186		SHEET METAL PA. -	1,00			--
0008	LAFN08176		THICKNESS -	1,00			--
0009	CMCV33356	RP33356	MANOEUVRE LEVER INOX C/POM.SX NRO	1,00			--
0010	VTDD00483	05092	NUT M 8 ZIN UNI 5588	1,00			--
0011	CMCV33356	RP33356	MANOEUVRE LEVER INOX C/POM.SX NRO	1,00			--
0012	VTVT34115	75019	SCREW TE M 5X 10 UNI 5739	1,00			--
0013	VTVT00444	05012	SCREW TE 6X20 UNI5739	2,00			--
0014	VTVT00448	05156	SCREW TE 8X30 UNI5739	4,00			--
0015	VTRS00504	05242	WASHER D. 8 ZC. UNI 6592	4,00			--
0016	VTVR13165	1105467	KEY UNI 6604 5X5X20	1,00			--
0017	MOCC87164	1340015	MOTOR MP80S/2 24V 3500G 600W	1,00			--
0018	MTPL00215		PULLEY -	1,00			--
0019	VTRS63242	1105325	WASHER UNI 6593 6X24X2 ZB	1,00			--
0020	VTVT01531	05259	SCREW TE 6X 16 UNI 5739	1,00			--
0021	VTRS00504	05242	WASHER D. 8 ZC. UNI 6592	4,00			--
0022	VTDD00124	SL05001	NUT M 8 BASSO	4,00			--
0023	VTVT62920	1105162	SCREW TE FR 6X16 ZB ZIGRINATE	3,00			--
0024	LAFN08171		SHEET METAL PA. TK1000	1,00			--
0025	MTCG00139		BELT XPZ ESEC.6T 6B LP825	1,00			--
0026	MTPL75998	22501001	PULLEY CENTRAL BRUSH ACTIVATION	1,00			--
0027	VTRS00513	1105327	WASHER UNI 6593 8X32X2,5 ZB	1,00			--
0028	VTVT87271	1105239	SCREW TBCE ISO 7380 8X16 ZB	1,00			--
0029	MTCG00138		BELT XPZ ESEC.6T 6B LP758	1,00			--
0030	LAFN00465	22301010	PIN FISSAG.PULEGGIA RINVIO	1,00			--
0031	MTPL75999	22501008	PULLEY BELT TRANSMISSION CENT.BR	1,00			--
0032	LAFN06823		SPACER CUSCINETTI ALB.SP.AZ.CENT.	1,00			--
0033	CMCV75904	21251000	BRAKE SHEATH TK 1000E/S	1,00			--
0034	CMCV00451		CABLE -	1,00			--
0035	LAFN76659	22301012	PIN REGISTR.CAVO ALZA SPAZZ.	1,00			--
0036	VTDD86871	1105127	NUT UNI 5589 M7 ZB	1,00			--
0037	VTVT62920	1105162	SCREW TE FR 6X16 ZB ZIGRINATE	3,00			--
0038	CMCV75718	11051101	CLIP UNI 1676 M8	1,00			--
0039	CUVR00005	1390009	BEARING 6202 2RS	1,00			--
0040	VTAE17002	SL11033	CIRCLIP D. 35 UNI 7437	1,00			--
0041	VTAE17002	SL11033	CIRCLIP D. 35 UNI 7437	1,00			--
0042	CUVR00005	1390009	BEARING 6202 2RS	1,00			--
0043	VTAE17002	SL11033	CIRCLIP D. 35 UNI 7437	1,00			--
0044	VTAE17003	1105405	CIRCLIP ESTERNO DIN 471 D.15	1,00			--



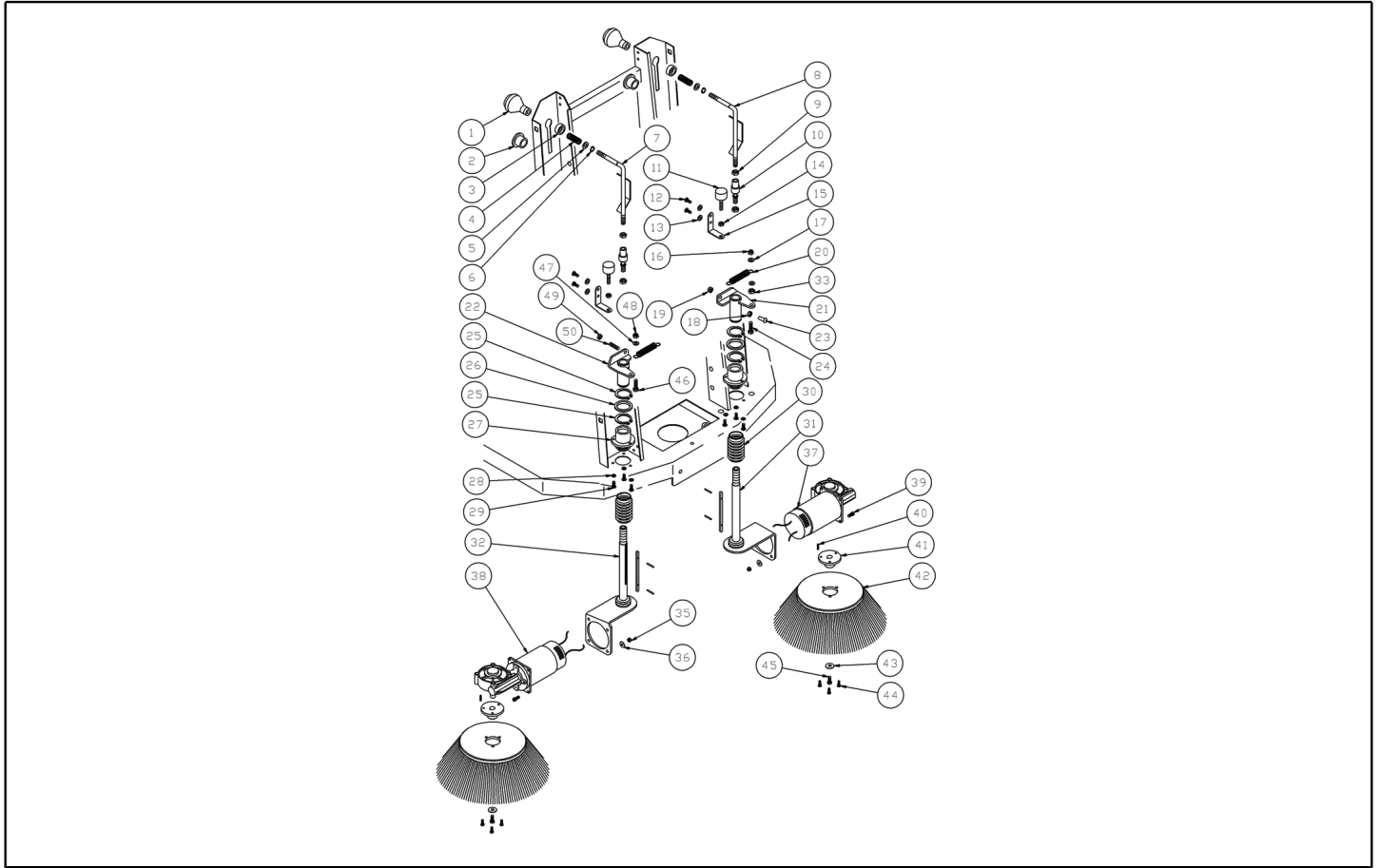
Ref. K	Part n.	Part n. 2	Description	Quantity	Validity		Price
					From	To	
0045	LAFN00091	21101024	BUSHING PER PULEGGIA TRAINO	1,00			--
0046	VTVT63129	1105181	SCREW TE FR 8X16 ZB ZIGRINATE	1,00			--
0047	MLML87162	2205009	SPRING CON GANCI D.17X2X150 ZB	1,00			--
0048	LAFN00464	22301008	PIN MOLLA RITORN.SPAZZ.CENTR.	1,00			--
0049	VTRS00504	05242	WASHER D. 8 ZC. UNI 6592	1,00			--
0050	VTDD00124	SL05001	NUT M 8 BASSO	1,00			--
0051	LAFN08197		ARM -	1,00			--
0052	VTVR28706	1105472	KEY UNI 6604 6X6X20	1,00			--
0053	MPVR85319	21101013	BUSHING INTERNA SUPPORTO BILANC.	1,00			--
0054	MPVR85319	21101013	BUSHING INTERNA SUPPORTO BILANC.	1,00			--
0055	VTRS00509	05115	WASHER D.20 PIANA Z. UNI6592	1,00			--
0056	VTAE06193	RP06193	CIRCLIP D. 20 UNI 7435	1,00			--
0057	LAFN36064		CLOSURE BRUSH COMPARTMENT	1,00			--
0058	LAFN00699	22601027	CLAMP BRACCIO BLOC.SPAZZ.TK1000	1,00			--
0059	VTRS00514	1105367	WASHER UNI 6593 10X30X2,5 ZB	1,00			--
0060	VTVT47025	1105232	SCREW TBCE ISO 7380 10X16 ZB	1,00			--
0061	CUVR17004	SL12018	BALL BEARING 6202 -2RS1	1,00			--
0062	VTVR13165	1105467	KEY UNI 6604 5X5X20	1,00			--
0063	MLML00295		SPRING SPAZZOLA CENTRALE	1,00			--
0064	LAFN08198		SHAFT -	1,00			--
0065	CUVR17004	SL12018	BALL BEARING 6202 -2RS1	1,00			--
0066	VTAE17002	SL11033	CIRCLIP D. 35 UNI 7437	1,00			--
0067	LAFN06823		SPACER CUSCINETTI ALB.SPAZ.CENT.	1,00			--
0068	MPVR04915		HUB CENTRAL BRUSH 1404	1,00			--
0069	VTRS04026		WASHER D. 6X18X2,38	1,00			--
0070	VTVT62920	1105162	SCREW TE FR 6X16 ZB ZIGRINATE	1,00			--
0071	VTVT01128		SCREW TCCE UNI 5931 12X120 ZB	1,00			--
0072	MPVR04923		SUPPORT SPAZZOLA CENTRALE	1,00			--
0073	LAFN06782		BUSHING PER CUSCINETTO	1,00			--
0074	CUVR17004	SL12018	BALL BEARING 6202 -2RS1	1,00			--
0075	CUVR17004	SL12018	BALL BEARING 6202 -2RS1	1,00			--
0076	LAFN06783		BUSHING PER CUSCINETTO 1	1,00			--
0077	VTRS00553		WASHER PARAPOLVERE	1,00			--
0078	VTAE17002	SL11033	CIRCLIP D. 35 UNI 7437	1,00			--
0079	RTRT00022	1320018	HANDWHEEL D.30 M6X15	2,00			--
0080	LAFN06836		PIN CENTRAGGIO PROTEZIONE	1,00		03/09/2015	--
0080	LAFN09473		BUSHING -	1,00	04/09/2015		--
0081	LAFN08193		ARM -	1,00			--
0082	VTRS00506	05126	WASHER D.12 UNI 6592	1,00			--
0083	VTDD00012	1105136	NUT AUTOBLOK DIN 985 M12 ZB	1,00			--
0084	VTVR00047	1320099	HANDWHEEL D.50 M8	1,00			--
0085	VTRS00504	05242	WASHER D. 8 ZC. UNI 6592	2,00			--
0086	VTDD00491		NUT M 6 TEF	2,00			--
0087	VTVT00046	1105484	GRUB SCREW UNI 5923 8X35 ZB	1,00			--



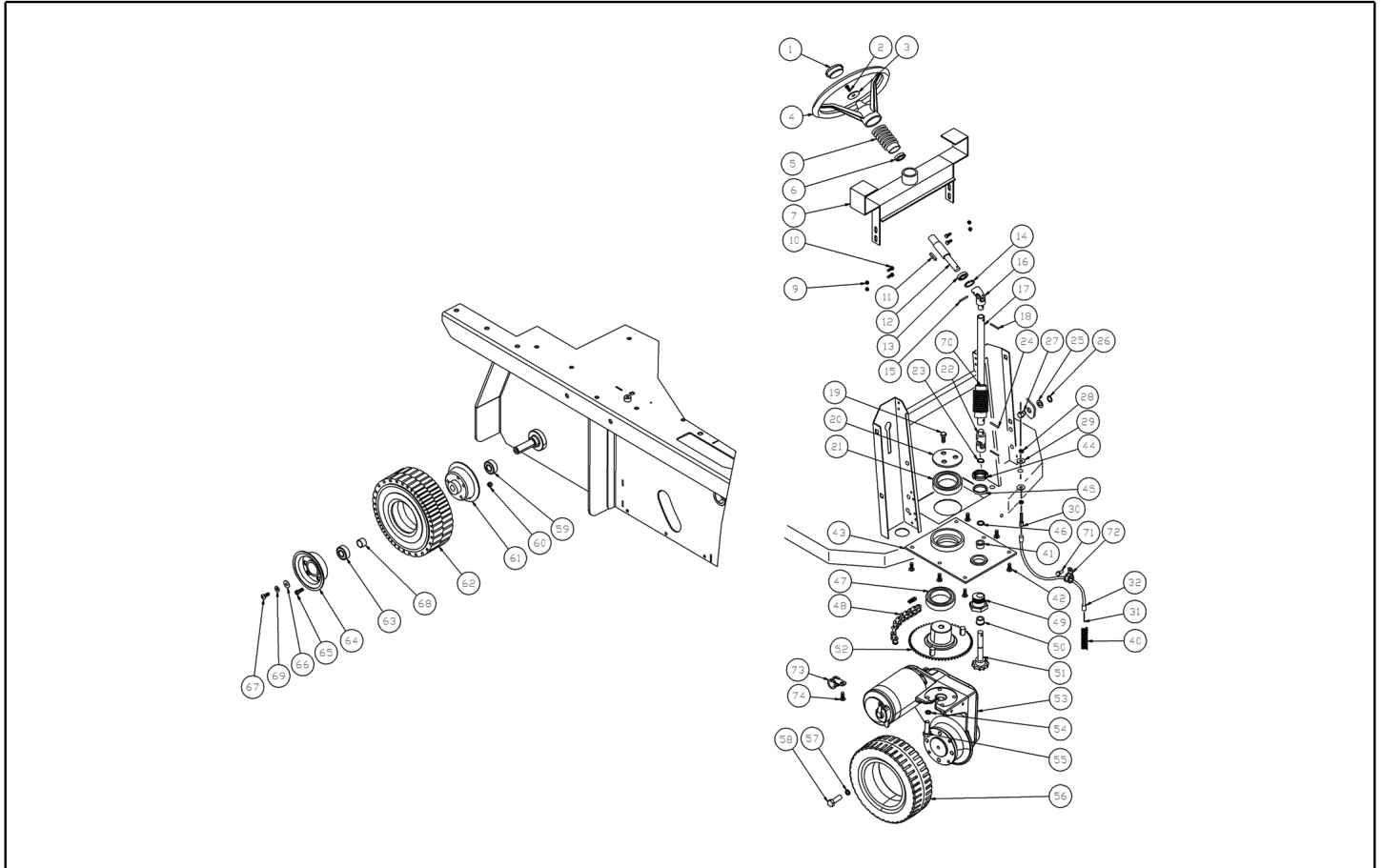
Ref. K	Part n.	Part n. 2	Description	Quantity	Validity		Price
					From	To	
0088	LAFN08826		REGISTER -	1,00	19/05/2015		--
0089	VTDD00483	05092	NUT M 8 ZIN UNI 5588	1,00	19/05/2015		--
0090	VTRS00504	05242	WASHER D. 8 ZC. UNI 6592	2,00	19/05/2015		--
0091	VTDD00124	SL05001	NUT M 8 BASSO	1,00	19/05/2015		--
0092	MEVR02899		FUSE CIRCUIT BREAKER 35A	1,00	13/12/2016		--
0093	VTVT00722	SL04179	SCREW	2,00	13/12/2016		--
0094	VTDD00210		NUT M 3 AUTOBL.DIN 985 IX.A2	2,00	13/12/2016		--



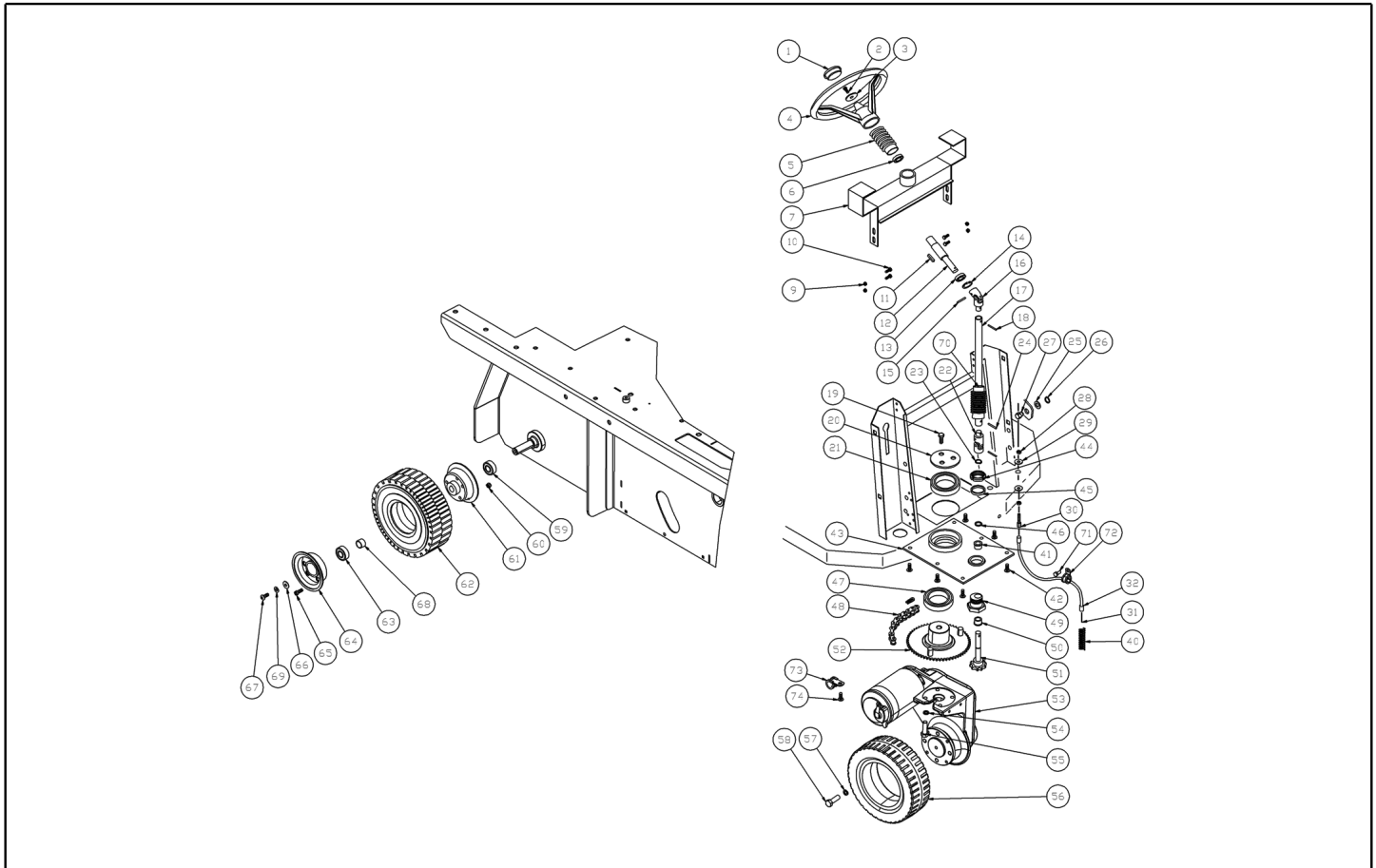
Ref. K	Part n.	Part n. 2	Description	Quantity	Validity		Price
					From	To	
0001	MPVR87264	23201008	KNOB ALZASPAZ.LATERALE TK1000	2,00			--
0002	MPVR47076	21101016	BUSHING DI FERMO BRACCIO LAT.	2,00			--
0003	MPVR47074	21101015	BUSHING FERMO ALZASPAZ.LAT.INT.	2,00			--
0004	MLML47075	22051004	SPRING LEVA SPAZ.LAT.D.15X1,5X24	2,00			--
0005	VTRS00505	05116	WASHER D.10 UNI 6592	2,00			--
0006	VTAE87276	1105410	SEEGER EXT. D10 DIN471	2,00			--
0007	LAFN00700	22601028	ARM DX ALZA SPAZ. TK1000 ZINC	1,00			--
0008	LAFN87265	22601030	ARM SX ALZA SPAZ.LAT.TK1000zn	1,00			--
0009	VTDD00484	05101	NUT M10 ZIN UNI 5588	2,00		29/12/2014	--
0009	VTDD00008	1105129	NUT M10 UNI 5589 ZB	4,00	30/12/2014		--
0010	VTVR47072	1155005	ARTICULATION ASSIALE M10	2,00			--
0011	MPVR75799	1370003	FOOT 20X9 M6X18	2,00		29/12/2014	--
0011	ABGO00008	1370012	VIBRATION DAMP. PM 20X20 M6X20	2,00	30/12/2014		--
0012	VTVT75726	1105236	SCREW TBCE ISO 7380 6X16 ZB	4,00			--
0013	VTRS04026		WASHER D. 6X18X2.38	4,00			--
0014	VTDD00482	05096	NUT M 6 ZIN UNI 5588	2,00			--
0015	MPVR86579	21501101	SUPPORT TK	2,00			--
0016	VTDD00124	SL05001	NUT M 8 BASSO	2,00			--
0017	VTRS00504	05242	WASHER D. 8 ZC. UNI 6592	2,00			--
0018	VTDD00483	05092	NUT M 8 ZIN UNI 5588	1,00			--
0019	VTDD00124	SL05001	NUT M 8 BASSO	1,00			--
0020	MLML00015	22051006	SPRING RIT.BR.LAT.D.19X3,25X57zb	2,00			--
0021	LAFN08975		GUIDE -	1,00			--
0022	LAFN08974		GUIDE -	1,00			--
0023	VTVT75724	1105231	SCREW TBCE ISO 7380 8X22 ZB	1,00			--
0024	VTVT00447	05003	SCREW TE 8X25 UNI5739	1,00			--
0025	VTAE12644	1105419	CIRCLIP ESTERNO DIN 471 D.30	4,00			--
0026	LAFN47081	21301004	SPACER PROT.SEEGER SPAZ.LAT 1000	2,00			--
0027	LAFN08973		FLANGE -	2,00			--
0028	VTRS00504	05242	WASHER D. 8 ZC. UNI 6592	6,00			--
0029	VTVT75725	1105234	SCREW TBCE ISO 7380 6X10 ZB	6,00			--
0030	MPVR47066	13201005	PROTECTOR X ALBERO SPAZZOLA TK1000	2,00			--
0031	LAFN08196		SUPPORT -	1,00			--
0032	LAFN08195		SUPPORT -	1,00			--
0033	VTDD00483	05092	NUT M 8 ZIN UNI 5588	1,00			--
0035	VTDD00491		NUT M 6 TEF	8,00		10/11/2016	--
0036	VTRS00503	05118	WASHER D. 6 UNI 6798	8,00			--
0037	RDGR75785	1340024	MOTOR.GEARBOX AOMPI40 24V 90W SX TK1000	1,00		22/03/2015	--
0037	MOCC00443		MOTOR LEFT SIDE BRUSH MOT.1250B	1,00	23/03/2015		--
0038	RDGR75784	1340016	MOTOR.GEARBOX AOMPI40 24V 90W DX TK1000	1,00		22/03/2015	--
0038	MOCC00442		MOTOR RIGHT SIDE BRUSH MOT.1250	1,00	13/03/2015		--
0039	VTVT06237	1105506	SCREW TCCE UNI 5931 6X20 ZB	8,00		10/11/2016	--
0039	VTVT09913	1105507	SCREW TCCE UNI 5931 6X16 ZB	8,00	11/11/2016		--
0040	VTVR33667	1105464	KEY UNI 6604 5X5X25	2,00			--



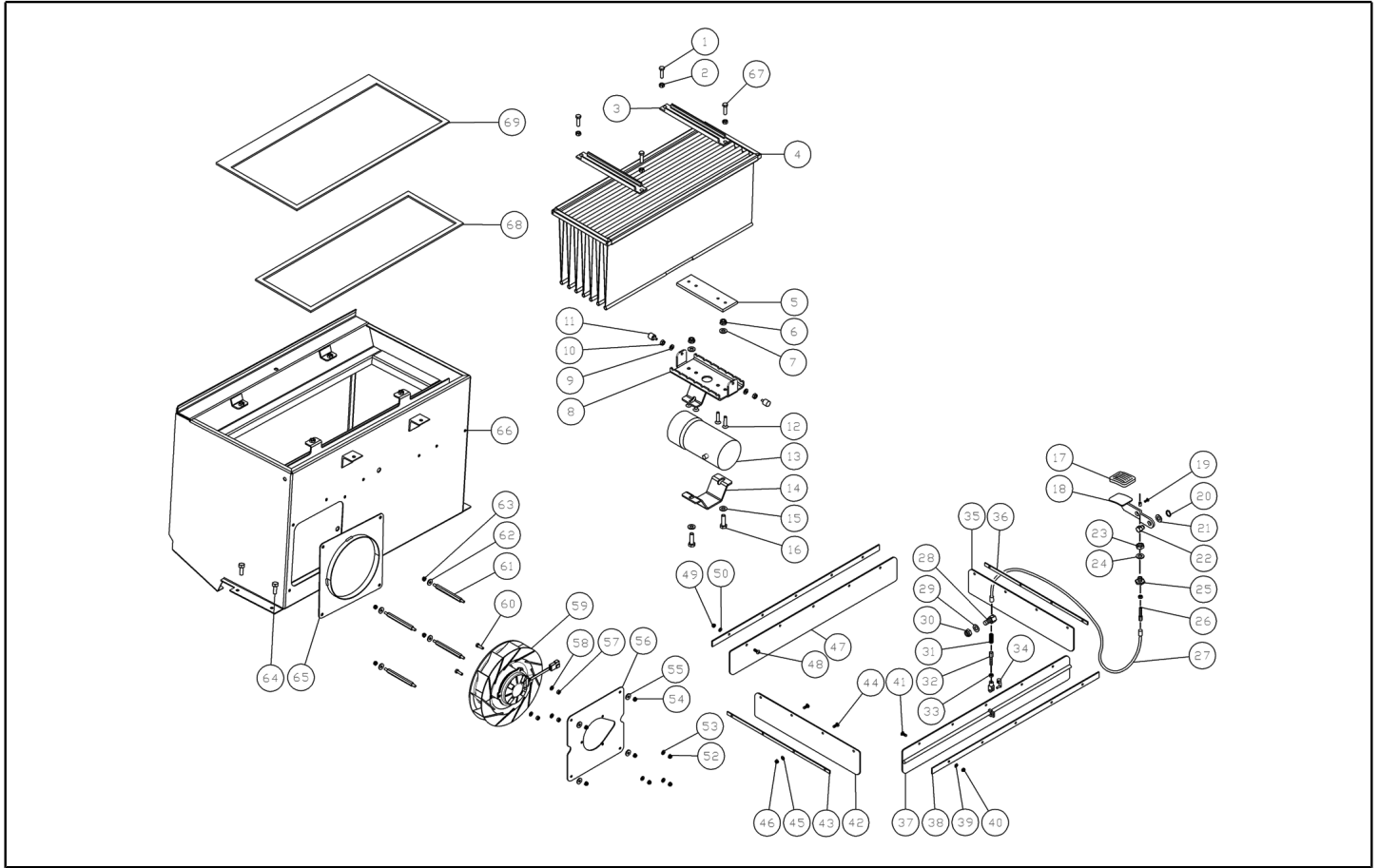
Ref. K	Part n.	Part n. 2	Description	Quantity	Validity		Price
					From	To	
0041	LAFN45010	21501005	FLANGE FISS.SPAZZ.LAT.TK1000	2,00			--
0042	SPPV00018	1350047	SIDE-BRUSH 1202-1250-1280	2,00			--
0043	VTRS63242	1105325	WASHER UNI 6593 6X24X2 ZB	2,00			--
0044	VTVT62920	1105162	SCREW TE FR 6X16 ZB ZIGRINATE	6,00			--
0045	VTVT00527		SCREW TE FR 6X10 ZB ZIG.	2,00			--
0046	VTVT63129	1105181	SCREW TE FR 8X16 ZB ZIGRINATE	1,00			--
0047	VTRS00504	05242	WASHER D. 8 ZC. UNI 6592	1,00			--
0048	VTDD00492	1105788	NUT AUTOBLOK DIN 982 M8 ALTO	1,00			--
0049	VTDD00483	05092	NUT M 8 ZIN UNI 5588	1,00			--
0050	VTVT00046	1105484	GRUB SCREW UNI 5923 8X35 ZB	1,00			--



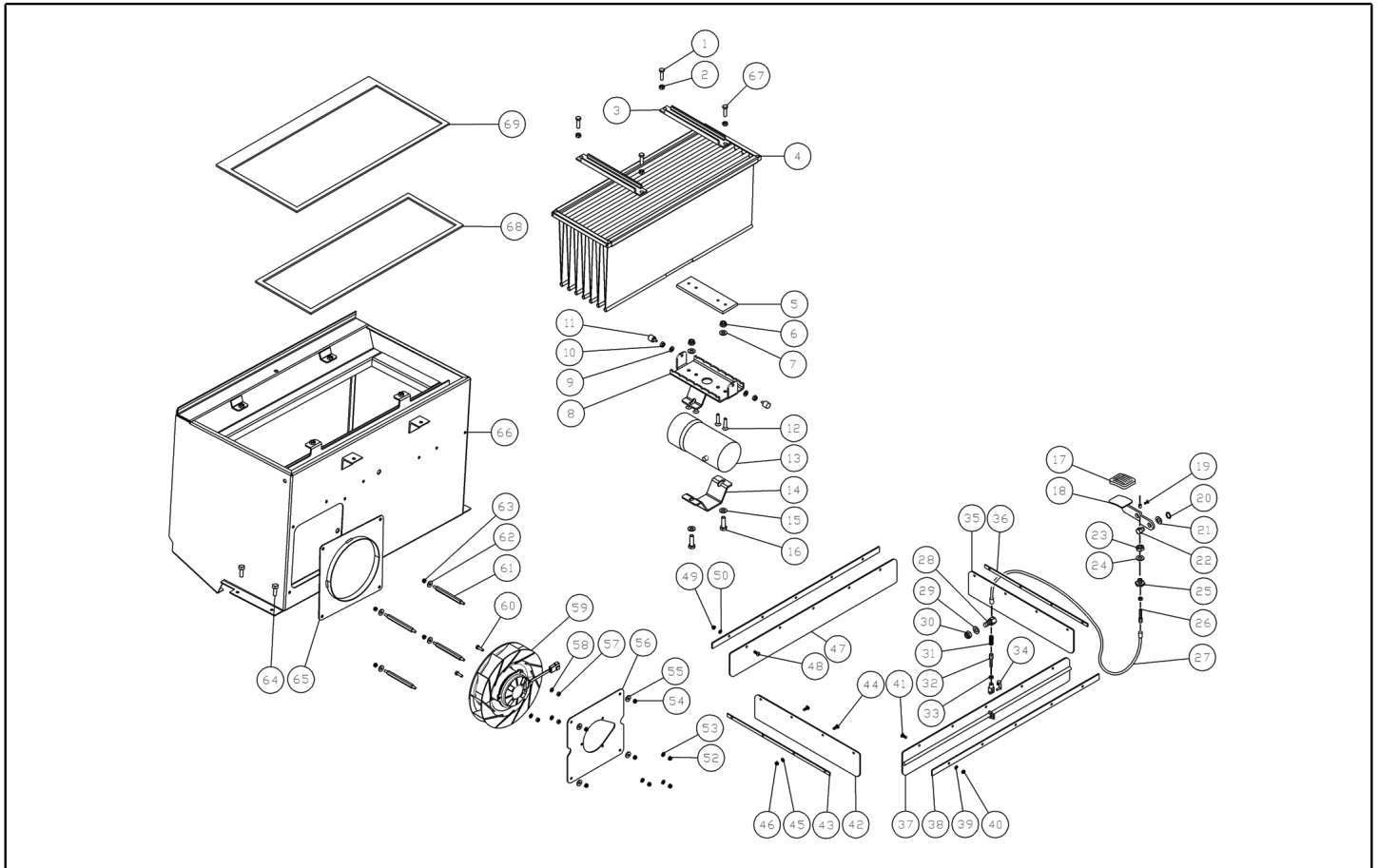
Ref. K	Part n.	Part n. 2	Description	Quantity	Validity		Price
					From	To	
0001	MPVR47026	13201002	CAP PER VOLANTE	1,00			--
0002	VTVT47025	1105232	SCREW TBCE ISO 7380 10X16 ZB	1,00			--
0003	VTRS44254	1105329	WASHER UNI 6593 10X40X2,5 ZB	1,00			--
0004	MPVR47027	13201001	STEERING WHEEL D.320 SENZA POMELLO	1,00			--
0005	MPVR47066	13201005	PROTECTOR X ALBERO SPAZZOLA TK1000	1,00			--
0006	CUVR00005	1390009	BEARING 6202 2RS	1,00			--
0007	LAFN09337		SUPPORT 1250-1280	1,00			--
0009	VTDD07887		NUT M 6 SERPRESS	4,00			--
0010	VTVT62920	1105162	SCREW TE FR 6X16 ZB ZIGRINATE	4,00			--
0011	VTVR13164	1105460	KEY UNI 6604 5X5X30	1,00			--
0012	ALTR00011	21001003	SHAFT PER VOLANTE TK1000	1,00			--
0013	CUVR00005	1390009	BEARING 6202 2RS	1,00			--
0014	VTAE17002	SL11033	CIRCLIP D. 35 UNI 7437	1,00			--
0015	VTVR46987	1105603	ELASTIC PLUG DIN 1481 5X25	1,00		01/05/2017	--
0015	VTVR00327		PLUG -	1,00	02/05/2017		--
0016	VTVR00562		ARTICULATION -	1,00			--
0017	PMTR00021	23101038	SHAFT STERZO 1000 T.NUOVO COMPL	1,00			--
0018	VTVR46987	1105603	ELASTIC PLUG DIN 1481 5X25	1,00		01/05/2017	--
0018	VTVR00327		PLUG -	1,00	02/05/2017		--
0019	VTVT00014	1105063	SCREW TE UNI 5739 8X20 CL.10.9	3,00			--
0020	LAFN47004	21051011	WASHER BLOCCA RAL	1,00			--
0021	CUVR75816	1390019	BEARING 51112	1,00			--
0022	VTVR00562		ARTICULATION -	1,00			--
0023	VTAE17003	1105405	CIRCLIP ESTERNO DIN 471 D.15	1,00			--
0024	VTVR46987	1105603	ELASTIC PLUG DIN 1481 5X25	1,00		01/05/2017	--
0024	VTVR00327		PLUG -	1,00	02/05/2017		--
0025	VTRS00506	05126	WASHER D.12 UNI 6592	1,00			--
0026	VTAE14016	1105420	SEEGER ESTERNO DIN 471 D.12	1,00			--
0027	LAFN75973	22301003	PIN FISSAG.CAVI FERMA FLAP	1,00			--
0028	VTDD00482	05096	NUT M 6 ZIN UNI 5588	2,00			--
0029	VTRS04026		WASHER D. 6X18X2.38	2,00			--
0030	CMCV02396	RP02396	REGISTER CH. 8X 6MAX30	1,00			--
0031	CMCV00468		CABLE 1250-1280 E-DP	1,00			--
0032	CMCV00467		SHEATH 1250-1280 E-DP	1,00			--
0040	MLML00033	2205400	SPRING ALZAFLAP SILVER ZB	1,00			--
0041	LAFN75841	21101002	BUSHING CENTR.PIGNONE RUOTA ANT.	1,00			--
0042	VTVT00456	1105522	SCREW TE UNI 5739 10X25 ZB	6,00			--
0043	LAFN85521	21501004	FLANGE FISSAG.RUOTA ANT.TK1000zn	1,00			--
0044	VTVR75747	1165009	RING NUT AUTOBLOK M35X1,5 GUK	1,00			--
0045	LAFN75913	21301003	SPACER BOCCOLA ECCENTRICA TK1000	1,00			--
0046	MPVR75734	1105952	THICKNESS 15X22X0,5	1,00			--
0047	CUVR75816	1390019	BEARING 51112	1,00			--
0048	MTCR85008	23301001	CHAIN SWEEP 1000 ET	1,00			--
0049	LAFN75842	21101004	BUSHING ECCNTRICA TENDICATENA	1,00			--



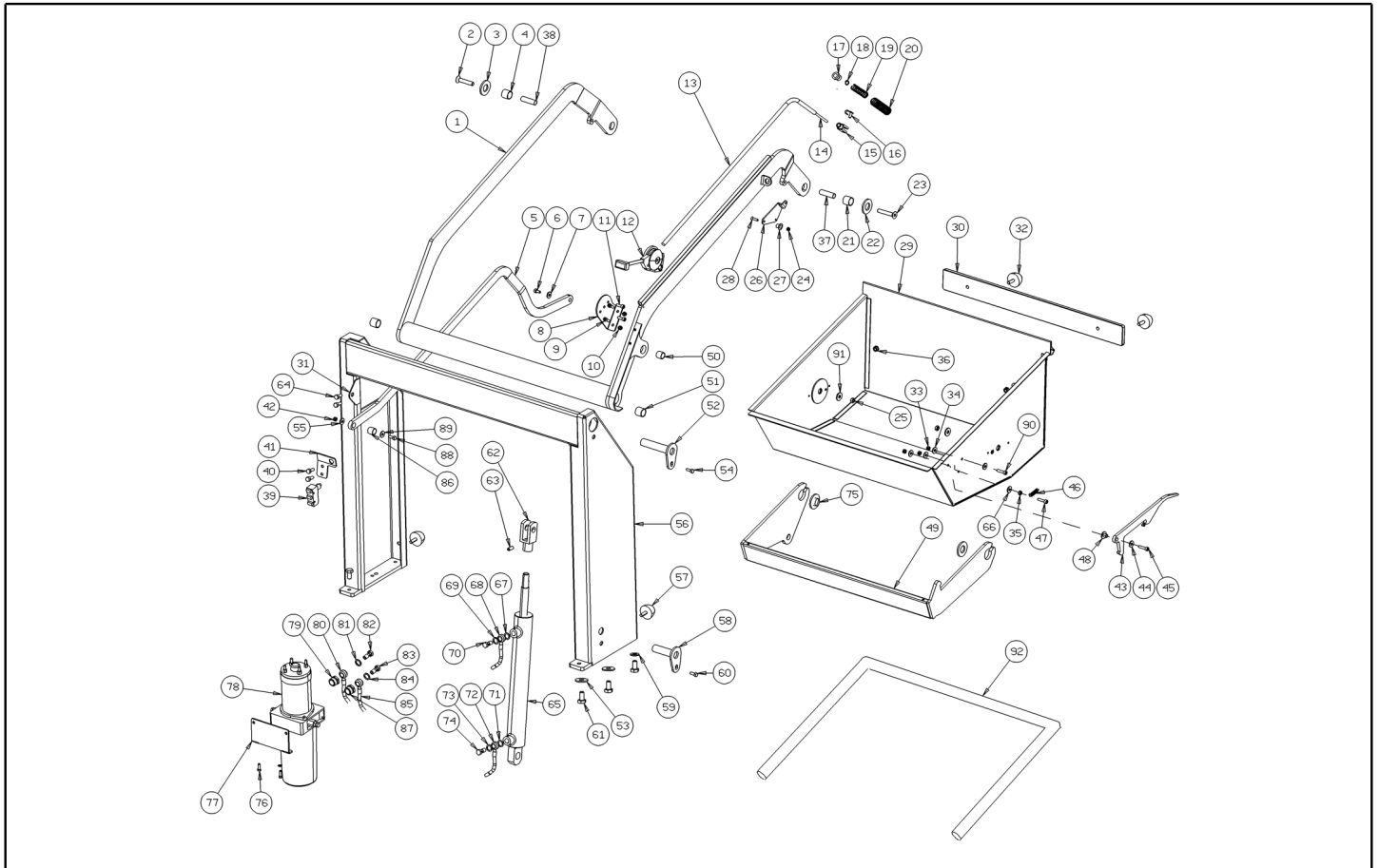
Ref. K	Part n.	Part n. 2	Description	Quantity	Validity		Price
					From	To	
0050	LAFN75841	21101002	BUSHING CENTR.PIGNONE RUOTA ANT.	1,00			--
0051	KTRI46514	23151000	ECCENTRIC BUSH. TK1000 COMPLETA	1,00			--
0052	LAFN08185		BRAKE -	1,00			--
0053	MOCC00434		MOTORWHEEL WITH BRAKE 1250	1,00			--
0054	VTRS00107	75046	WASHER M10 Grover	4,00			--
0055	VTVT00456	1105522	SCREW TE UNI 5739 10X25 ZB	4,00			--
0056	RTRT00548		WHEEL FRONT 1250-1280 E-DP	1,00			--
0057	VTRS15919		WASHER D.12 GROVER UNI 1751 INX	4,00			--
0058	VTVT00025	1105092	SCREW TE UNI 5739 12X16 ZB	4,00			--
0059	CUVR00008	1390018	BEARING 6003 2RS	2,00		24/07/2016	--
0059	CUVR00104	SL12030	BEARING SKF 6003- 2RSH	2,00	25/07/2016		--
0060	VTDD00124	SL05001	NUT M 8 BASSO	10,00			--
0061	LAFN85380	22501005	HUB RUOTA POST.D124 H.33.5	2,00			--
0062	KTRI75744	1160075	WHEEL ANTER./POSTER.TK 1000	2,00			--
0063	CUVR00008	1390018	BEARING 6003 2RS	2,00		24/07/2016	--
0063	CUVR00104	SL12030	BEARING SKF 6003- 2RSH	2,00	25/07/2016		--
0064	LAFN85290	22501004	HUB ruota 124x57.5	2,00			--
0065	VTVT00066	1105517	SCREW TCCE UNI 5931 8X25 ZB	10,00			--
0066	VTRS00512	RS01113	WASHER D. 8 X24 ZC.	2,00			--
0067	VTVT01110	05000	SCREW TE 8X16 UNI5739	2,00			--
0068	LAFN00275	21301024	SPACER INTERNO RUOTA POST.TK1300	2,00			--
0069	VTRS01080	05136	WASHER D. 8 GRW	2,00			--
0070	MPVR47066	13201005	PROTECTOR X ALBERO SPAZZOLA TK1000	1,00			--
0071	VTVT62920	1105162	SCREW TE FR 6X16 ZB ZIGRINATE	1,00			--
0072	FSVR00005	1500017	CLAMP TIPO "ECO"FORO MM8 D.1 W0	1,00			--
0073	FSVR00043	70985	CLAMP d.16	1,00			--
0074	VTVT62920	1105162	SCREW TE FR 6X16 ZB ZIGRINATE	1,00			--



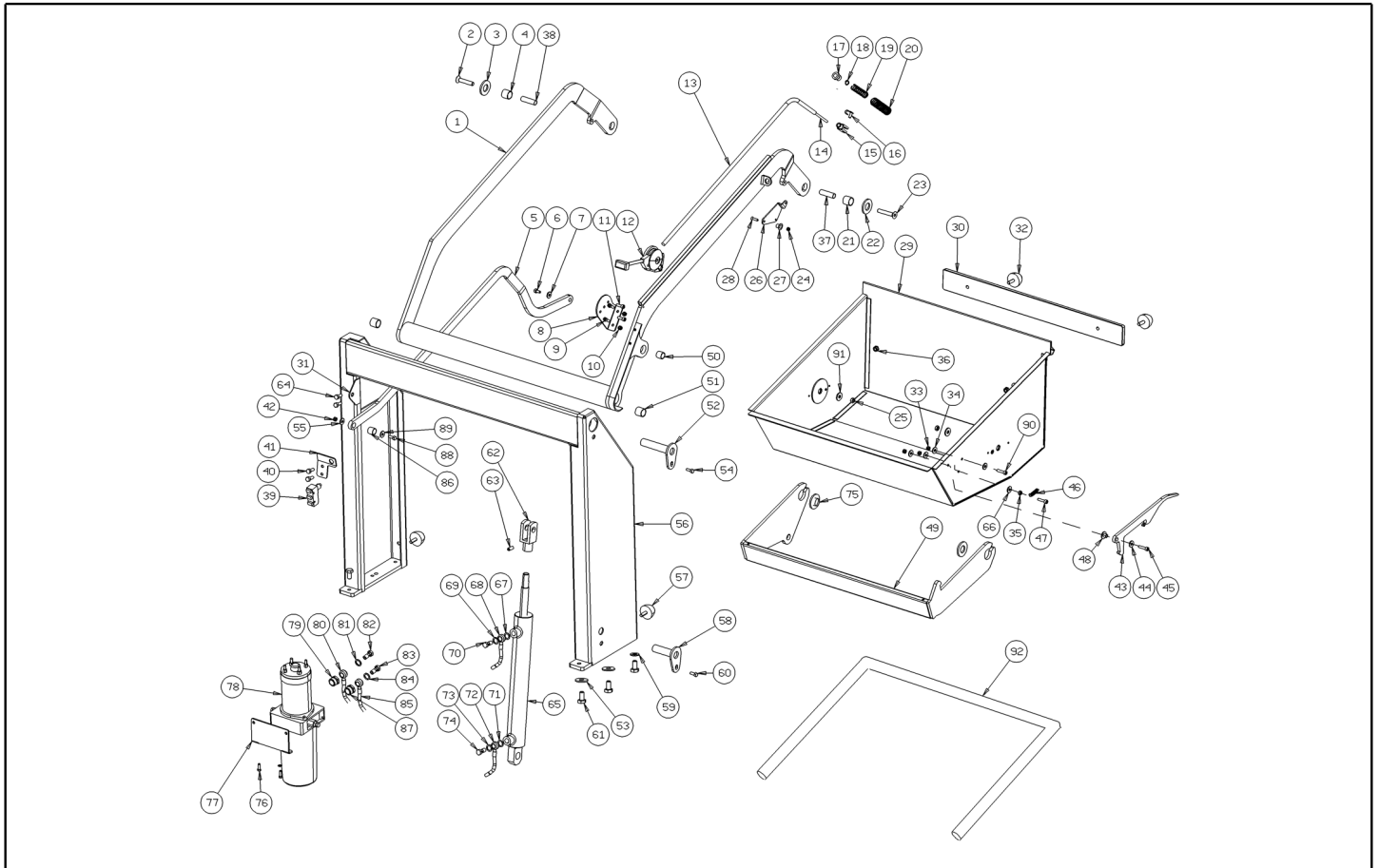
Ref. K	Part n.	Part n. 2	Description	Quantity	Validity		Price
					From	To	
0001	VTVT00447	05003	SCREW TE 8X25 UNI5739	2,00			--
0002	VTDD00483	05092	NUT M 8 ZIN UNI 5588	4,00			--
0003	LAFN08903		BRACKET -	2,00			--
0004	FTDP00214		FILTER PLEATED POLYESTER 1280	1,00			--
0005	LAFN08921		PLATE -	1,00			--
0006	VTDD00042	SL05032	NUT AUT.M10 UNI7474	2,00			--
0007	VTRS00505	05116	WASHER D.10 UNI 6592	2,00			--
0008	LAFN08917		BRACKET -	1,00			--
0009	VTRS00503	05118	WASHER D. 6 UNI 6798	2,00			--
0010	VTDD00491		NUT M 6 TEF	2,00			--
0011	ABGO00013	1370014	VIBRATION DAMP. 25x25 M6x25	2,00			--
0012	VTVT00427		SCREW TSPEI 8X35 UNI5933 INX	4,00			--
0013	MOCC00391		MOTOR	1,00			--
0014	LAFN06718		BRACKET -	1,00			--
0015	VTRS00505	05116	WASHER D.10 UNI 6592	2,00			--
0016	VTVT00458	75018	SCREW TE M 10X35 ZINC. UNI 5739	2,00			--
0017	MPVR45096	13201007	PEDAL COVER GRANDE V1021	1,00			--
0018	LAFN76008	22601001	PEDAL ALZAFLAP TK1000 ZINCATO	1,00			--
0019	VTVR00028	1125013	CLAMP PER CASSETTO G1300	1,00			--
0020	VTAE14016	1105420	SEEGER ESTERNO DIN 471 D.12	1,00			--
0021	VTRS00506	05126	WASHER D.12 UNI 6592	1,00			--
0022	LAFN75973	22301003	PIN FISSAG.CAVI FERMA FLAP	1,00			--
0023	VTDD01682	05103	NUT M12 ZC UNI 5588	1,00			--
0024	VTRS00505	05116	WASHER D.10 UNI 6592	1,00			--
0025	LAFN75975	22301009	PIN CENTRAG.FILO PEDALE FRENO	1,00			--
0026	CMCV75723	1105229	REGISTER D.7	1,00			--
0027	CMCV75905	21251002	SHEATH X CABLE	1,00			--
0028	LAFN75976	22301013	PIN GUIDA MOLLA ALZAFLAP 1000	1,00			--
0029	VTRS00506	05126	WASHER D.12 UNI 6592	1,00			--
0030	VTDD00012	1105136	NUT AUTOBLOK DIN 985 M12 ZB	1,00			--
0031	MLML75962	22051001	SPRING ALZAFLAP D.11,5X1,5 ZB	1,00			--
0032	CMCV45110	21251005	CORD D. 2.5 FLAP L.14	1,00			--
0033	VTDD00482	05096	NUT M 6 ZIN UNI 5588	1,00			--
0034	CMCV75717	11051100	CLIP UNI 1676 M6	1,00			--
0035	MPVR75936	21601004	FLAP LH-RH SIDES TK1000	1,00			--
0036	LAFN00305	21501008	CLAMP FLAP DX/SX TK1000 NERO	1,00			--
0037	MPVR75935	21601003	FLAP FRONT TK1000 MODELS	1,00			--
0038	LAFN86529	21501007	CLAMP FLAP ANT/POST TK1000 NERO	1,00			--
0039	VTRS00503	05118	WASHER D. 6 UNI 6798	8,00			--
0040	VTDD00491		NUT M 6 TEF	8,00			--
0041	VTVT75721	1105222	SCREW TTDE UNI 5732 6X16 ZB	8,00			--
0042	MPVR75936	21601004	FLAP LH-RH SIDES TK1000	1,00			--
0043	LAFN00305	21501008	CLAMP FLAP DX/SX TK1000 NERO	1,00			--
0044	VTVT75721	1105222	SCREW TTDE UNI 5732 6X16 ZB	5,00			--



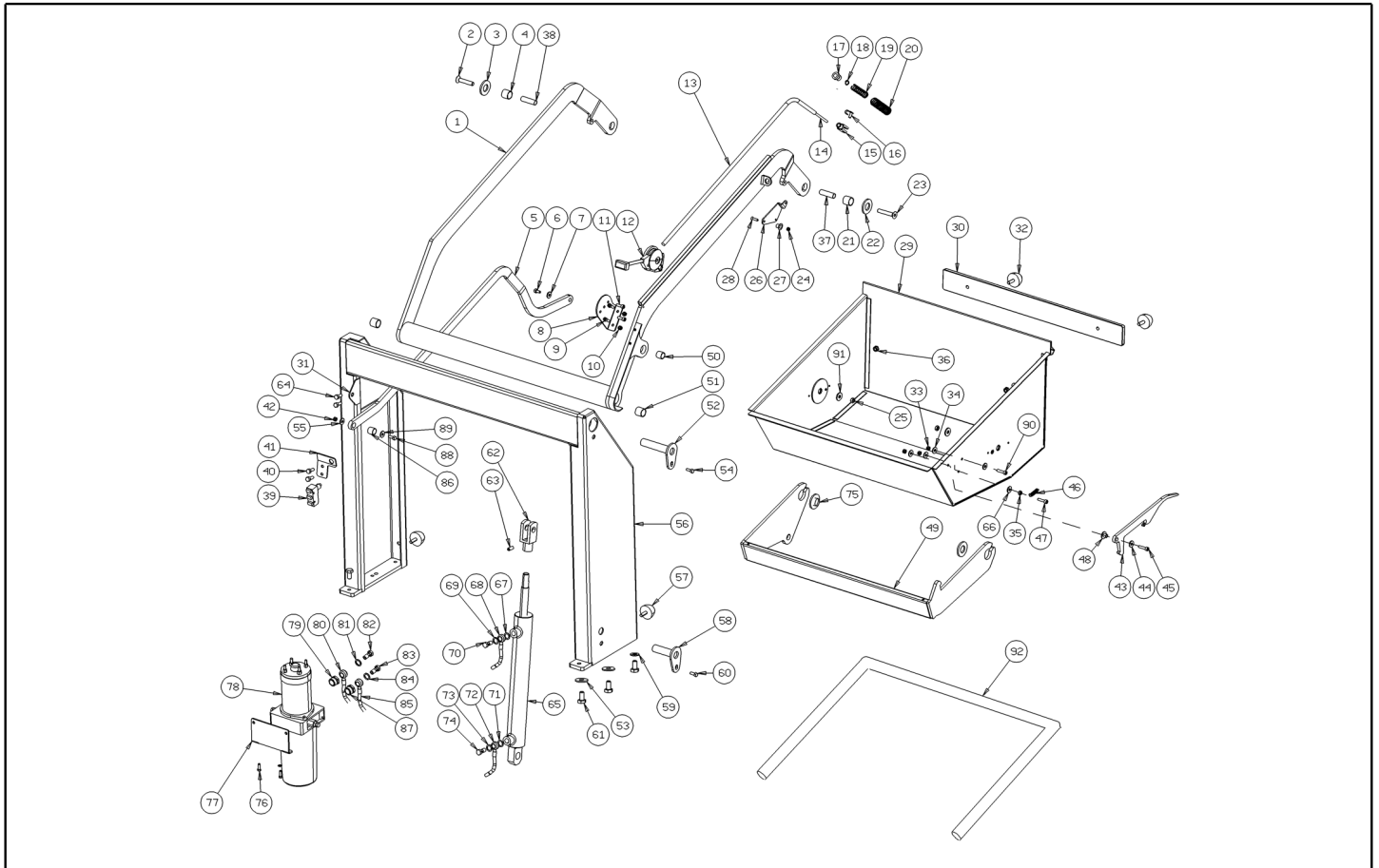
Ref. K	Part n.	Part n. 2	Description	Quantity	Validity		Price
					From	To	
0045	VTRS00503	05118	WASHER D. 6 UNI 6798	4,00			--
0046	VTDD00491		NUT M 6 TEF	4,00			--
0047	MPVR75934	21601002	FLAP REAR TK1000	1,00			--
0048	VTVT75721	1105222	SCREW TTDE UNI 5732 6X16 ZB	5,00			--
0049	VTDD00491		NUT M 6 TEF	5,00			--
0050	VTRS00503	05118	WASHER D. 6 UNI 6798	5,00			--
0052	VTDD00482	05096	NUT M 6 ZIN UNI 5588	3,00			--
0053	VTRS00503	05118	WASHER D. 6 UNI 6798	3,00			--
0054	VTDD00491		NUT M 6 TEF	4,00			--
0055	VTRS04026		WASHER D. 6X18X2.38	4,00			--
0056	LAFN06854		SHEET METAL PA. 1450	1,00			--
0057	VTDD00482	05096	NUT M 6 ZIN UNI 5588	3,00			--
0058	VTRS00503	05118	WASHER D. 6 UNI 6798	3,00			--
0059	VEVR00070		IMPELLER SUCTION MOTOR 1250-1450	1,00			--
0060	VTVT00444	05012	SCREW TE 6X20 UNI5739	3,00			--
0061	LAFN06757		SPACER 1450	4,00			--
0062	VTRS04026		WASHER D. 6X18X2.38	4,00			--
0063	VTDD00491		NUT M 6 TEF	4,00			--
0064	VTVT62920	1105162	SCREW TE FR 6X16 ZB ZIGRINATE	4,00			--
0065	LAFN08170		ADAPTER TK1000	1,00			--
0066	LAFN36060		FRAME SUPPORT POCKET FILTER	1,00			--
0067	VTVT00447	05003	SCREW TE 8X25 UNI5739	2,00			--
0068	KTRI01998		KIT -	1,00			--
0069	KTRI01997		KIT -	1,00			--



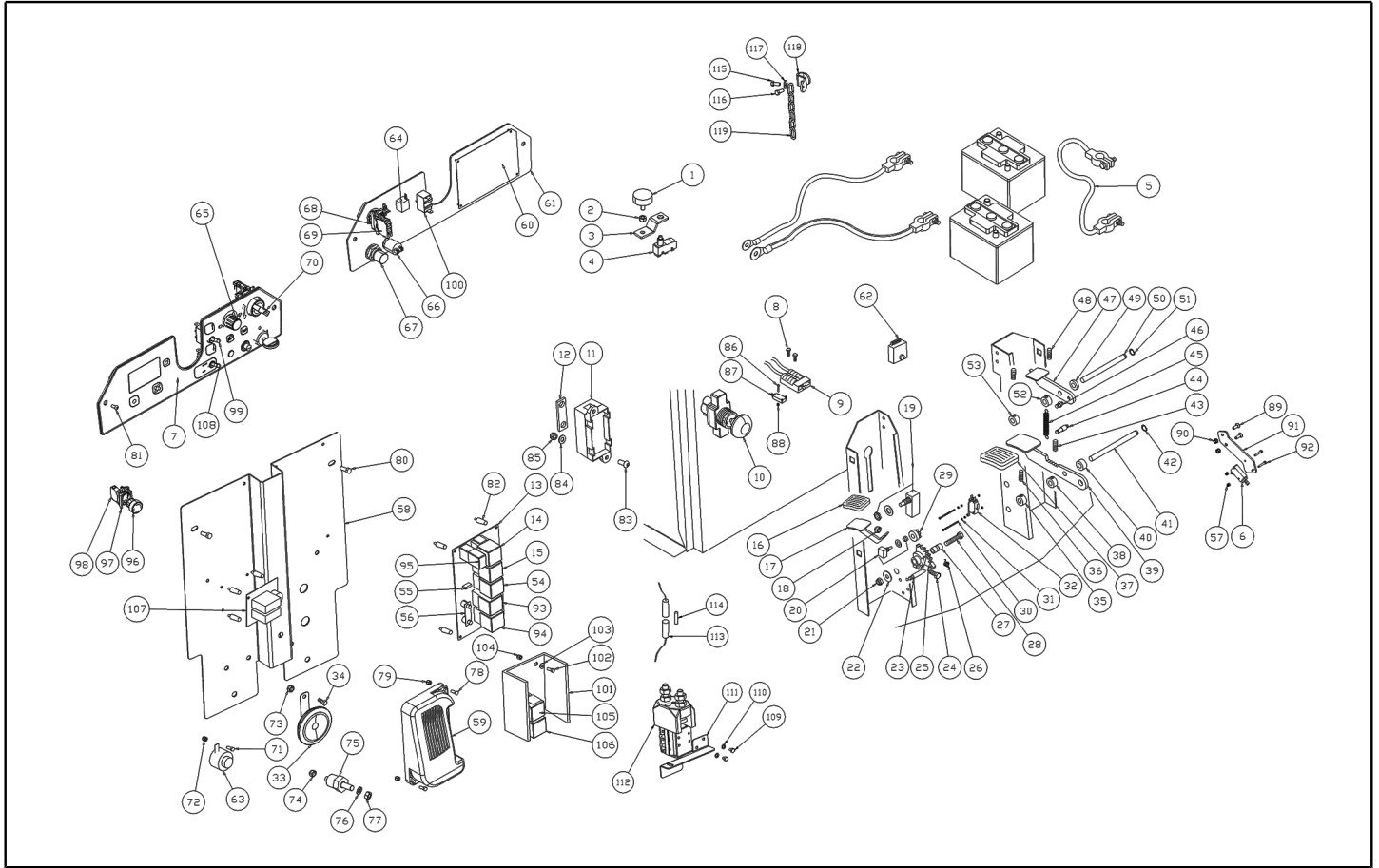
Ref. K	Part n.	Part n. 2	Description	Quantity	Validity		Price
					From	To	
0001	LAFN08188		ARM -	1,00			--
0002	VTVT01577	1105960	SCREW TSCE UNI 5933 8X50 ZB	1,00			--
0003	VTRS00506	05126	WASHER D.12 UNI 6592	1,00			--
0004	MPVR00010	1110011	BUSHING GLYCODUR GLY.PG 20-23-10F	1,00			--
0005	LAFN00778	22601192	ARM PARALELLOG.DX/SX 1300 ZN	1,00			--
0006	VTVT00678	SL04101	SCREW	1,00			--
0007	VTRS00505	05116	WASHER D.10 UNI 6592	1,00			--
0008	LAFN00243	21201167	COUPLING CAVO SGAN.CASSETTO 1300	1,00			--
0009	VTVT62920	1105162	SCREW TE FR 6X16 ZB ZIGRINATE	2,00			--
0010	VTDD00491		NUT M 6 TEF	2,00			--
0012	CMCV00040	21251024	LEVER SGANCIO CASSETTO G1300	1,00			--
0013	CMCV00039	21251023	SHEATH CASSETTO G1300	1,00		17/01/2016	--
0013	CMCV00452		SHEATH -	1,00	18/01/2016		--
0014	CMCV00038	21251022	CABLE CASSETTO G1300	1,00			--
0015	CMCV00006	11051007	FORK UNI 1676 M6X24	1,00			--
0016	CMCV00009	11051104	CLIP UNI 1676	1,00			--
0017	LAFN00854	22601337	CLAMP GUAINA SOLLEV.CASS.G1300	1,00			--
0018	VTAE17003	1105405	CIRCLIP ESTERNO DIN 471 D.15	1,00			--
0019	MLML75964	22051005	SPRING PORTACEPPO D.11,3X1,5X100	1,00			--
0020	MPVR00071	13201014	PROTECTOR X CASSETTO G1300	1,00			--
0021	MPVR00010	1110011	BUSHING GLYCODUR GLY.PG 20-23-10F	1,00			--
0022	VTRS00506	05126	WASHER D.12 UNI 6592	1,00			--
0023	VTVT01577	1105960	SCREW TSCE UNI 5933 8X50 ZB	1,00			--
0024	VTDD08171	75282	NUT M 5 TEF	1,00			--
0025	VTDD00124	SL05001	NUT M 8 BASSO	2,00			--
0026	LAFN00499	22301059	PIN SGANCIO RIBALT.CASS.COMPL	1,00			--
0027	LAFN00131	21101072	BUSHING X LEVA ATT.CAVO SGAN.CASS	1,00			--
0028	VTVT00075	1105560	SCREW TSCE UNI 5933 5X20 ZB	1,00			--
0029	LAFN08192		DRAWER -	1,00			--
0030	LAFN08199		BALLAST -	1,00			--
0031	LAFN08219		ARM -	1,00			--
0032	ABGO00041		VIBRATION DAMP.	2,00			--
0033	VTDD00491		NUT M 6 TEF	3,00			--
0034	VTRS04026		WASHER D. 6X18X2.38	3,00			--
0035	VTDD00482	05096	NUT M 6 ZIN UNI 5588	1,00			--
0036	VTDD00124	SL05001	NUT M 8 BASSO	2,00			--
0037	LAFN00494	22301053	PIN ROTAZIONE CASSETTO TK1300	1,00			--
0038	LAFN00494	22301053	PIN ROTAZIONE CASSETTO TK1300	1,00			--
0039	MECI75801	1380001	MICROSWITCH A PISTONE (MS/10-Z15GC)	1,00			--
0040	VTVT00527		SCREW TE FR 6X10 ZB ZIG.	2,00			--
0041	LAFN08206		BRACKET -	1,00			--
0042	VTDD00124	SL05001	NUT M 8 BASSO	1,00			--
0043	LAFN41006		LEVER SGANCIO	1,00			--
0044	VTRS04026		WASHER D. 6X18X2.38	1,00			--



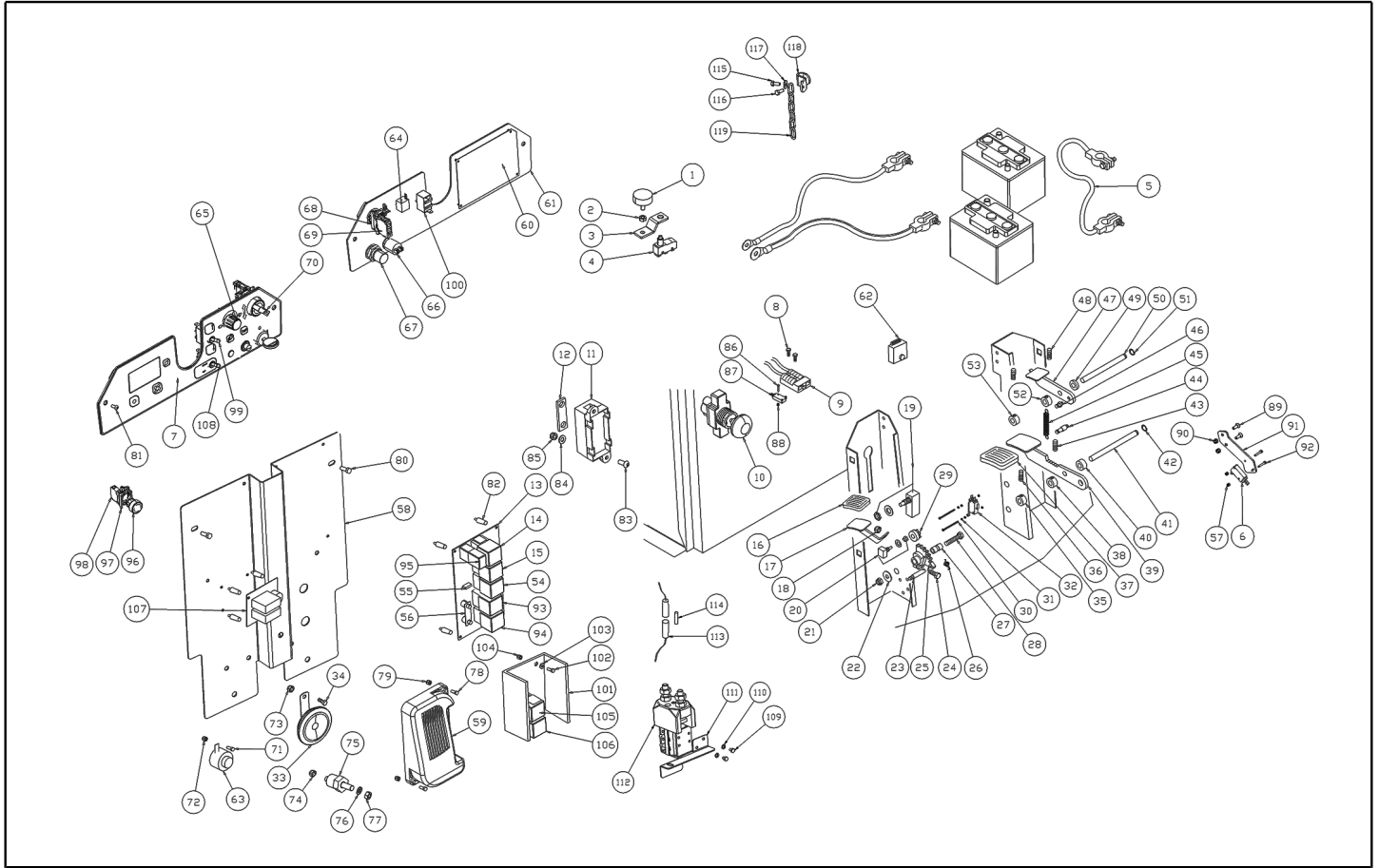
Ref. K	Part n.	Part n. 2	Description	Quantity	Validity		Price
					From	To	
0045	VTVT12255	1105516	SCREW TCCE UNI 5931 6X25 ZB	1,00			--
0046	MLML45109	22051010	SPRING ALZAFLAP TK1400	1,00			--
0047	VTVT06237	1105506	SCREW TCCE UNI 5931 6X20 ZB	1,00			--
0048	LAFN00132	21101073	BUSHING X LEVA SGANCIO CASSETTO	1,00			--
0049	LAFN08189		SUPPORT -	1,00			--
0050	MPVR00009	1110010	BUSHING GLYCODUR GLY.PG 16-18-15F	1,00			--
0051	MPVR00008	1110009	BUSHING GLYCODUR GLY.PG 20-23-20F	2,00			--
0052	LAFN00489	22301048	PIN X BRACCIO CASSETTO TK1300	2,00			--
0053	VTRS00514	1105367	WASHER UNI 6593 10X30X2,5 ZB	4,00			--
0054	VTVT63129	1105181	SCREW TE FR 8X16 ZB ZIGRINATE	2,00			--
0055	VTRS00512	RS01113	WASHER D. 8 X24 ZC.	1,00			--
0056	LAFN08187		BLOCK -	1,00			--
0057	ABGO00041		VIBRATION DAMP.	2,00			--
0058	LAFN00488	22301047	PIN INFERIORE CILIND.TK1300	1,00			--
0059	VTRS00505	05116	WASHER D.10 UNI 6592	2,00			--
0060	VTVT63129	1105181	SCREW TE FR 8X16 ZB ZIGRINATE	1,00			--
0061	VTVT00455	75084	SCREW TE 10X20 UNI5739	6,00			--
0062	CMC00004	11051005	FORK UNI 1676 M16X1,5 + PERNO	1,00			--
0063	VTVT75731	1105482	GRUB SCREW UNI 5923 6X5	1,00			--
0064	VTVT62920	1105162	SCREW TE FR 6X16 ZB ZIGRINATE	2,00			--
0065	PIID00001	1400003	PISTON SOLLEV.CASS.POST.TK1300	1,00			--
0066	VTRS04026		WASHER D. 6X18X2,38	1,00			--
0067	VTRS00037	1105958	WASHER IN DAWTY 1/8	1,00			--
0068	TBAP00251		FLEXIBLE HOSE	1,00			--
0069	VTRS00037	1105958	WASHER IN DAWTY 1/8	1,00			--
0070	RCDS47107	12901009	SCREW FORATA 1/8"	1,00			--
0071	VTRS00037	1105958	WASHER IN DAWTY 1/8	1,00			--
0072	TBAP00250		FLEXIBLE HOSE	1,00			--
0073	VTRS00037	1105958	WASHER IN DAWTY 1/8	1,00			--
0074	RCDS47107	12901009	SCREW FORATA 1/8"	1,00			--
0075	LAFN41002		BUSHING	2,00			--
0076	VTVT00005	1105023	SCREW TE FR 5X12 ZB	2,00			--
0077	LAFN47126	22601100	BRACKET PORTA POMPA TK1400 ZICATO	1,00			--
0078	PPEL45108	13401003	MOTOR-DRIV.PUMP IDR. 24V L.14	1,00			--
0079	RCVR00081	22551002	REDUCTION X CENTRALINA IDRAUL.1400	1,00			--
0080	TBAP00250		FLEXIBLE HOSE	1,00			--
0081	VTRS00037	1105958	WASHER IN DAWTY 1/8	1,00			--
0082	RCDS47107	12901009	SCREW FORATA 1/8"	1,00			--
0083	RCDS47107	12901009	SCREW FORATA 1/8"	1,00			--
0084	VTRS00037	1105958	WASHER IN DAWTY 1/8	1,00			--
0085	TBAP00251		FLEXIBLE HOSE	1,00			--
0086	LAFN00500	22301060	PIN X BRACCIO PARALLELOG.1300	1,00			--
0087	RCVR00081	22551002	REDUCTION X CENTRALINA IDRAUL.1400	1,00			--
0088	VTVT00447	05003	SCREW TE 8X25 UNI5739	1,00			--



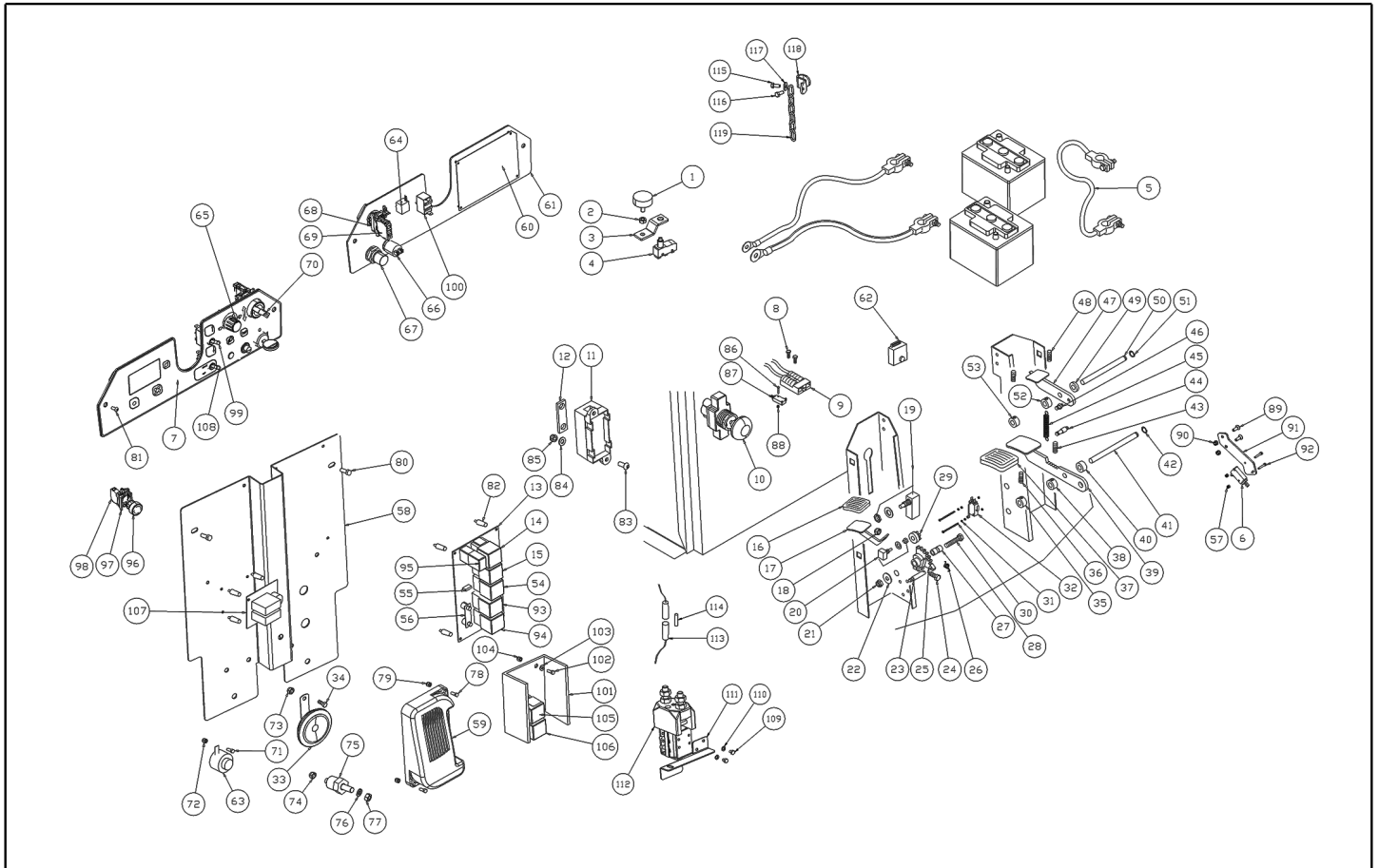
Ref. K	Part n.	Part n. 2	Description	Quantity	Validity		Price
					From	To	
0089	VTRS00512	RS01113	WASHER D. 8 X24 ZC.	1,00			--
0090	VTVT09913	1105507	SCREW TCCE UNI 5931 6X16 ZB	1,00			--
0091	VTRS00512	RS01113	WASHER D. 8 X24 ZC.	2,00			--
0092	GUVR00010	1320045	GASKET	1,80			--



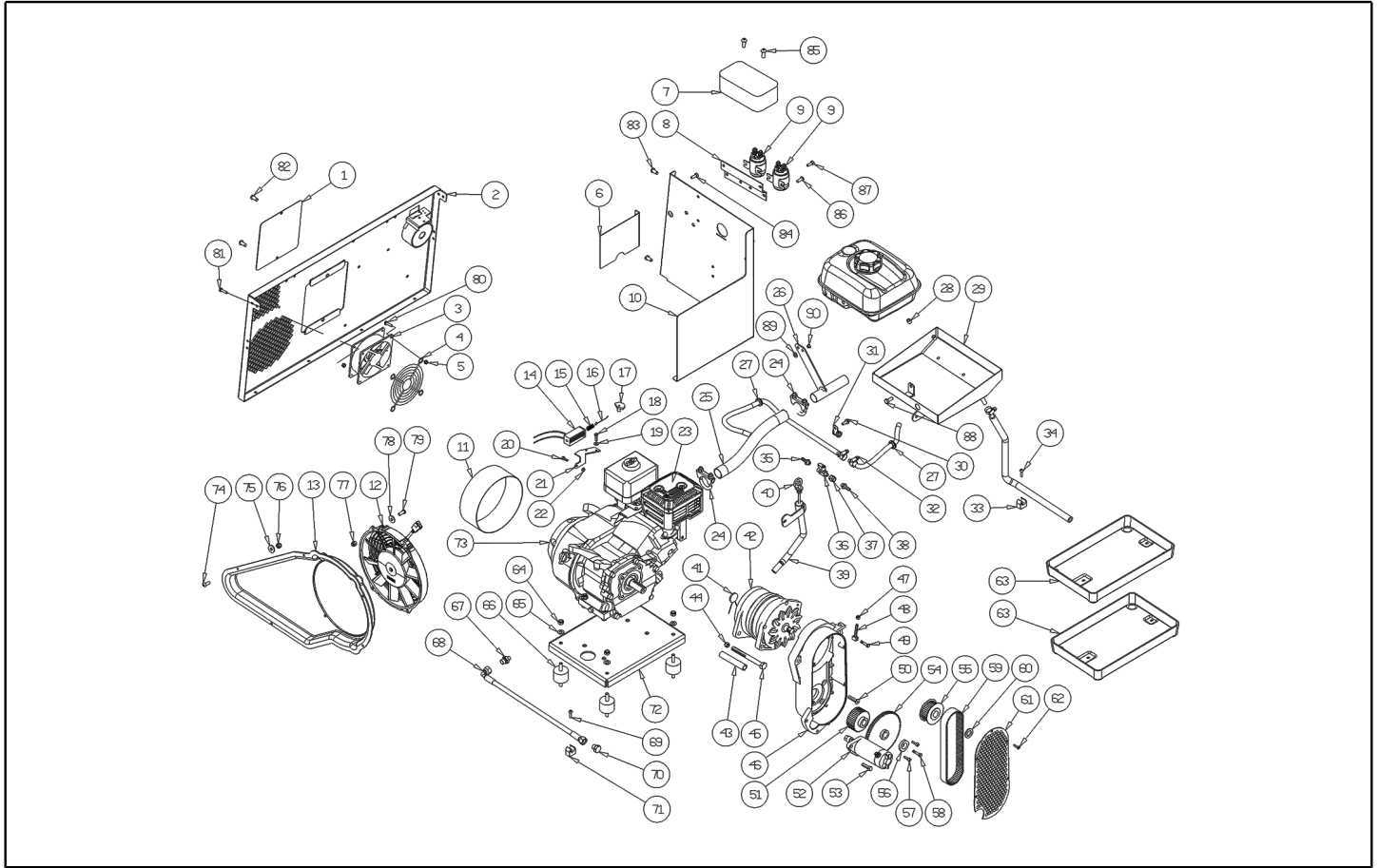
Ref. K	Part n.	Part n. 2	Description	Quantity	Validity		Price
					From	To	
0001	ABGO00026	70775	VIBRATION DAMP.	2,00			--
0002	VTDD10776	05094	NUT M 8 X1 UNI 5588	4,00			--
0003	LAFN07862		BRACKET -	1,00			--
0004	MECI75801	1380001	MICROSWITCH A PISTONE (MS/10-Z15GC)	1,00			--
0005	MEVR34820	SL23838	WIRING BATTERY BRIDGE W/TERMINAL	3,00			--
0006	MECI00114	70319	MICROSWITCH	1,00			--
0007	ETET01798		LABEL -	1,00			--
0008	VTVT19236	1105777	SCREW TCCE UNI 5931 5X20 ZB	2,00			--
0009	MEVR01079	SL23010K	PLUG M CB50 A 600V RD.	1,00			--
0010	MECI00571		BUTTON EMERGENCY BL.SB 1250	1,00			--
0011	MEVR00146	1380151	FUSE-HOLDER MEGA	1,00			--
0012	MEVR00145	1380150	FUSE 100A	1,00			--
0013	MECE00592		BOARD POWER SERVICE 1250-1280	1,00			--
0014	MECE00201	71337	RELAIS 24V 10-20 A	1,00			--
0015	MECE00201	71337	RELAIS 24V 10-20 A	1,00			--
0016	MPVR85654	13201006	PEDAL COVER PICCOLO V1020	1,00			--
0017	LAFN08220		PEDAL -	1,00			--
0018	VTDD00124	SL05001	NUT M 8 BASSO	1,00			--
0019	MECI75801	1380001	MICROSWITCH A PISTONE (MS/10-Z15GC)	2,00			--
0020	KTRI02289		KIT 1250-80	1,00			--
0021	VTDD00124	SL05001	NUT M 8 BASSO	1,00			--
0022	VTRS00504	05242	WASHER D. 8 ZC. UNI 6592	1,00			--
0023	LAFN75969	2230005	PIN SOSTEGNO CINGHI D.9 H.33	1,00			--
0024	VTVT01688		SCREW TBEI M 8X 30 ISO 7380 IX	1,00			--
0025	MTIG85317	22501006	GEAR ACCELERATORE TK1000	1,00			--
0026	MLML85997	22051007	SPRING A TORSIONE D.2 TK1000Egz	1,00			--
0027	LAFN47084	21101019	BUSHING ACCELERATORE TK 1000	1,00			--
0028	VTVT00017	1105066	SCREW TE UNI 5739 8X35 ZB	1,00			--
0029	MTIG85318	22501011	GEAR POTENZIOMETRO ACCEL.1000E	1,00			--
0030	VTVT00021	1105071	SCREW TE UNI 5739 3X25 ZB	2,00			--
0031	VTDD00001	1105120	NUT UNI 5588 M3 ZB	4,00			--
0032	MECI30642	SL23021	MICRO-SWITCH 11A 0.33HP	1,00			--
0033	MEVR33430		KLAXON K100/Y 1A 24V	1,00		11/10/2015	--
0033	MEVR02112		HORN 24V	1,00	12/10/2015		--
0034	VTVT00527		SCREW TE FR 6X10 ZB ZIG.	1,00			--
0035	LAFN47030	21101006	BUSHING FISS.PEDALE FRENO FORATA	1,00			--
0036	VTVT75731	1105482	GRUB SCREW UNI 5923 6X5	1,00			--
0037	MPVR45096	13201007	PEDAL COVER GRANDE V1021	1,00			--
0038	LAFN47030	21101006	BUSHING FISS.PEDALE FRENO FORATA	1,00			--
0039	LAFN09344		PEDAL -	1,00			--
0040	LAFN47019	21101012	BUSHING FISSAGGIO PEDALE FRENO	1,00			--
0041	LAFN47036	22301004	PIN FISS.PEDALE FRENO+ALZAFI.	1,00			--
0042	VTAE87276	1105410	SEEGER EXT. D10 DIN471	1,00			--
0043	VTVT75731	1105482	GRUB SCREW UNI 5923 6X5	1,00			--



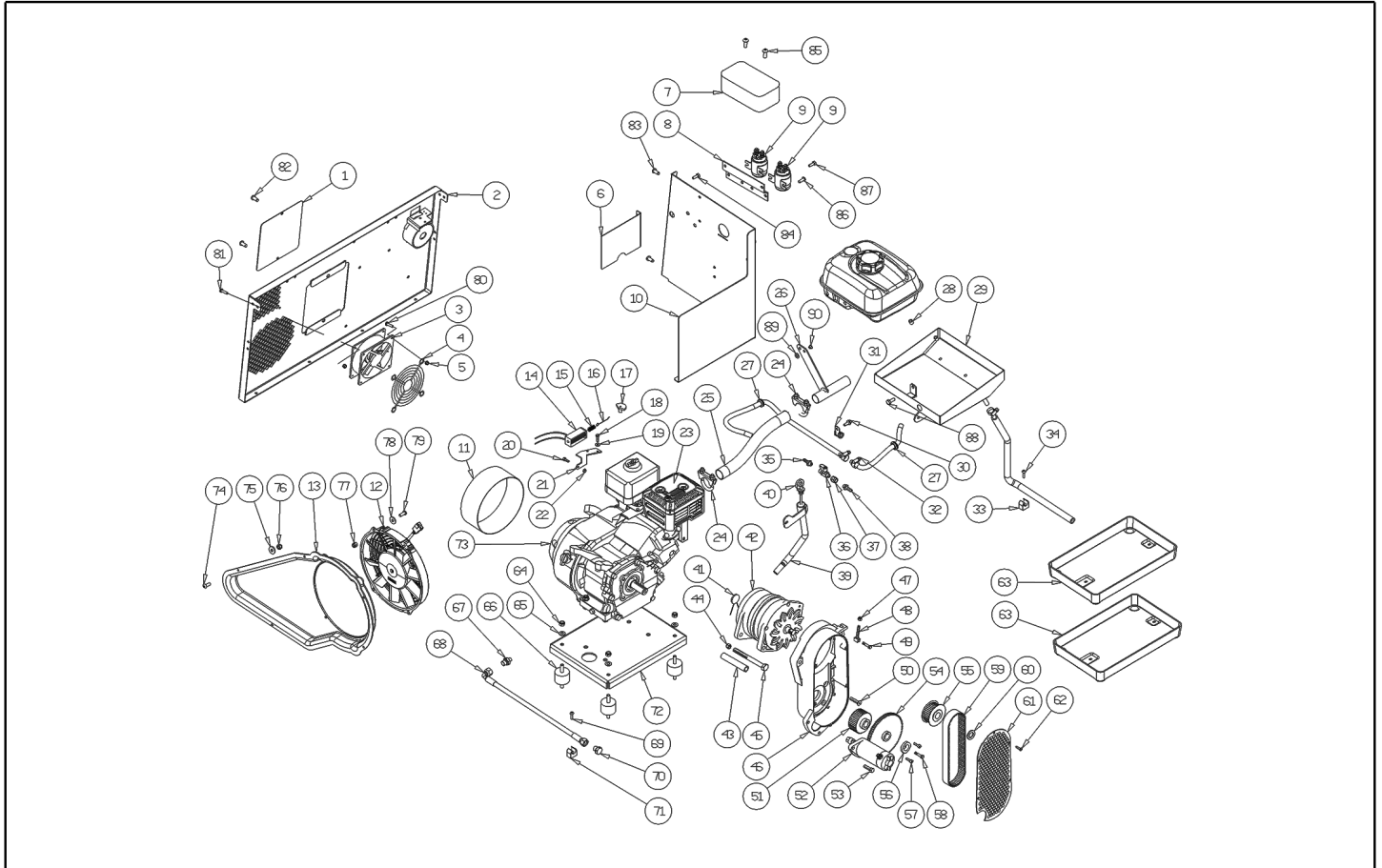
Ref. K	Part n.	Part n. 2	Description	Quantity	Validity		Price
					From	To	
0044	LAFN47035	2230015	PIN CH.10 H.26 ATTACCO MOLLA	1,00			--
0045	MLML75960	2205005	SPRING TRAZIONE TK D.8X1X29 ZB	1,00			--
0046	LAFN47029	2230012	PIN CH.10 H.16 ATTACCO MOLLA	1,00			--
0047	LAFN47032	22601002	PEDAL BLOCCO FRENO TK1000 ZINC	1,00			--
0048	VTVT75731	1105482	GRUB SCREW UNI 5923 6X5	1,00			--
0049	LAFN47033	21101005	BUSHING FISSAGGIO PERNO PEDALI	1,00			--
0050	LAFN47031	22301007	PIN PEDALE BLOCCO FRENO 1000	1,00			--
0051	VTAE87276	1105410	SEEGER EXT. D10 DIN471	1,00			--
0052	LAFN47030	21101006	BUSHING FISS.PEDALE FRENO FORATA	1,00			--
0053	LAFN47030	21101006	BUSHING FISS.PEDALE FRENO FORATA	1,00			--
0054	MECE00201	71337	RELAIS 24V 10-20 A	1,00			--
0055	MEVR01136	SL23148	FUSE 30A	1,00			--
0056	MEVR02060		FUSE 40A	1,00			--
0057	VTDD21115	SL05019	NUT M 3 INOX	2,00			--
0058	LAFN08202		PLATE -	1,00			--
0059	MECE00601		BOARD 1250-1280	1,00			--
0060	MECE00591		BOARD LOGIC 1250-1280	1,00			--
0061	LAFN08204		SUPPORT METAL DASHBOARD 1250	1,00			--
0062	MEVR02017		BEEPER -	1,00			--
0063	MECE00182	70989	BUZZER	1,00			--
0064	MEVR01941		POTENTIOMETER 100K	1,00			--
0065	KTRI01935		KIT 1050-1202	1,00			--
0066	MEVR85330	1180012	BUTTON -	1,00			--
0067	MECI75805	13801001	SWITCH KEY FOR BATTERY MACHINES	1,00			--
0068	MECI00520		SMALL BASKET FIX TO FIX CONTACT	1,00			--
0069	MECI00518		CONTACT NC	1,00			--
0070	MECI00572		SELECTOR -	1,00			--
0071	VTVT00311	75218	SCREW TE M4X12	1,00			--
0072	VTDD04368	05090	NUT M 4 ZIN UNI 5588	1,00			--
0073	VTDD00491		NUT M 6 TEF	1,00			--
0074	VTDD00124	SL05001	NUT M 8 BASSO	2,00			--
0075	MEVR01116	SL23103	SUPPORT FUSIBILE 120 A	2,00			--
0076	VTRS01080	05136	WASHER D. 8 GRW	2,00			--
0077	VTDD00483	05092	NUT M 8 ZIN UNI 5588	2,00			--
0078	VTVT01529	75104	SCREW TE M4X20 ZINC. UNI 5739	2,00			--
0079	VTDD04369	75259	NUT M 4 TEF UNI 7473	2,00			--
0080	VTVT00527		SCREW TE FR 6X10 ZB ZIG.	3,00			--
0081	VTVT00659	SL04065	SCREW TC+ M. 4-15	8,00			--
0082	MEVR01708		COLUMN -	4,00			--
0083	VTVT75726	1105236	SCREW TBCE ISO 7380 6X16 ZB	2,00			--
0084	VTRS00503	05118	WASHER D. 6 UNI 6798	2,00			--
0085	VTDD00491		NUT M 6 TEF	2,00			--
0086	VTVT01170		SCREW TC 2X16	2,00			--
0087	MERL00018		MICROSWITCH	1,00			--



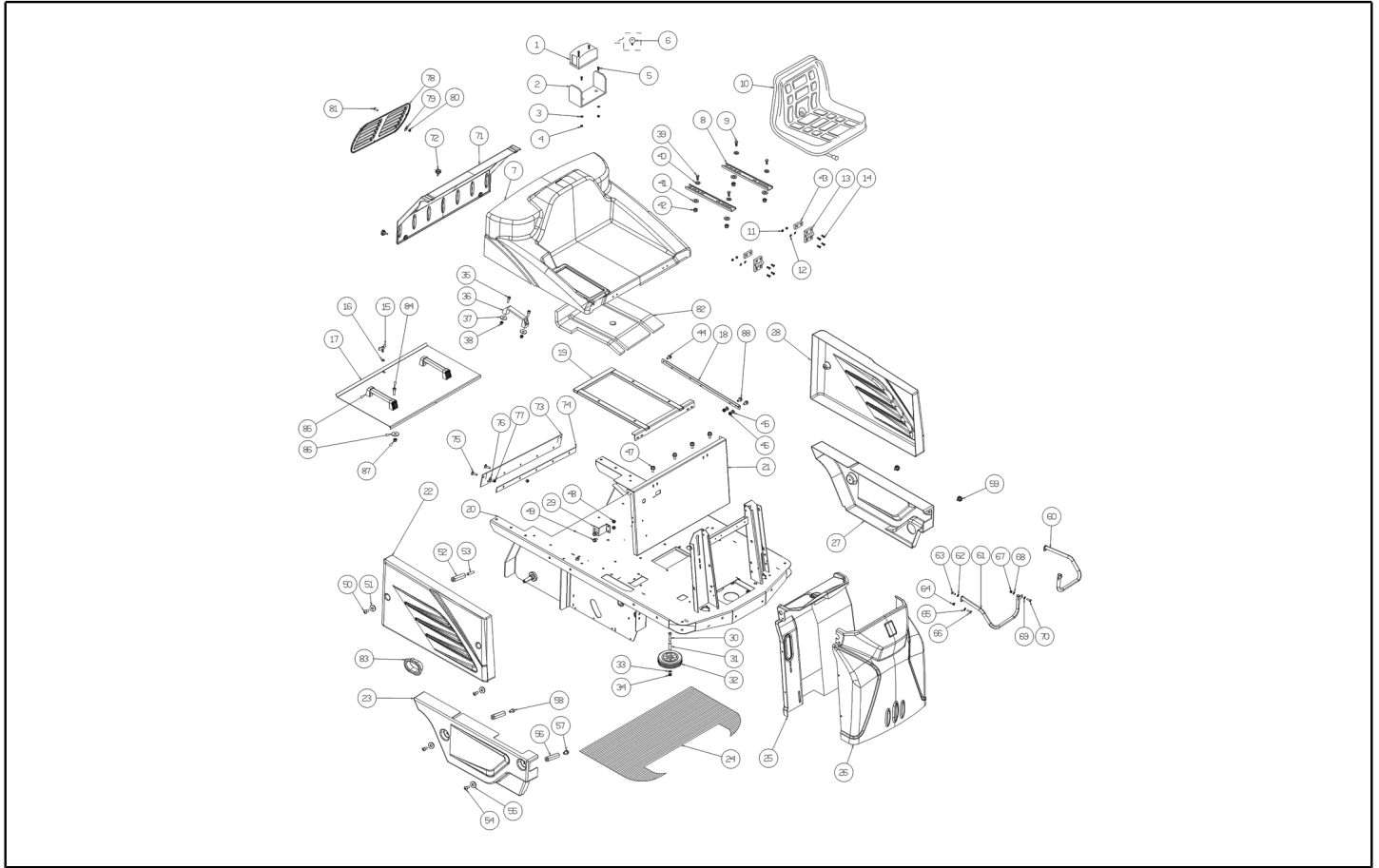
Ref. K	Part n.	Part n. 2	Description	Quantity	Validity		Price
					From	To	
0088	VTDD00213		NUT M2	2,00			--
0089	VTVT16939	SL04401	SCREW M 4X 16 TSPEI UNI 5933	2,00			--
0090	VTDD04369	75259	NUT M 4 TEF UNI 7473	2,00			--
0091	LAFN09383		BRACKET -	1,00			--
0092	VTVT01350		SCREW M3-20 INOX	2,00			--
0093	MERL00016		SWITCH RELAY 24V	1,00			--
0094	MERL00016		SWITCH RELAY 24V	1,00			--
0095	MECE00456		RELAY CT110	1,00			--
0096	MECI00523		BUTTON WHITE	1,00			--
0097	MECI00520		SMALL BASKET FIX TO FIX CONTACT	1,00			--
0098	MECI00517		CONTACT NO 3-4	1,00			--
0099	MEVR01975		RUBBER DEVIATORE	1,00			--
0100	MECI00573		SELECTOR -	1,00			--
0101	MECE00596		BOARD 1280	1,00			--
0102	VTVT00003	1105001	SCREW TE M 4X 12 ZC. UNI 5739	2,00			--
0103	VTRS00501	05109	WASHER D. 4 0.232 UNI 6592	2,00			--
0104	VTDD04369	75259	NUT M 4 TEF UNI 7473	2,00			--
0105	MERL00012		SWITCH RELAY 12V	1,00			--
0106	MERL00012		SWITCH RELAY 12V	1,00			--
0107	MECE45124	21801054	PCB RELÉ TK1400	1,00			--
0108	MECI75945	21801013	COMMUTAT.SWITCH 3 POSIZ.FUNZ.MACCH.+CAPP	1,00			--
0109	VTVT01669		SCREW M4x6 UNI5739 znt cl.4.8	2,00	12/10/2015		--
0110	VTRS00501	05109	WASHER D. 4 0.232 UNI 6592	2,00	12/10/2015		--
0111	LAFN09488		PLATE	1,00	12/10/2015		--
0112	MECI00532		CONTACTOR 24V-100A	1,00	12/10/2015		--
0113	MEVR00080	1380090	FUSE-HOLDER PV610 10A	1,00	12/10/2015		--
0114	MEVR00072	1380079	FUSE 2.5A F6.3X32-100/110V	1,00	12/10/2015		--
0115	VTVT34115	75019	SCREW TE M 5X 10 UNI 5739	1,00	12/10/2015		--
0116	VTVT00005	1105023	SCREW TE FR 5X12 ZB	1,00	12/10/2015		--
0117	VTRS15958	1105808	WASHER UNI 6592 5X15X1,5 ZB	1,00	12/10/2015		--
0118	LAFN07380		BRACKET G1050	1,00	12/10/2015		--
0119	MTCR00029	70311	SMALL CHAIN	0,17	12/10/2015		--



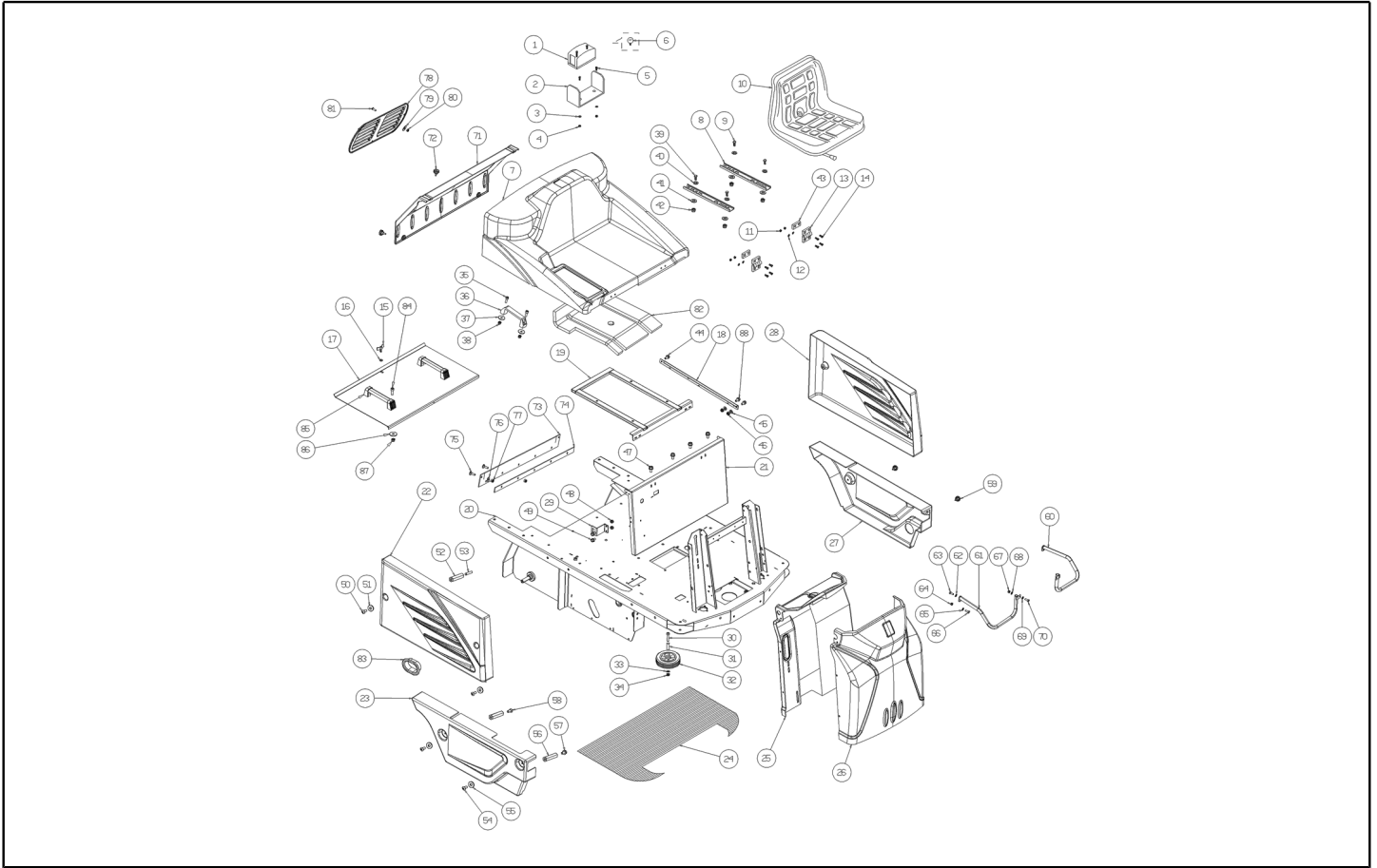
Ref. K	Part n.	Part n. 2	Description	Quantity	Validity		Price
					From	To	
0001	LAFN08122		BULKWARD -	1,00			--
0002	LAFN08179		PANEL -	1,00			--
0003	VEVR45113	1290008	IMPELLER 24V KDE 2412-PMS1 6A	1,00			--
0004	LAFN00009	1290008A	BRACKET PROTEZIONE	1,00			--
0006	LAFN08125		BULKWARD -	1,00			--
0007	MPVR47166	21201076	CRANKCASE PROTEZIONE TELERUT.TK1400	1,00			--
0008	LAFN47167	22601101	BRACKET PORTA TELERUT.TK1400 ZINC	1,00			--
0009	METT45116	1380085	CONTACTOR T106P 24V 100%	2,00			--
0010	LAFN08123		SPACER -	1,00			--
0011	GUVR45977	21601015	GASKET CONV.ARIA 1400/1300/1400	1,00			--
0012	VEVR00078		IMPELLER -	1,00			--
0013	MPVR06411		CONVEYOR -	1,00			--
0014	MEVR02100		SOLENOID -	1,00			--
0015	MLML00348		SPRING -	1,00			--
0016	MEVR45118	21901005	CONNECTING ROD X SOLENOIDE TK1400	1,00			--
0017	MEVR45117	21101057	ROKER SOLENOIDE ARIA MOTORE	1,00			--
0018	VTVT10068	1105816	SCREW TCTC UNI 7687 3X5 ZB	1,00			--
0019	VTRS27296	1105772	WASHER GROWER 3 ZNT	1,00			--
0020	VTVT00107	1105817	SCREW TCTC UNI 7687 3X12 ZB	1,00			--
0021	LAFN47155	22601097	BRACKET PORTA SOLENOIDE	1,00			--
0022	VTDD00001	1105120	NUT UNI 5588 M3 ZB	1,00			--
0023	MRSC00092		SILENCER -	1,00			--
0024	LAFN02858	70363	CLAMP D.32	2,00			--
0025	TBFX00057	70143	FLEXIBLE HOSE	0,38			--
0026	LAFN08128		TUBE -	1,00			--
0027	MEVR00686	71003	FAIR-LEAD DIAMETER 15.5	2,00			--
0028	LAFN47095	21301013	SPACER D.6X10X8 ZINCATO	2,00			--
0029	LAFN08126		BRACKET -	1,00			--
0031	FSVR00005	1500017	CLAMP TIPO "ECO"FORO MM8 D.1 W0	2,00			--
0032	FSVR19692	1500020	CLAMP D. 11-16 VT	2,00			--
0033	FSVR00024	70066	HOSE COLLAR	1,00			--
0035	RCVR00004	1255003	CONNECTOR PORTAGOMMA 1/8" D.7	1,00			--
0036	RCGR00008	1320088	VALVE A SFERA MF 1/8"	1,00			--
0037	RCVR00019	1255032	SLEEVE 1/8"	1,00			--
0038	RCVR00004	1255003	CONNECTOR PORTAGOMMA 1/8" D.7	1,00			--
0039	LAFN08129		TUBE -	1,00			--
0040	TBBP00383		ROD LIVELLO OLIO	1,00			--
0041	METK47170	23802007	PROBE F11-140° NC	1,00			--
0042	ARGN00004	13401012	ALTERNATOR 28V-80A	1,00			--
0043	LAFN47157	21301023	SPACER X ALTERNATORE X 1400 DP	1,00			--
0044	VTDD00042	SL05032	NUT AUT.M10 UNI7474	1,00			--
0045	VTVT16260	1105524	SCREW TE UNI 5737 10X160 ZB	1,00			--
0046	MFVR47154	22601235	SUPPORT MOTORINO TK1400 DP	1,00			--
0047	VTDD00491		NUT M 6 TEF	1,00			--



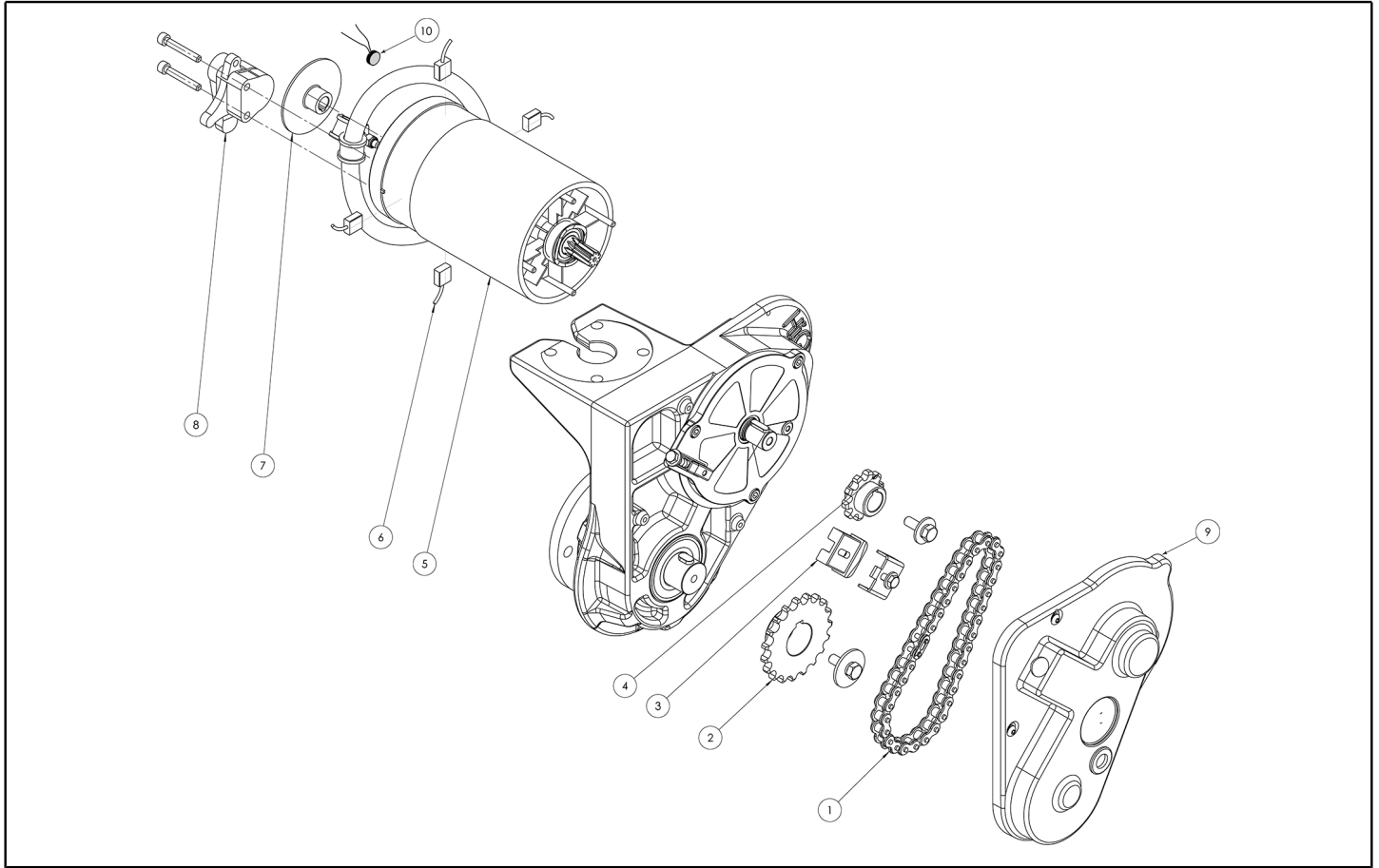
Ref. K	Part n.	Part n. 2	Description	Quantity	Validity		Price
					From	To	
0048	LAFN47168	1500019	BELT-STRETCHER ALTERNATORE TK1400	1,00			--
0049	VTVT28307		SCREW TCCE UNI 5931 10X70 ZN	1,00			--
0050	VTVT63134		SCREW M 8X25 TSPEI ZC UNI 5933	4,00			--
0051	MTPL45323	22501037	PULLEY MOT.HONDA 44-RPP5-25 1400	1,00			--
0052	MOCC45115	13401006	MOTOR 24V 300W SX	1,00			--
0053	VTVT01119	1105563	SCREW TCCE UNI 5931 8X30 ZB	1,00			--
0054	MTCR45720	22501025	TOOTHED WHEEL Z. 80 P 1.75	1,00			--
0055	MTPL45322	22501034	PULLEY ALTERN.40-RPP5-25	1,00			--
0056	LAFN06832		WASHER BLOCCA INGRANAGGIO	1,00			--
0057	VTVT00066	1105517	SCREW TCCE UNI 5931 8X25 ZB	2,00			--
0058	VTVT00448	05156	SCREW TE 8X30 UNI5739	1,00			--
0059	MTCG44555	1330020	BELT DENTATA DAYCO/ISORAN	1,00			--
0060	LAFN00271	21301017	NUT FISSA PULEGGIA ALTERNA.	1,00			--
0061	LAFN47152	22601236	BRACKET PROTEZIONE	1,00			--
0062	VTVT00005	1105023	SCREW TE FR 5X12 ZB	5,00			--
0063	LAFN87156	2120125	CONTAINER BATTERY	2,00			--
0064	VTDD00124	SL05001	NUT M 8 BASSO	4,00			--
0065	VTRS00504	05242	WASHER D. 8 ZC. UNI 6592	4,00			--
0066	ABGO00009	1370013	VIBRATION DAMP. MM 40X30 8MAX25	4,00			--
0067	RCDS47173	22551001	NIPPLE 1/4"-M10X1.25	1,00			--
0068	TBBP00514		TUBE -	1,00			--
0070	RCDS00002	12551001	CAP 1/4" X IMPIANTO IDRAULICO	1,00			--
0071	FSVR00024	70066	HOSE COLLAR	1,00			--
0072	LAFN08184		PLATE -	1,00			--
0073	MOSC47149	1340035	MOTOR HONDA GX200-SX-4-OH	1,00			--
0074	VTVT75726	1105236	SCREW TBCE ISO 7380 6X16 ZB	5,00			--
0075	VTRS04026		WASHER D. 6X18X2.38	5,00			--
0076	VTDD00491		NUT M 6 TEF	5,00			--
0077	VTDD00491		NUT M 6 TEF	4,00			--
0078	VTRS00503	05118	WASHER D. 6 UNI 6798	4,00			--
0079	VTVT75726	1105236	SCREW TBCE ISO 7380 6X16 ZB	4,00			--
0080	VTVT15924	1105494	SCREW TCTC 4X16 ACCIAIO INOX	4,00			--
0081	VTVT15924	1105494	SCREW TCTC 4X16 ACCIAIO INOX	4,00			--
0082	VTVT75726	1105236	SCREW TBCE ISO 7380 6X16 ZB	2,00			--
0083	VTVT75726	1105236	SCREW TBCE ISO 7380 6X16 ZB	2,00			--
0084	VTVT62920	1105162	SCREW ZB FR 6X16 ZB ZIGRINATE	2,00			--
0085	VTVT75725	1105234	SCREW TBCE ISO 7380 6X10 ZB	2,00			--
0086	VTVT75725	1105234	SCREW TBCE ISO 7380 6X10 ZB	2,00			--
0087	VTVT62920	1105162	SCREW TE FR 6X16 ZB ZIGRINATE	2,00			--
0088	VTVT00527		SCREW TE FR 6X10 ZB ZIG.	1,00			--
0089	VTRS00274	SL06064	WASHER NYLON 66 D.8,4-17-2 UNI	2,00	17/12/2015		--
0090	LAFN09413		BUSHING -	2,00	17/12/2015		--



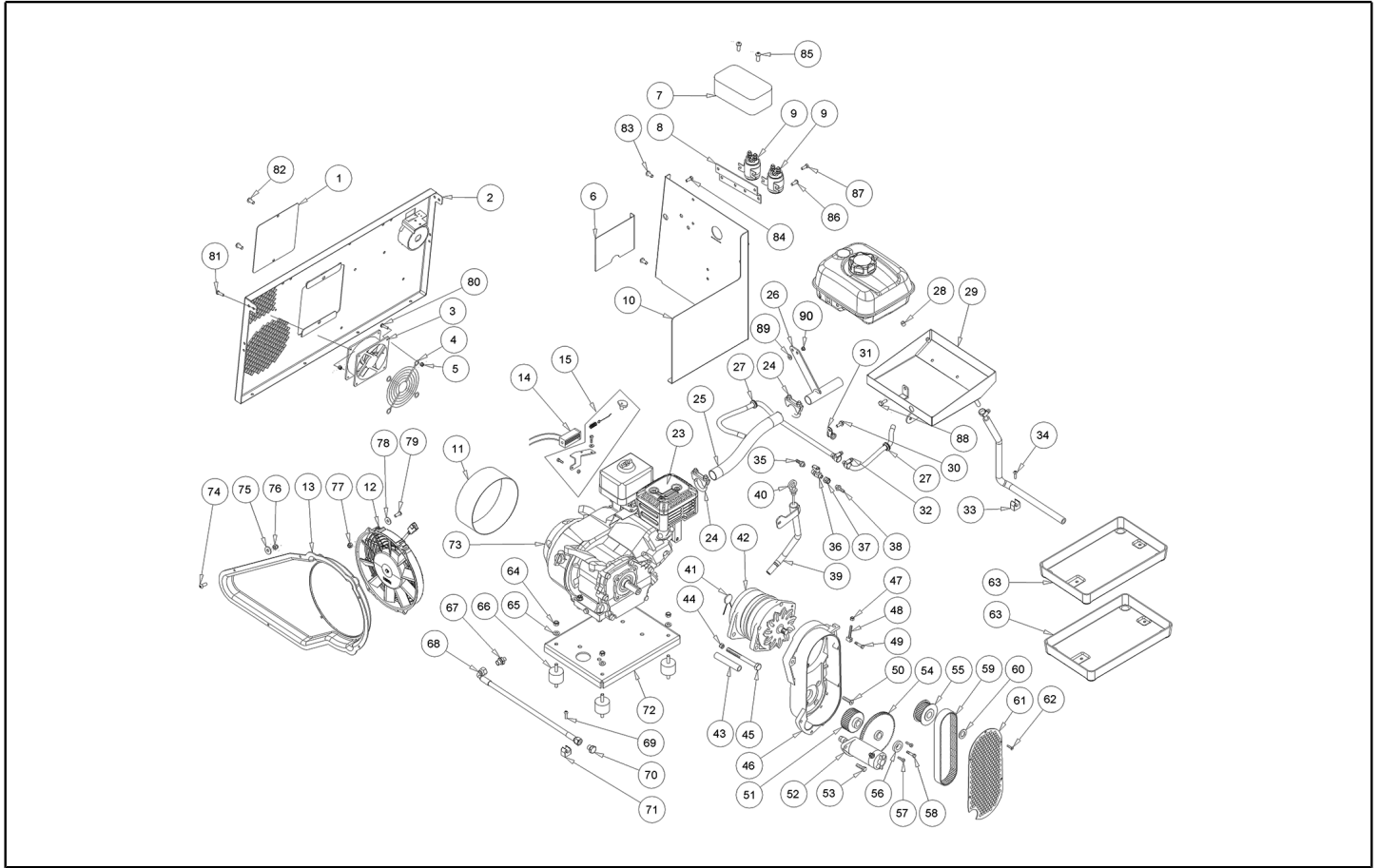
Ref. K	Part n.	Part n. 2	Description	Quantity	Validity		Price
					From	To	
0001	KTRI00103	23101119	LAMP FLASH 24V ORANGE	1,00			--
0002	KTRI00103	23101119	LAMP FLASH 24V ORANGE	1,00			--
0003	VTRS15958	1105808	WASHER UNI 6592 5X15X1,5 ZB	2,00			--
0004	VTDD08171	75282	NUT M 5 TEF	2,00			--
0005	VTVT45339	1105237	SCREW TBCE ISO 7380 5X16 ZB	2,00			--
0006	MELF33431	1180021	LAMP 24V/21W	1,00			--
0007	MPVR06088		HOOD -	1,00			--
0008	SESD45981	13201011	SEAT SC73 01.01.M4 PER TK1400	1,00			--
0009	VTVT00017	1105066	SCREW TE UNI 5739 8X35 ZB	4,00			--
0010	SESD45981	13201011	SEAT SC73 01.01.M4 PER TK1400	1,00			--
0011	VTDD00491		NUT M 6 TEF	4,00			--
0012	VTRS00503	05118	WASHER D. 6 UNI 6798	4,00			--
0013	CEVR85332	13201004	HINGE MEB F D.6 TK	2,00			--
0014	VTVT06237	1105506	SCREW TCCE UNI 5931 6X20 ZB	4,00			--
0015	VTVR00044	1320074	WING NUT D.30 M6X20	1,00			--
0016	VTRS63242	1105325	WASHER UNI 6593 6X24X2 ZB	1,00			--
0017	LAFN85308	21201003	COVER SCATOLA FILTRO TK1000 NER	1,00			--
0018	LAFN08190		SHEET METAL PA. -	1,00			--
0019	LAFN08178		SUPPORT -	1,00			--
0020	LAFN36061		FRAME 1250-1280	1,00			--
0021	LAFN08179		PANEL -	1,00			--
0022	MPVR07160		BODY SIDE DX	1,00			--
0023	MPVR06096		CRANKCASE -	1,00			--
0024	MPVR00738	21601001A	PLANE MILLERIG.1000E CON BIADES	1,00			--
0025	MPVR06094		SIDE PANEL -	1,00			--
0026	MPVR06093		SIDE PANEL -	1,00			--
0027	MPVR06095		CRANKCASE -	1,00			--
0028	MPVR06126		CONVEYOR SX	1,00			--
0029	LAFN08210		BRACKET -	2,00			--
0030	VTVT28307		SCREW TCCE UNI 5931 10X70 ZN	2,00			--
0031	LAFN47011	1110006	BUSHING BU15X10X47 X RUOTA1250056	2,00			--
0032	RTRT00013	1250041	WHEEL GOMMA D.125	2,00			--
0033	VTRS00505	05116	WASHER D.10 UNI 6592	2,00			--
0034	VTDD00042	SL05032	NUT AUT.M10 UNI7474	2,00			--
0035	VTVT00066	1105517	SCREW TCCE UNI 5931 8X25 ZB	4,00			--
0036	MPVR00411		HANDLE TRG	2,00			--
0037	VTRS00513	1105327	WASHER UNI 6593 8X32X2,5 ZB	4,00			--
0038	VTDD00124	SL05001	NUT M 8 BASSO	4,00			--
0039	VTVT00017	1105066	SCREW TE UNI 5739 8X35 ZB	4,00			--
0040	VTRS00504	05242	WASHER D. 8 ZC. UNI 6592	2,00			--
0041	VTRS00512	RS01113	WASHER D. 8 X24 ZC.	4,00			--
0042	VTDD00124	SL05001	NUT M 8 BASSO	4,00			--
0043	LAFN07909		BRACKET -	2,00			--
0044	VTVT62920	1105162	SCREW TE FR 6X16 ZB ZIGRINATE	1,00			--



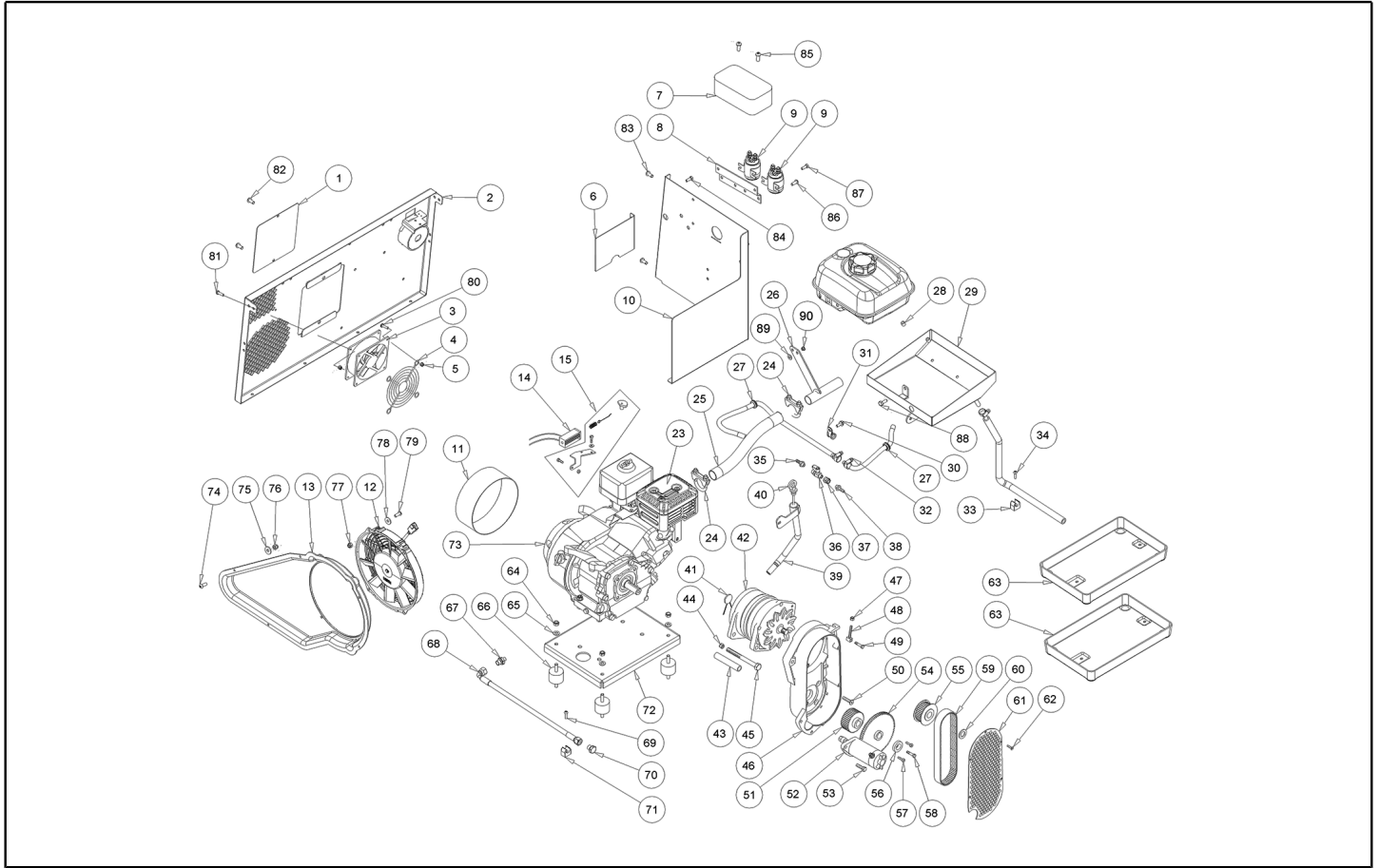
Ref. K	Part n.	Part n. 2	Description	Quantity	Validity		Price
					From	To	
0045	VTRS00503	05118	WASHER D. 6 UNI 6798	2,00			--
0046	VTDD00491		NUT M 6 TEF	2,00			--
0047	VTVT62920	1105162	SCREW TE FR 6X16 ZB ZIGRINATE	4,00			--
0048	VTDD00491		NUT M 6 TEF	4,00			--
0049	VTVT62920	1105162	SCREW TE FR 6X16 ZB ZIGRINATE	4,00			--
0050	VTVT75726	1105236	SCREW TBCE ISO 7380 6X16 ZB	4,00			--
0051	VTRS04026		WASHER D. 6X18X2.38	4,00			--
0052	LAFN08211		SPACER -	4,00			--
0053	VTVT00900	SL11024	GRUB SCREW M 6-30 CON ES	2,00			--
0054	VTVT75726	1105236	SCREW TBCE ISO 7380 6X16 ZB	2,00			--
0055	VTRS04026		WASHER D. 6X18X2.38	2,00			--
0056	LAFN08211		SPACER -	2,00			--
0057	VTVT00527		SCREW TE FR 6X10 ZB ZIG.	2,00			--
0058	VTVT13515	75022	SCREW TSPEI M6x16 UNI5933 10.9	2,00			--
0059	RTRT00022	1320018	HANDWHEEL D.30 M6X15	2,00			--
0060	LAFN08200		BUMPER LH SIDE 1250	1,00			--
0061	LAFN08201		BUMPER RH SIDE 1250	1,00			--
0062	VTRS00504	05242	WASHER D. 8 ZC. UNI 6592	2,00			--
0063	VTVT00446	1105098	SCREW TE UNI 5739 8X20 ACC.8.8	2,00			--
0064	VTDD00124	SL05001	NUT M 8 BASSO	2,00			--
0065	VTRS00504	05242	WASHER D. 8 ZC. UNI 6592	2,00			--
0066	VTVT00446	1105098	SCREW TE UNI 5739 8X20 ACC.8.8	1,00			--
0067	VTDD00124	SL05001	NUT M 8 BASSO	2,00			--
0068	VTRS00504	05242	WASHER D. 8 ZC. UNI 6592	2,00			--
0069	VTRS00504	05242	WASHER D. 8 ZC. UNI 6592	2,00			--
0070	VTVT00446	1105098	SCREW TE UNI 5739 8X20 ACC.8.8	2,00			--
0071	MPVR06417		COVER -	1,00			--
0072	RTRT00022	1320018	HANDWHEEL D.30 M6X15	4,00			--
0073	MPVR06431		FLAP -	1,00	14/10/2014		--
0074	LAFN86529	21501007	CLAMP FLAP ANT/POST TK1000 NERO	1,00	14/10/2014		--
0075	VTVT75721	1105222	SCREW TTDE UNI 5732 6X16 ZB	7,00	14/10/2014		--
0076	VTRS04026		WASHER D. 6X18X2.38	2,00	14/10/2014		--
0077	VTDD00491		NUT M 6 TEF	7,00	14/10/2014		--
0078	MPVR04916		BRACKET COPERCHIO ASPIRATORI	1,00			--
0079	VTRS04026		WASHER D. 6X18X2.38	4,00			--
0080	VTDD00491		NUT M 6 TEF	4,00			--
0081	VTVT75726	1105236	SCREW TBCE ISO 7380 6X16 ZB	4,00			--
0082	ITSO00074		INSULATOR -	1,00			--
0083	MPVR04698		FRAME FORO	1,00			--
0084	VTVT00066	1105517	SCREW TCCE UNI 5931 8X25 ZB	4,00	20/03/2015		--
0085	MPVR00411		HANDLE TRG	2,00	20/03/2015		--
0086	VTRS00513	1105327	WASHER UNI 6593 8X32X2,5 ZB	4,00	20/03/2015		--
0087	VTDD00124	SL05001	NUT M 8 BASSO	4,00	20/03/2015		--
0088	VTVT00527		SCREW TE FR 6X10 ZB ZIG.	2,00			--



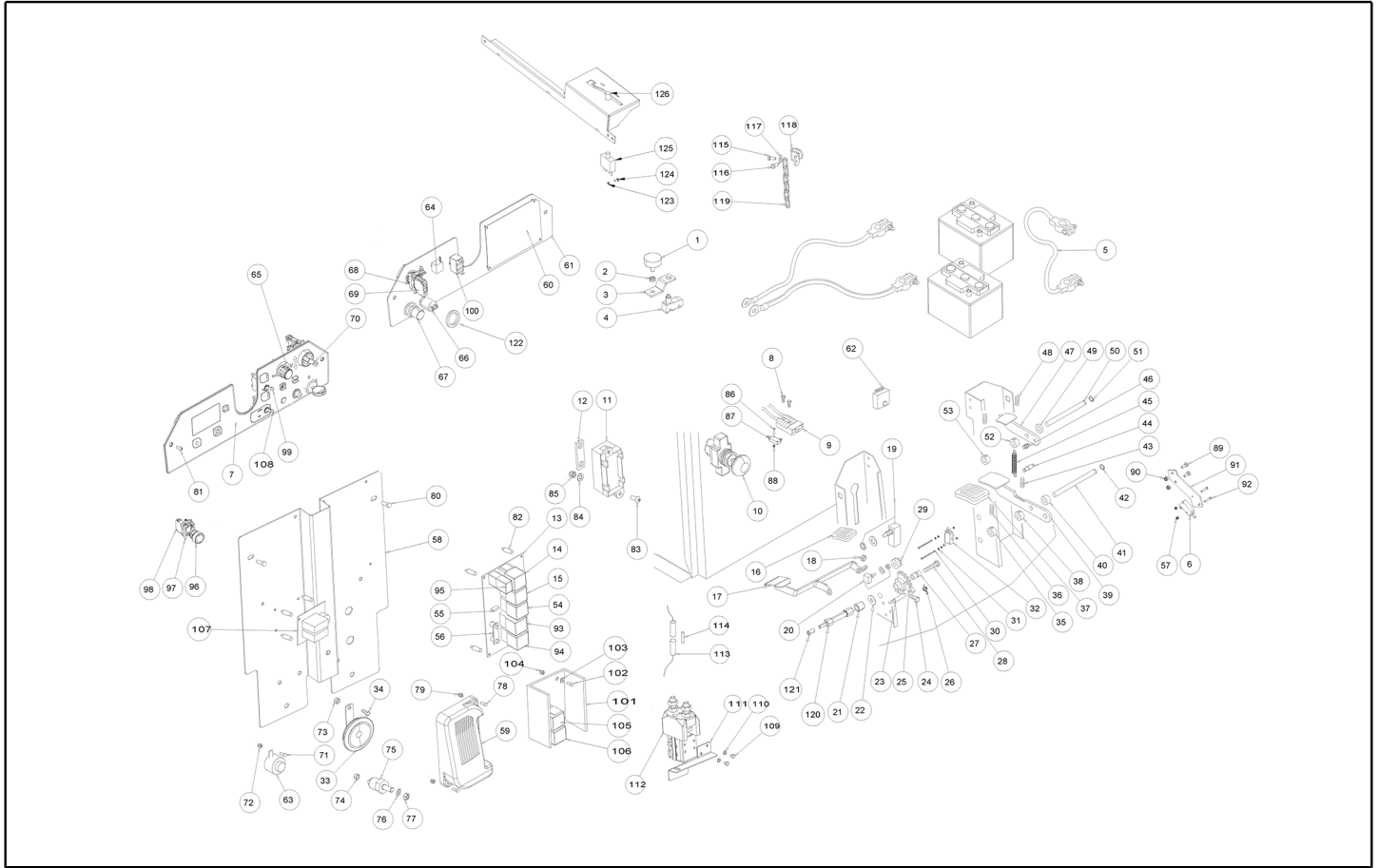
Ref. K	Part n.	Part n. 2	Description	Quantity	Validity		Price
					From	To	
0001	MTCR00104		CHAIN -	1,00			--
0002	MTIG00130		PINION 1/2"x5/16" Z19	1,00			--
0003	LAFN08226		CHAIN STRECHER -	1,00			--
0004	MTIG00129		PINION 1/2"x5/16" Z10	1,00			--
0005	MOCC00445		MOTOR 500W	1,00			--
0006	MEVR02107		KIT BRUSH	1,00			--
0007	LAFN08224		DISC -	1,00			--
0008	LAFN08225		PLIERS -	1,00			--
0009	MPVR11196		CRANKCASE MOTORWHEEL MOCC00434	1,00			--
0010	MEVR02827		THERMAL MOCC00445	1,00			--



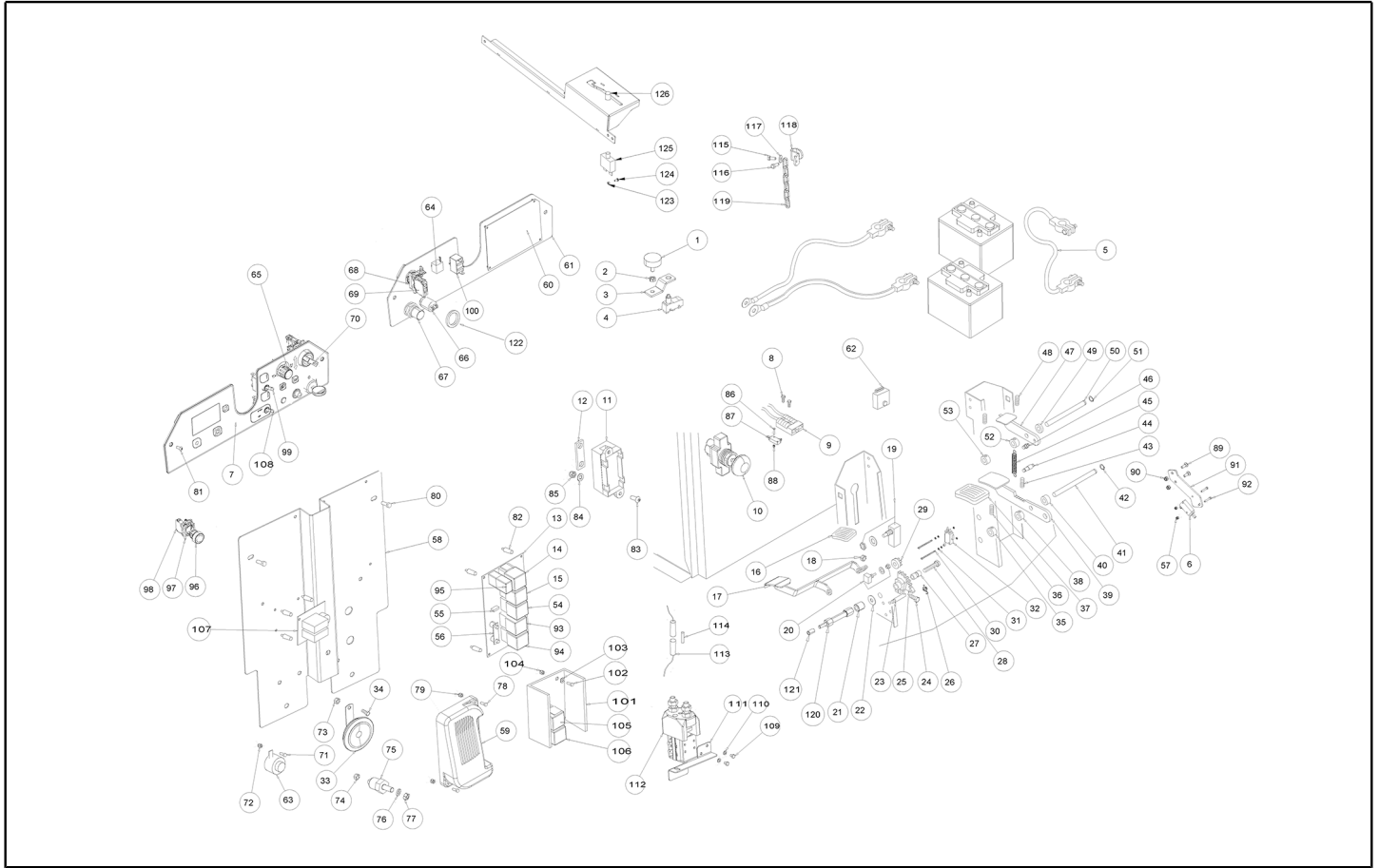
Ref. K	Part n.	Part n. 2	Description	Quantity	Validity		Price
					From	To	
0001	LAFN08122		BULKWARD -	1,00			--
0002	LAFN08179		PANEL -	1,00			--
0003	VEVR45113	1290008	IMPELLER 24V KDE 2412-PMS1 6A	1,00			--
0004	LAFN00009	1290008A	BRACKET PROTEZIONE	1,00			--
0006	LAFN08125		BULKWARD -	1,00			--
0007	MPVR47166	21201076	CRANKCASE PROTEZIONE TELERUT.TK1400	1,00			--
0008	LAFN47167	22601101	BRACKET PORTA TELERUT.TK1400 ZINC	1,00			--
0009	METT45116	1380085	CONTACTOR T106P 24V 100%	2,00			--
0010	LAFN08123		SPACER -	1,00			--
0011	GUVR45977	21601015	GASKET CONV.ARIA 1400/1300/1400	1,00			--
0012	VEVR00078		IMPELLER -	1,00			--
0013	MPVR06411		CONVEYOR -	1,00			--
0014	MEVR02915		SOLENOID -	1,00			--
0015	KTRI05092		KIT -	1,00			--
0023	MRSC00092		SILENCER -	1,00			--
0024	LAFN02858	70363	CLAMP D.32	2,00			--
0025	TBFX00057	70143	FLEXIBLE HOSE	0,38			--
0026	LAFN08128		TUBE -	1,00			--
0027	MEVR00686	71003	FAIR-LEAD DIAMETER 15.5	2,00			--
0028	LAFN47095	21301013	SPACER D.6X10X8 ZINCATO	2,00			--
0029	LAFN08126		BRACKET -	1,00			--
0031	FSVR00005	1500017	CLAMP TIPO "ECO"FORO MM8 D.1 W0	2,00			--
0032	FSVR19692	1500020	CLAMP D. 11-16 VT	2,00			--
0033	FSVR00024	70066	HOSE COLLAR	1,00			--
0035	RCVR00004	1255003	CONNECTOR PORTAGOMMA 1/8" D.7	1,00			--
0036	RCGR00008	1320088	VALVE A SFERA MF 1/8"	1,00			--
0037	RCVR00019	1255032	SLEEVE 1/8"	1,00			--
0038	RCVR00004	1255003	CONNECTOR PORTAGOMMA 1/8" D.7	1,00			--
0039	LAFN08129		TUBE -	1,00			--
0040	TBBP00383		ROD LIVELLO OLIO	1,00			--
0041	METK47170	23802007	PROBE F11-140° NC	1,00			--
0042	ARGN00004	13401012	ALTERNATOR 28V-80A	1,00			--
0043	LAFN47157	21301023	SPACER X ALTERNATORE X 1400 DP	1,00			--
0044	VTDD00042	SL05032	NUT AUT.M10 UNI7474	1,00			--
0045	VTVT16260	1105524	SCREW TE UNI 5737 10X160 ZB	1,00			--
0046	MFVR47154	22601235	SUPPORT MOTORINO TK1400 DP	1,00			--
0047	VTDD00491		NUT M 6 TEF	1,00			--
0048	LAFN47168	1500019	BELT-STRETCHER ALTERNATORE TK1400	1,00			--
0049	VTVT28307		SCREW TCCE UNI 5931 10X70 ZN	1,00			--
0050	VTVT63134		SCREW M 8X25 TSPEI ZC UNI 5933	4,00			--
0051	MTPL45323	22501037	PULLEY MOT.HONDA 44-RPP5-25 1400	1,00			--
0052	MOCC45115	13401006	MOTOR 24V 300W SX	1,00			--
0053	VTVT01119	1105563	SCREW TCCE UNI 5931 8X30 ZB	1,00			--
0054	MTCR45720	22501025	TOOTHED WHEEL Z. 80 P 1.75	1,00			--



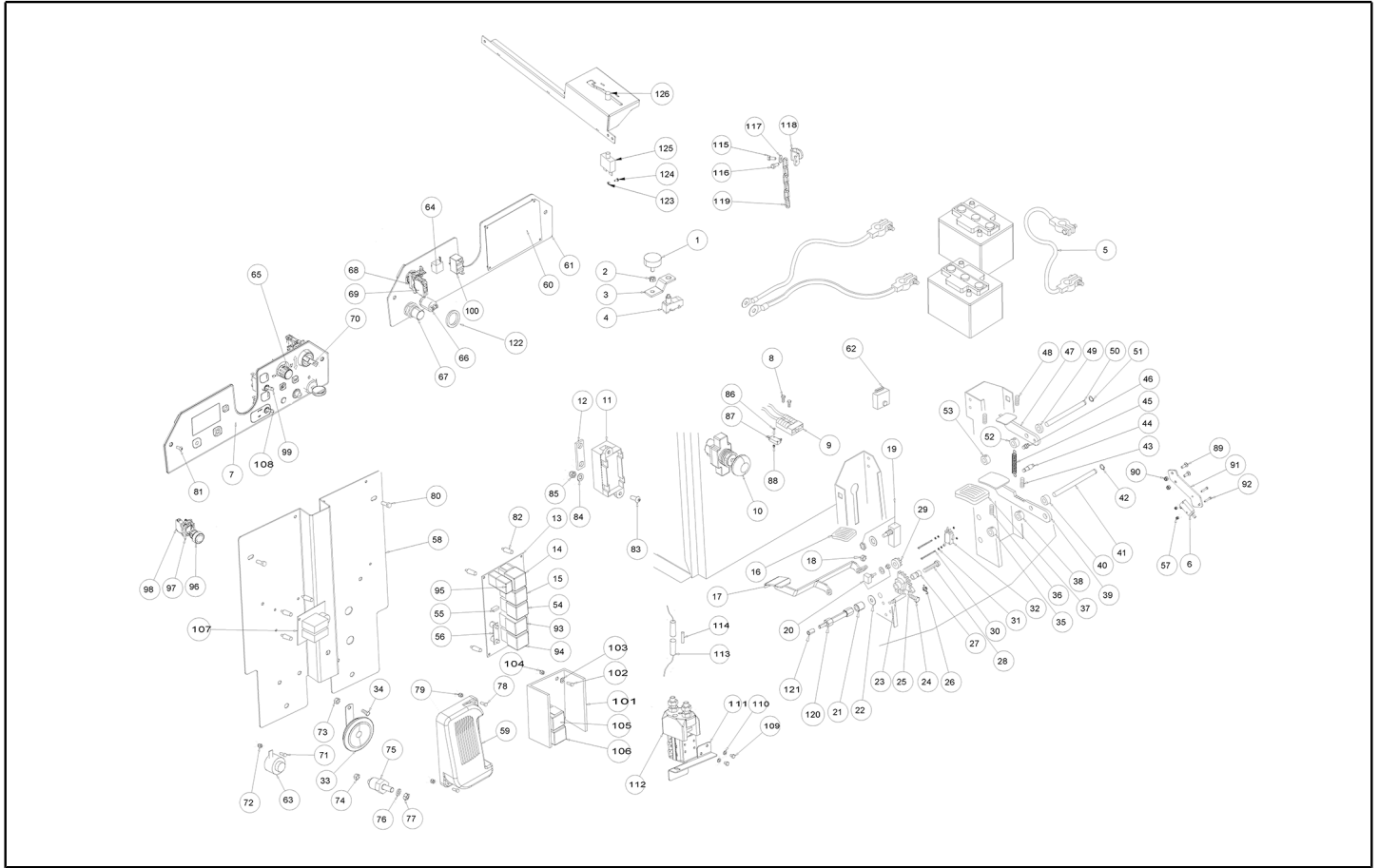
Ref. K	Part n.	Part n. 2	Description	Quantity	Validity		Price
					From	To	
0055	MTPL45322	22501034	PULLEY ALTERN.40-RPP5-25	1,00			--
0056	LAFN06832		WASHER BLOCCA INGRANAGGIO	1,00			--
0057	VTVT00066	1105517	SCREW TCCE UNI 5931 8X25 ZB	2,00			--
0058	VTVT00448	05156	SCREW TE 8X30 UNI5739	1,00			--
0059	MTCG44555	1330020	BELT DENTATA DAYCO/ISORAN	1,00			--
0060	LAFN00271	21301017	NUT FISSA PULEGGIA ALTERNA.	1,00			--
0061	LAFN47152	22601236	BRACKET PROTEZIONE	1,00			--
0062	VTVT00005	1105023	SCREW TE FR 5X12 ZB	5,00			--
0063	LAFN87156	2120125	CONTAINER BATTERY	2,00			--
0064	VTDD00124	SL05001	NUT M 8 BASSO	4,00			--
0065	VTRS00504	05242	WASHER D. 8 ZC. UNI 6592	4,00			--
0066	ABGO00009	1370013	VIBRATION DAMP. MM 40X30 8MAX25	4,00			--
0067	RCDS47173	22551001	NIPPLE 1/4 -M10X1.25	1,00			--
0068	TBBP00514		TUBE -	1,00			--
0070	RCDS00002	12551001	CAP 1/4" X IMPIANTO IDRAULICO	1,00			--
0071	FSVR00024	70066	HOSE COLLAR	1,00			--
0072	LAFN08184		PLATE -	1,00			--
0073	MOSC47149	1340035	MOTOR HONDA GX200-SX-4-OH	1,00			--
0074	VTVT75726	1105236	SCREW TBCE ISO 7380 6X16 ZB	5,00			--
0075	VTRS04026		WASHER D. 6X18X2.38	5,00			--
0076	VTDD00491		NUT M 6 TEF	5,00			--
0077	VTDD00491		NUT M 6 TEF	4,00			--
0078	VTRS00503	05118	WASHER D. 6 UNI 6798	4,00			--
0079	VTVT75726	1105236	SCREW TBCE ISO 7380 6X16 ZB	4,00			--
0080	VTVT15924	1105494	SCREW TCTC 4X16 ACCIAIO INOX	4,00			--
0081	VTVT15924	1105494	SCREW TCTC 4X16 ACCIAIO INOX	4,00			--
0082	VTVT75726	1105236	SCREW TBCE ISO 7380 6X16 ZB	2,00			--
0083	VTVT75726	1105236	SCREW TBCE ISO 7380 6X16 ZB	2,00			--
0084	VTVT62920	1105162	SCREW TE FR 6X16 ZB ZIGRINATE	2,00			--
0085	VTVT75725	1105234	SCREW TBCE ISO 7380 6X10 ZB	2,00			--
0086	VTVT75725	1105234	SCREW TBCE ISO 7380 6X10 ZB	2,00			--
0087	VTVT62920	1105162	SCREW TE FR 6X16 ZB ZIGRINATE	2,00			--
0088	VTVT00527		SCREW TE FR 6X10 ZB ZIG.	1,00			--
0089	VTRS00274	SL06064	WASHER NYLON 66 D.8,4-17-2 UNI	2,00	17/12/2015		--
0090	LAFN09413		BUSHING -	2,00	17/12/2015		--



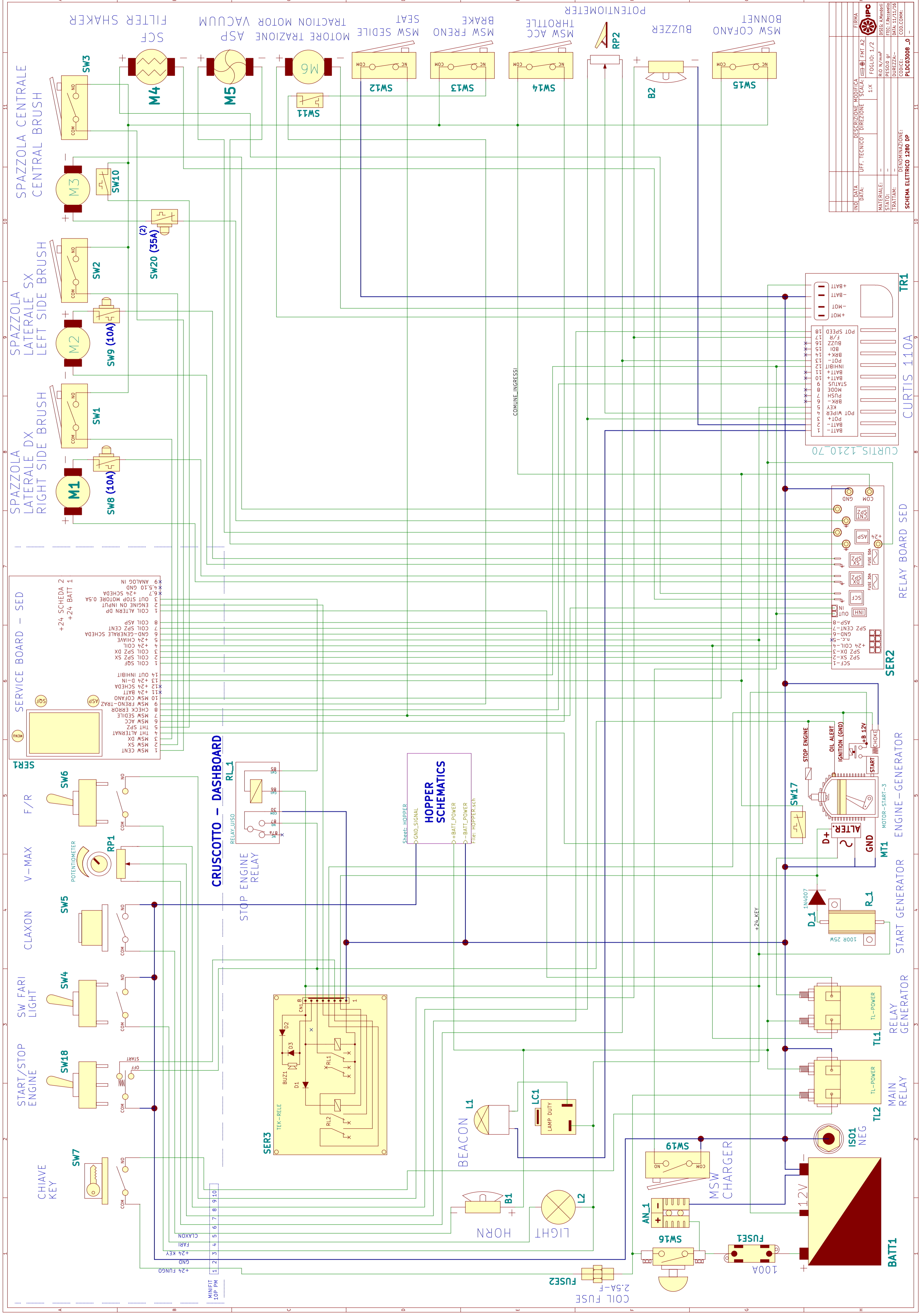
Ref. K	Part n.	Part n. 2	Description	Quantity	Validity		Price
					From	To	
0001	ABGO00026	70775	VIBRATION DAMP.	2,00			--
0002	VTDD10776	05094	NUT M 8 X1 UNI 5588	4,00			--
0003	LAFN07862		BRACKET -	1,00			--
0004	MECI75801	1380001	MICROSWITCH A PISTONE (MS/10-Z15GC)	1,00			--
0005	MEVR34820	SL23838	WIRING BATTERY BRIDGE W/TERMINAL	3,00			--
0006	MECI00114	70319	MICROSWITCH	1,00			--
0007	ETET01798		LABEL -	1,00			--
0008	VTVT19236	1105777	SCREW TCCE UNI 5931 5X20 ZB	2,00			--
0009	MEVR01079	SL23010K	PLUG M CB50 A 600V RD.	1,00			--
0010	MECI00571		BUTTON EMERGENCY BL.SB 1250	1,00			--
0011	MEVR00146	1380151	FUSE-HOLDER MEGA	1,00			--
0012	MEVR00145	1380150	FUSE 100A	1,00			--
0013	MECE00592		BOARD POWER SERVICE 1250-1280	1,00			--
0014	MECE00201	71337	RELAIS 24V 10-20 A	1,00			--
0015	MECE00201	71337	RELAIS 24V 10-20 A	1,00			--
0016	MPVR85654	13201006	PEDAL COVER PICCOLO V1020	1,00			--
0017	LAFN08165		PEDAL -	1,00			--
0018	VTDD00124	SL05001	NUT M 8 BASSO	1,00			--
0019	MECI75801	1380001	MICROSWITCH A PISTONE (MS/10-Z15GC)	2,00			--
0020	KTRI02289		KIT 1250-80	1,00			--
0021	LAFN04042	SL07527	SPACER D8.5-15	1,00			--
0022	VTRS00504	05242	WASHER D. 8 ZC. UNI 6592	1,00			--
0023	LAFN75969	2230005	PIN SOSTEGNO CINGHI D.9 H.33	1,00			--
0024	VTVT01688		SCREW TBEI M 8X 30 ISO 7380 IX	1,00			--
0025	MTIG85317	22501006	GEAR ACCELERATORE TK1000	1,00			--
0026	MLML85997	22051007	SPRING A TORSIONE D.2 TK1000Egz	1,00			--
0027	LAFN47084	21101019	BUSHING ACCELERATORE TK 1000	1,00			--
0028	VTVT00452	05020	SCREW TE 8X 50 UNI 5739	1,00			--
0029	MTIG85318	22501011	GEAR POTENZIOMETRO ACCEL.1000E	1,00			--
0030	VTVT00021	1105071	SCREW TE UNI 5739 3X25 ZB	2,00			--
0031	VTDD00001	1105120	NUT UNI 5588 M3 ZB	4,00			--
0032	MECI30642	SL23021	MICRO-SWITCH 11A 0.33HP	1,00			--
0033	MEVR02112		HORN 24V	1,00	12/10/2015		--
0033	MEVR33430		KLAXON K100/Y 1A 24V	1,00		11/10/2015	--
0034	VTVT00527		SCREW TE FR 6X10 ZB ZIG.	1,00			--
0035	LAFN47030	21101006	BUSHING FISS.PEDALE FRENO FORATA	1,00			--
0036	VTVT75731	1105482	GRUB SCREW UNI 5923 6X5	1,00			--
0037	MPVR45096	13201007	PEDAL COVER GRANDE V1021	1,00			--
0038	LAFN47030	21101006	BUSHING FISS.PEDALE FRENO FORATA	1,00			--
0039	LAFN09344		PEDAL -	1,00			--
0040	LAFN47019	21101012	BUSHING FISSAGGIO PEDALE FRENO	1,00			--
0041	LAFN47036	22301004	PIN FISS.PEDALE FRENO+ALZAFI.	1,00			--
0042	VTAE87276	1105410	SEEGER EXT. D10 DIN471	1,00			--
0043	VTVT75731	1105482	GRUB SCREW UNI 5923 6X5	1,00			--



Ref. K	Part n.	Part n. 2	Description	Quantity	Validity		Price
					From	To	
0044	LAFN47035	2230015	PIN CH.10 H.26 ATTACCO MOLLA	1,00			--
0045	MLML75960	2205005	SPRING TRAZIONE TK D.8X1X29 ZB	1,00			--
0046	LAFN47029	2230012	PIN CH.10 H.16 ATTACCO MOLLA	1,00			--
0047	LAFN47032	22601002	PEDAL BLOCCO FRENO TK1000 ZINC	1,00			--
0048	VTVT75731	1105482	GRUB SCREW UNI 5923 6X5	1,00			--
0049	LAFN47033	21101005	BUSHING FISSAGGIO PERNO PEDALI	1,00			--
0050	LAFN47031	22301007	PIN PEDALE BLOCCO FRENO 1000	1,00			--
0051	VTAE87276	1105410	SEEGER EXT. D10 DIN471	1,00			--
0052	LAFN47030	21101006	BUSHING FISS.PEDALE FRENO FORATA	1,00			--
0053	LAFN47030	21101006	BUSHING FISS.PEDALE FRENO FORATA	1,00			--
0054	MECE00201	71337	RELAIS 24V 10-20 A	1,00			--
0055	MEVR01136	SL23148	FUSE 30A	1,00			--
0056	MEVR02060		FUSE 40A	1,00			--
0057	VTDD21115	SL05019	NUT M 3 INOX	2,00			--
0058	LAFN08202		PLATE -	1,00			--
0059	MECE00601		BOARD 1250-1280	1,00			--
0060	MECE00591		BOARD LOGIC 1250-1280	1,00			--
0061	LAFN08204		SUPPORT METAL DASHBOARD 1250	1,00			--
0062	MEVR02017		BEEPER -	1,00			--
0063	MECE00182	70989	BUZZER	1,00			--
0064	MEVR01941		POTENTIOMETER 100K	1,00			--
0065	KTRI01935		KIT 1050-1202	1,00			--
0066	MEVR85330	1180012	BUTTON -	1,00			--
0067	MCI75805	13801001	SWITCH KEY FOR BATTERY MACHINES	1,00			--
0068	MCI00520		SMALL BASKET FIX TO FIX CONTACT	1,00			--
0069	MCI00518		CONTACT NC	1,00			--
0070	MCI00572		SELECTOR -	1,00			--
0071	VTVT00311	75218	SCREW TE M4X12	1,00			--
0072	VTDD04368	05090	NUT M 4 ZIN UNI 5588	1,00			--
0073	VTDD00491		NUT M 6 TEF	1,00			--
0074	VTDD00124	SL05001	NUT M 8 BASSO	2,00			--
0075	MEVR01116	SL23103	SUPPORT FUSIBILE 120 A	2,00			--
0076	VTRS01080	05136	WASHER D. 8 GRW	2,00			--
0077	VTDD00483	05092	NUT M 8 ZIN UNI 5588	2,00			--
0078	VTVT01529	75104	SCREW TE M4X20 ZINC. UNI 5739	2,00			--
0079	VTDD04369	75259	NUT M 4 TEF UNI 7473	2,00			--
0080	VTVT00527		SCREW TE FR 6X10 ZB ZIG.	3,00			--
0081	VTVT00659	SL04065	SCREW TC+ M. 4-15	8,00			--
0082	MEVR01708		COLUMN -	4,00			--
0083	VTVT75726	1105236	SCREW TBCE ISO 7380 6X16 ZB	2,00			--
0084	VTRS00503	05118	WASHER D. 6 UNI 6798	2,00			--
0085	VTDD00491		NUT M 6 TEF	2,00			--
0086	VTVT01170		SCREW TC 2X16	2,00			--
0087	MERL00018		MICROSWITCH	1,00			--



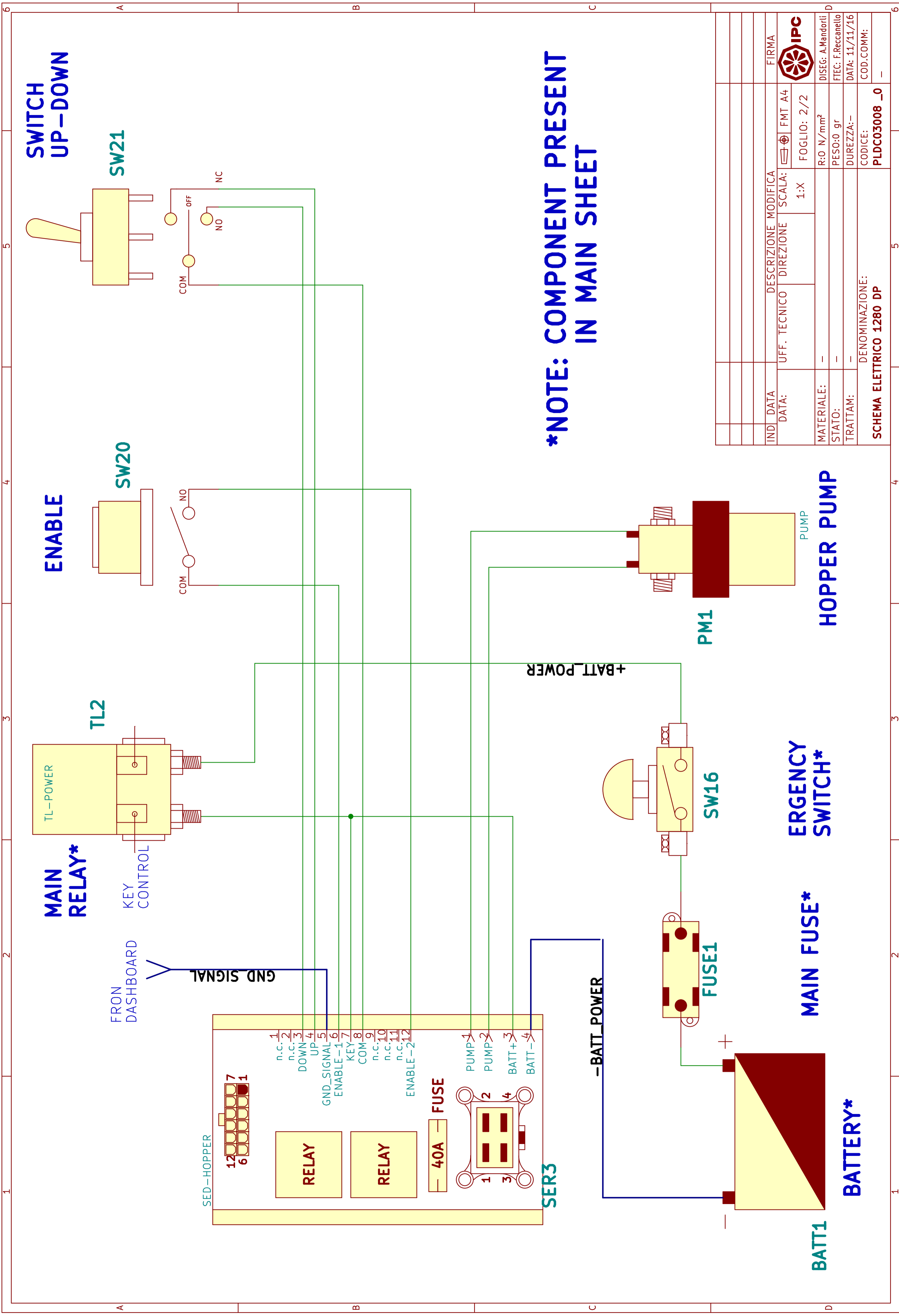
Ref. K	Part n.	Part n. 2	Description	Quantity	Validity		Price
					From	To	
0088	VTDD00213		NUT M2	2,00			--
0089	VTVT16939	SL04401	SCREW M 4X 16 TSPEI UNI 5933	2,00			--
0090	VTDD04369	75259	NUT M 4 TEF UNI 7473	2,00			--
0091	LAFN09383		BRACKET -	1,00			--
0092	VTVT01350		SCREW M3-20 INOX	2,00			--
0093	MERL00016		SWITCH RELAY 24V	1,00			--
0094	MERL00016		SWITCH RELAY 24V	1,00			--
0095	MECE00456		RELAY CT110	1,00			--
0096	MECI00523		BUTTON WHITE	1,00			--
0097	MECI00520		SMALL BASKET FIX TO FIX CONTACT	1,00			--
0098	MECI00517		CONTACT NO 3-4	1,00			--
0099	MEVR01975		RUBBER DEVIATORE	1,00			--
0100	MECI00573		SELECTOR -	1,00			--
0101	MECE00596		BOARD 1280	1,00			--
0102	VTVT00003	1105001	SCREW TE M 4X 12 ZC. UNI 5739	2,00			--
0103	VTRS00501	05109	WASHER D. 4 0.232 UNI 6592	2,00			--
0104	VTDD04369	75259	NUT M 4 TEF UNI 7473	2,00			--
0105	MERL00012		SWITCH RELAY 12V	1,00			--
0106	MERL00012		SWITCH RELAY 12V	1,00			--
0107	MECE45124	21801054	PCB RELÈ TK1400	1,00			--
0108	MECI75945	21801013	COMMUTAT.SWITCH 3 POSIZ.FUNZ.MACCH.+CAPP	1,00			--
0109	VTVT01669		SCREW M4x6 UNI5739 znt cl.4.8	2,00	12/10/2015		--
0110	VTRS00501	05109	WASHER D. 4 0.232 UNI 6592	2,00	12/10/2015		--
0111	LAFN09488		PLATE	1,00	12/10/2015		--
0112	MECI00532		CONTACTOR 24V-100A	1,00	12/10/2015		--
0113	MEVR00080	1380090	FUSE-HOLDER PV610 10A	1,00	12/10/2015		--
0114	MEVR00072	1380079	FUSE 2.5A F6.3X32-100/110V	1,00	12/10/2015		--
0115	VTVT34115	75019	SCREW TE M 5X 10 UNI 5739	1,00	12/10/2015		--
0116	VTVT00005	1105023	SCREW TE FR 5X12 ZB	1,00	12/10/2015		--
0117	VTRS15958	1105808	WASHER UNI 6592 5X15X1,5 ZB	1,00	12/10/2015		--
0118	LAFN07380		BRACKET G1050	1,00	12/10/2015		--
0119	MTCR00029	70311	SMALL CHAIN	0,17	12/10/2015		--
0120	LAFN08166		PIN -	1,00			--
0121	LAFN03742	SL07164	SPACER SILENZIATORE	1,00			--
0122	VTRS00023	1105754	WASHER DENTATA INT.UNI 6798 D.18	1,00	10/11/2016		--
0123	VTDD00210		NUT M 3 AUTOBL.DIN 985 IX.A2	2,00	18/01/2017		--
0124	VTVT00722	SL04179	SCREW	2,00	18/01/2017		--
0125	MEVR02899		FUSE CIRCUIT BREAKER 35A	1,00	18/01/2017		--
0126	MEVR02900		CAP -	1,00	18/01/2017		--



IND. DATA	DESCRIZIONE MODIFICA	FIRMA
DATA	UFF. TECNICO DIREZIONE	FOLIOLO: 1/2
		IPCC
		DISEG. A.MARIOTTI
		FILE: P.E.L. 11/11/76
		PESO: 0 gr
		DATA: 11/11/76
		DUREZZA: -
		TRATTAM: -
	DEFINIZIONE:	CODICE:
	SCHEMA ELETTRICO 1280 DP	PLDCC03008_0

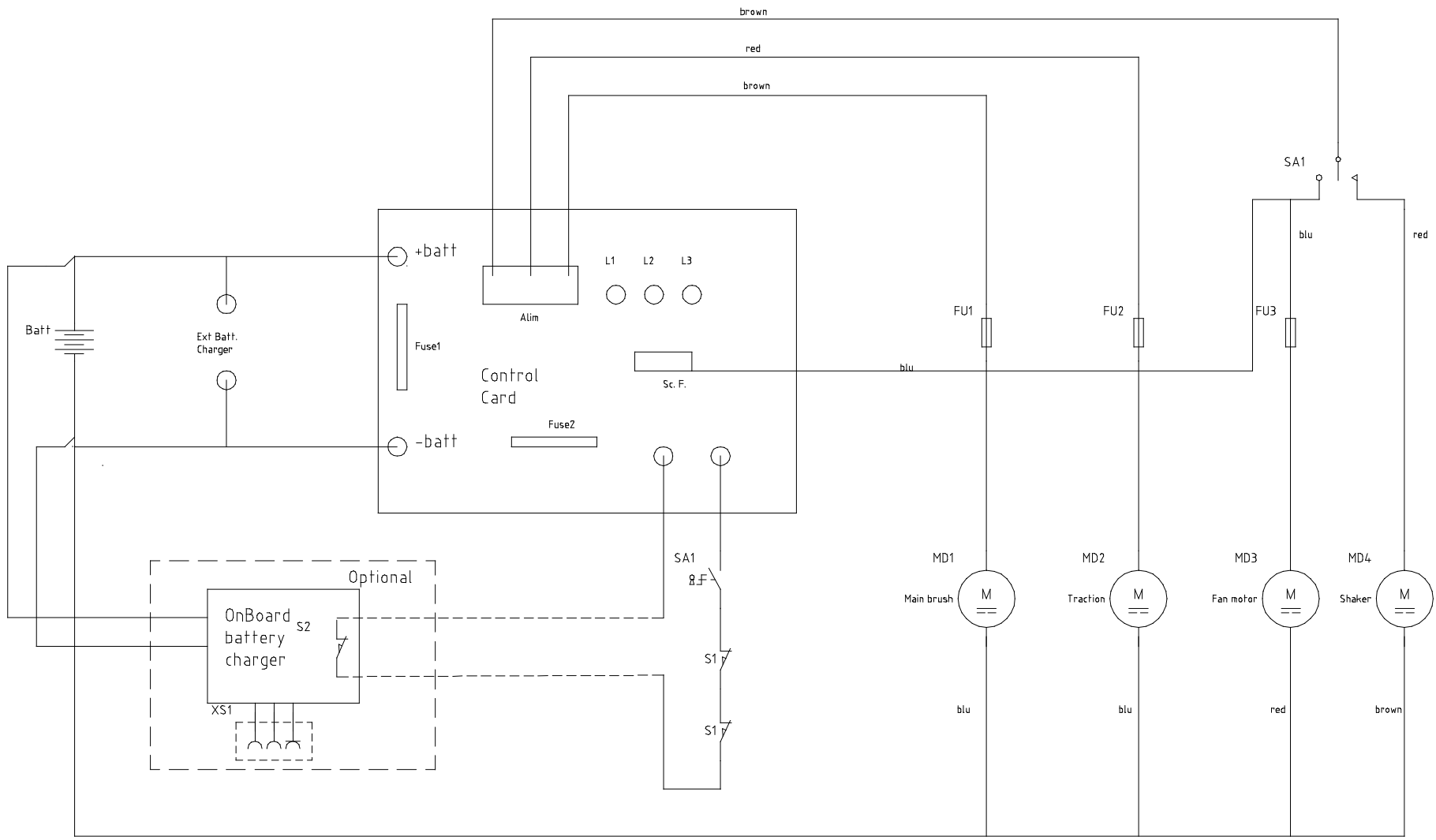
SERVICE BOARD - SED
 +24 SCHEDA 2
 +24 BATT 1
 K6,9 ANALOG IN
 K5,10 GND
 K6,7 +24 SCHEDA
 OUT STOP MOTORE 0,5A
 +24 SCHEDA
 +24 CHIAMÉ
 +24 COIL
 COIL SPZ DX
 COIL SPZ SX
 COIL SPZ CENT
 GND - GENERALE SCHEDA
 +24 COIL ASP
 COIL ALTERN DP
 ENGINE ON INPUT
 +24 BATT 1
 +24 CHIAMÉ
 +24 SCHEDA
 K13 +24 D-IN
 K12 +24 SCHEDA
 K11 +24 BATT
 MSW FRENO-TRAZ
 MSW SEDILE
 CHECK ERROR
 MSW ACC
 MSW SX
 MSW DX
 TH1 ALTERNAT
 TH1 SPZ
 TH1 ALT
 MSW ACC

Sheet: HOPPER
 >GND_SIGNAL
 >+BATT_POWER
 >-BATT_POWER
 File: HOPPERsch



***NOTE: COMPONENT PRESENT
IN MAIN SHEET**


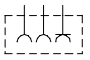



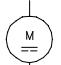
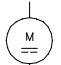
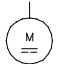
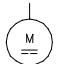
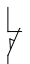
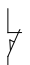
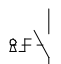
INDI	DATA	UFF. TECNICO	DESCRIZIONE MODIFICA	SCALA:	FMT A4	FIRMA
	DATA:		DIREZIONE	1:X	FOGLIO: 2/2	
	MATERIALE:	-				
	STATO:	-				
	TRATTAM:	-				
D						
R:0 N/mm²						
PESO:0 gr						
DUREZZA:-						
CODICE:						
DENOMINAZIONE: SCHEMA ELETTRICO 1280 DP						
PLDC03008_0						
DISEG: A.Mandorli						
FIEC: F.Reccanello						
DATA: 11/11/16						
COD.COMM: -						




TOLLERANZE GENERALI LAVORAZIONE GENERALE

1		18/01/2010	AGGIUNTO SECONDO MICRO COFANO		BENEVELLI		
IND.	DATA	DESCRIZIONE MODIFICA			FIRMA	MT N°	
P.GREZZO:	0	g	DERIVAZ.:	PIANO CONTR.	TRASMESSO IL:		 SCALA
P.FINITO:	0	g	STAMPO:	FILE 3D:	R : N/mm		
MATERIALE:					STATO:		SOSTITUISCE:
TRATTAM.:					DUREZZA:		
FAMIGLIA		DENOMINAZIONE				DIS. COD.	
ELETT		SCHEMA ELETTRICO 512/712 U.T.				512 PLDC01562	

== IL PRESENTE DISEGNO E' DI PROPRIETA' DELLA IP CLEANING S.p.a. == NE E' VIETATA LA RIPRODUZIONE O LA DIVULGAZIONE A TERMINI DI LEGGE ==

Sim.\Sym.	Sigla\Item	Funzione\Use Type	Sim.\Sym.	Sigla\Item	Funzione\Use Type	Sim.\Sym.	Sigla\Item	Funzione\Use Type
	Batt =QG 1	Battery		XS1 =QG 1	Plug			
	FU1 =QG 1	Fuse						
	FU2 =QG 1	Fuse						
	FU3 =QG 1	Fuse						
	MD1 =QG 1	Main brush						
	MD2 =QG 1	Traction						
	MD3 =QG 1	Fan motor						
	MD4 =QG 1	Shaker						
	S1 =QG 1	Hood microswitch						
	S2 =QG 1	Battery charger enable switch						
	SA1 =QG 1	TURN ON Key						

TOLLERANZE GENERALI				LAVORAZIONE GENERALE			
IND.	DATA	DESCRIZIONE MODIFICA		FIRMA	MT N°	 IPC DISEG.: MBENEVELLI FTECN: RECCANELLO DATA: 18/01/2010 FOGLIO: 2/2 IE: PLDC01562	
P.GREZZO: 0	g	DERIVAZ.:	PIANO CONTR.	TRASMESSO IL:	SCALA		
P.FINITO: 0	g	STAMPO:	FILE 3D:	R :	N/mm		
MATERIALE:				MAT.PR:	SOSTITUISCE:		
STATO:				DUREZZA:			
TRATTAM.:				DENOMINAZIONE		DIS. COD.	
ELETT		SCHEMA ELETTRICO 512/712 U.T.				512	PLDC01562