



IPC

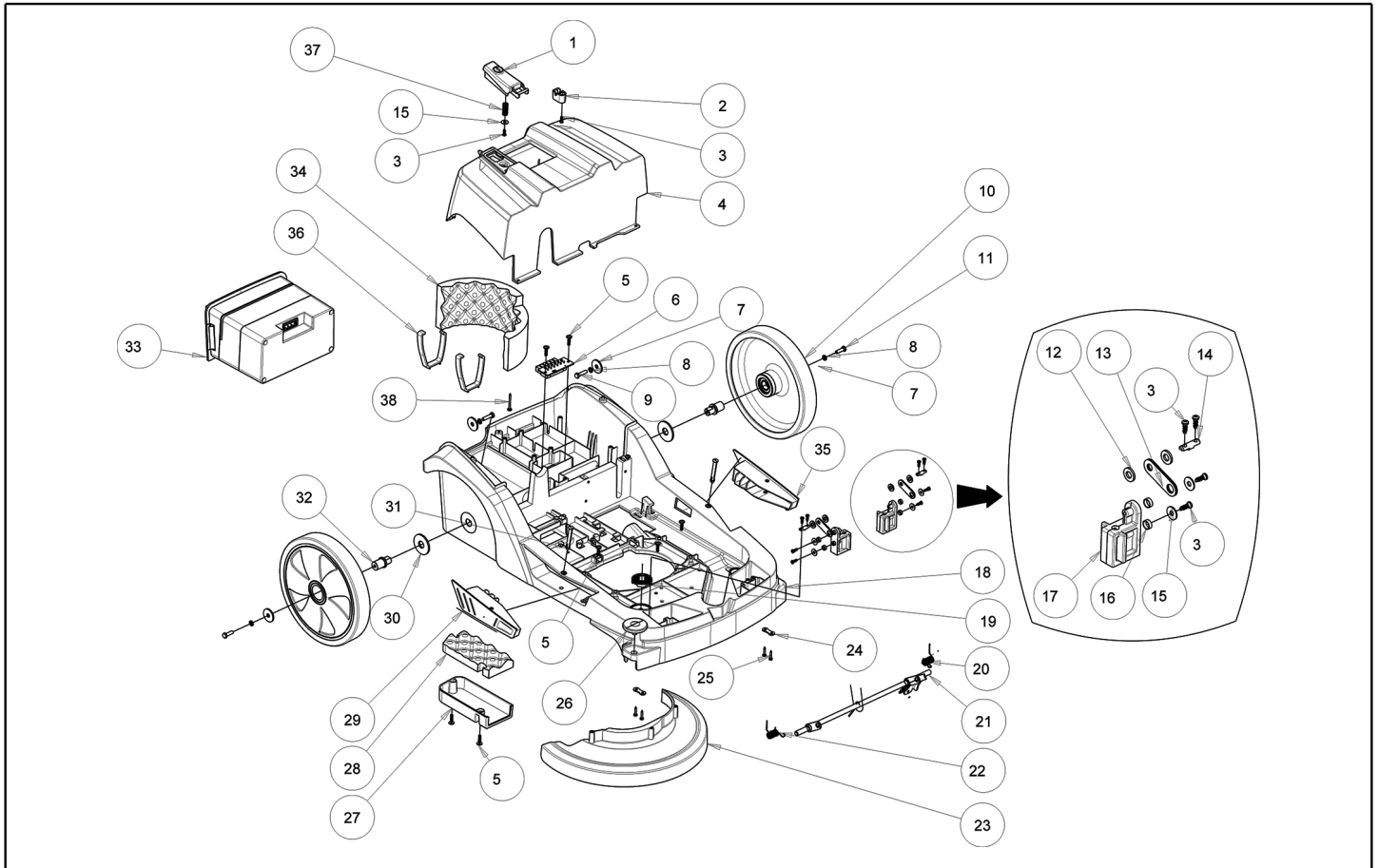
Spare parts list

Ref: LPTB01737

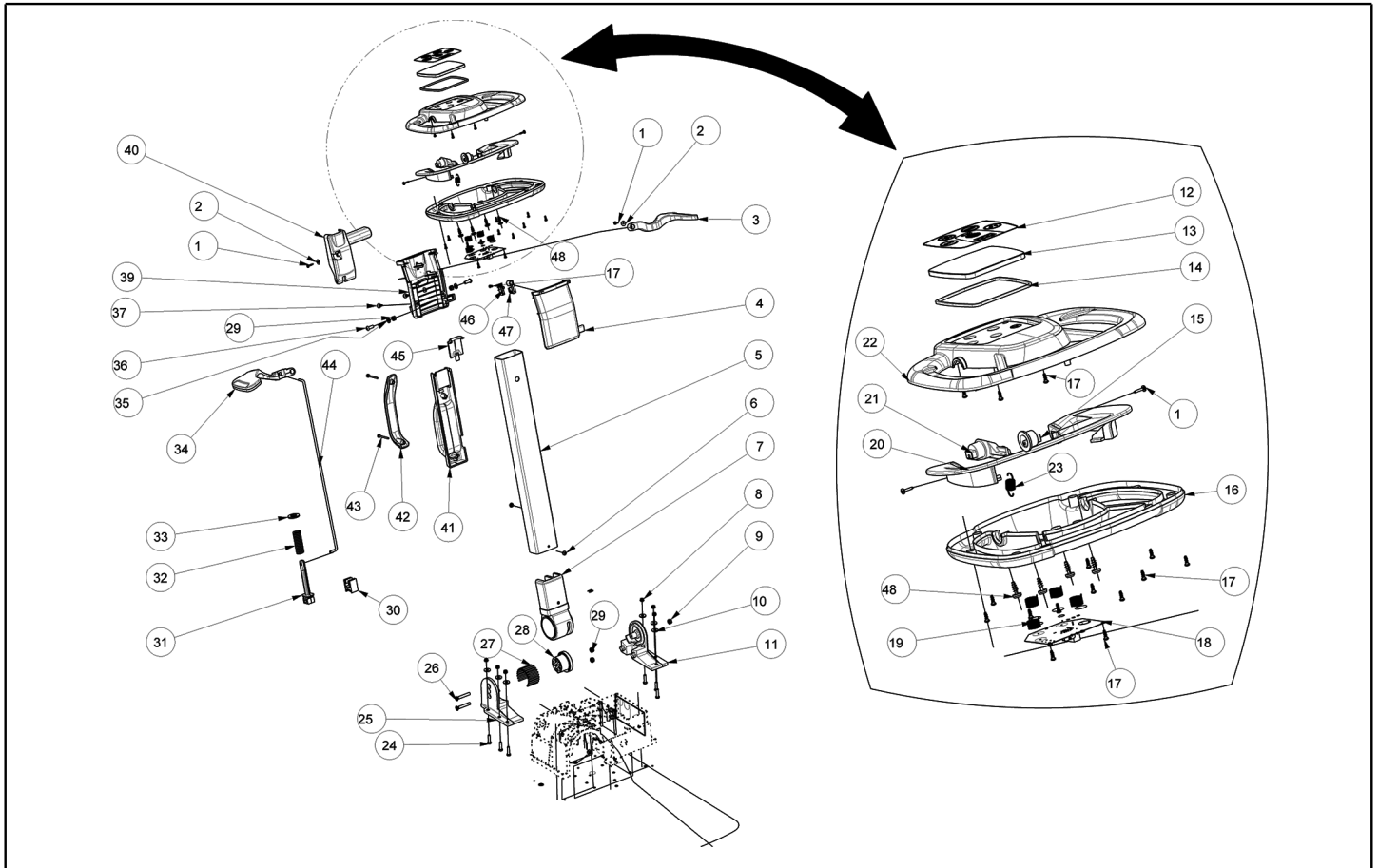
Model: FLOOR WASHER CT5 B EU BATTERY 7,2Ah



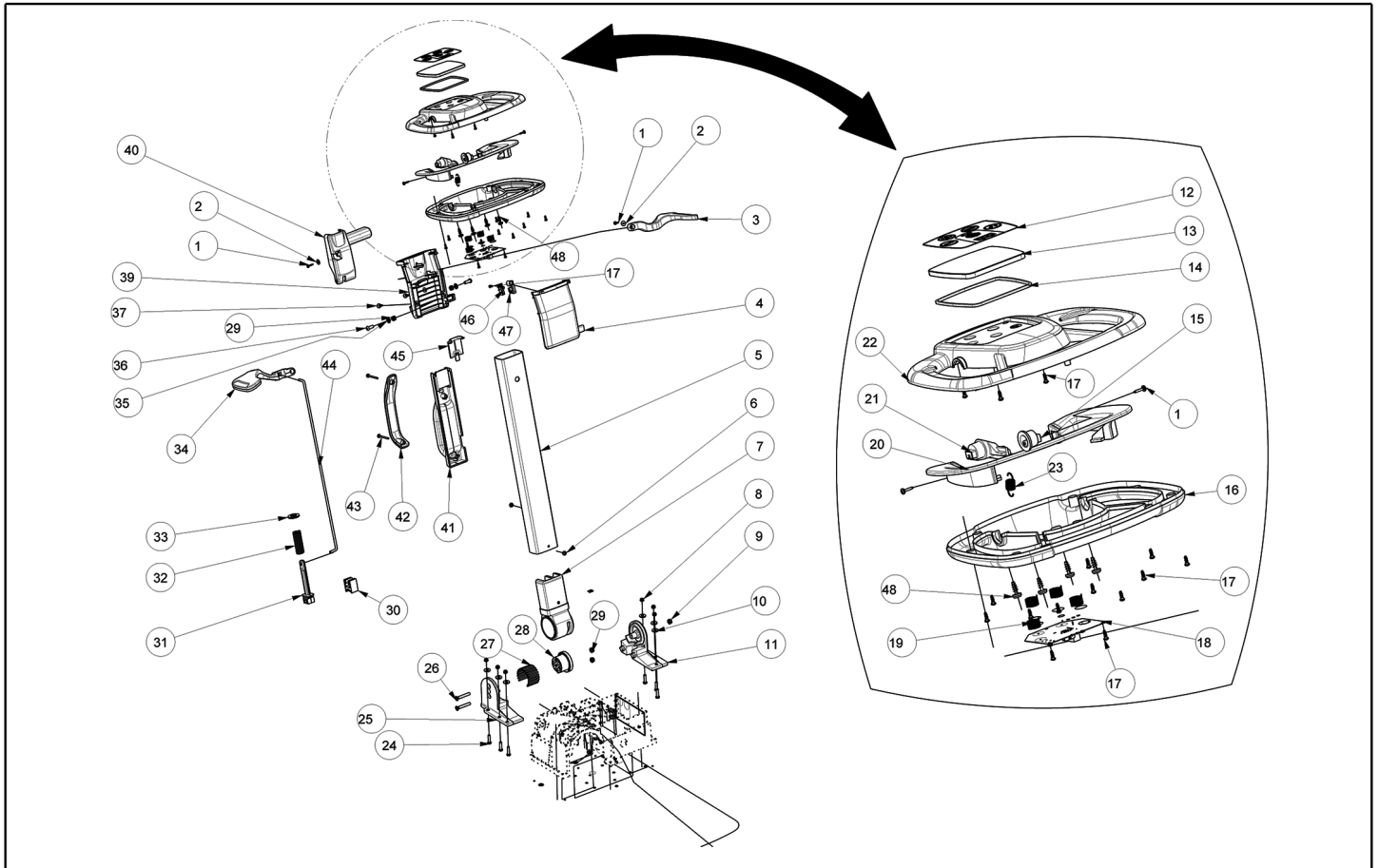
IMPORT: TAVERNARO AG
Seuzachstrasse 28
CH-8413 Neftenbach-Winterthur
Telefon: 052 315 19 78, Fax: 052 315 30 70
info@taverno.com, www.cleanshop.ch



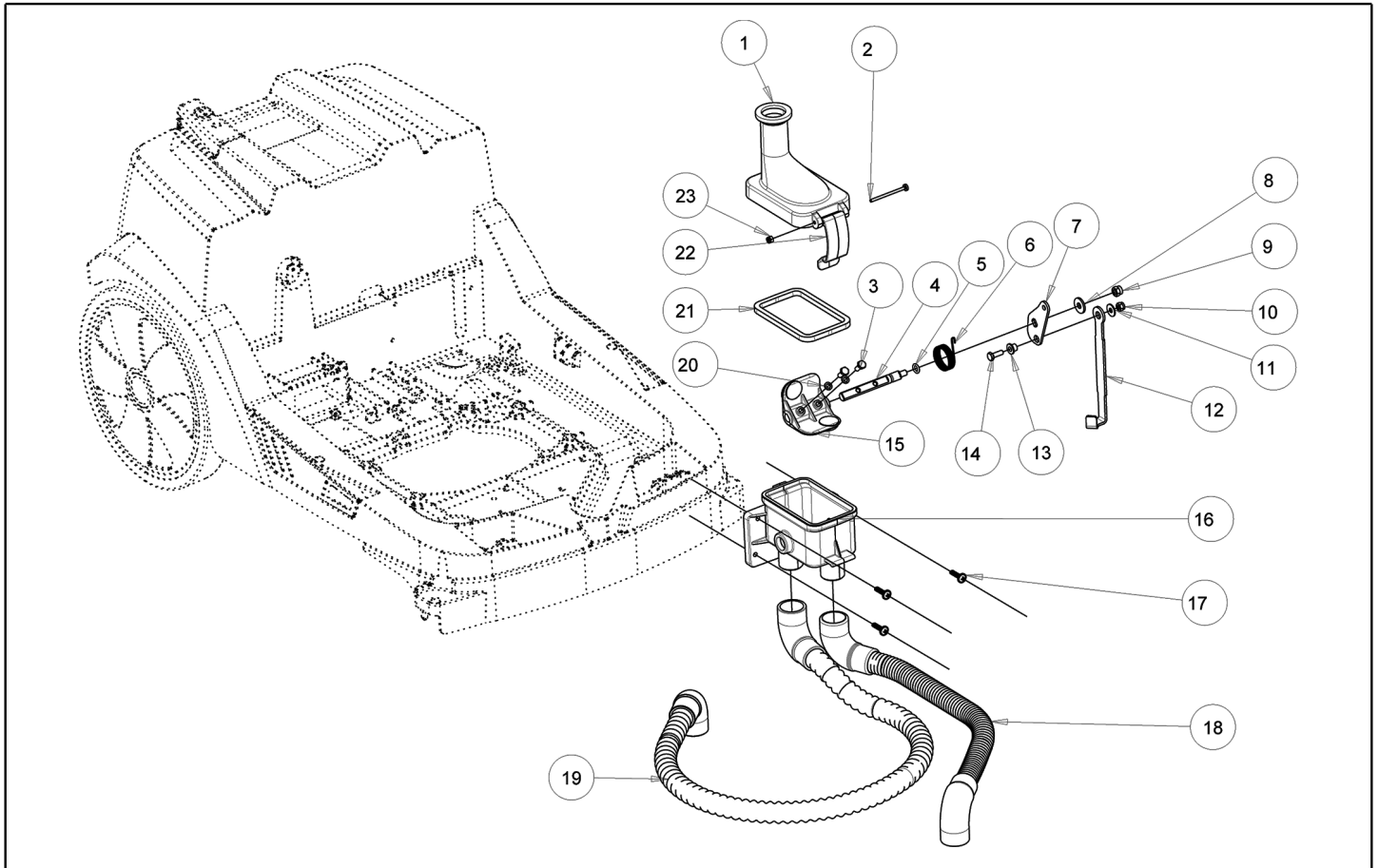
Ref. K	Part n.	Part n. 2	Description	Quantity	Validity		Price
					From	To	
0001	MPVR12254		SWITCH ON-OFF CT5	1,00			--
0002	MPVR12288		CONNECT.BRACKET CT5BUTTON ON-OFF	1,00			--
0003	VTVT00820		SCREW TC+ M.3.5-10	10,00			--
0004	MPVR12250		CRANKCASE REAR CT5	1,00			--
0005	VTVT01071		SCREW STS KN1031-Neu 4x16 - H2	9,00			--
0006	MECB02081		WIRING CT5 36VDC	1,00			--
0007	VTVR00636		WASHER 5x20 UNI6593 INOX	4,00			--
0008	VTRS15908		WASHER D. 5 INX GRW UNI 1751	4,00			--
0009	VTVT07726		SCREW TE 5X20	2,00			--
0010	RTRT00708		WHEEL D.200 CT5	2,00			--
0011	VTVT07725		SCREW TE 5X16 UNI5739 INX	2,00			--
0012	VTRS00245		WASHER D.6 UNI 6592 INOX	4,00			--
0013	LAFN11375		BRACKET FRONT SQUEEGEE CT5	2,00			--
0014	ALTR00107		SHAFT .	2,00			--
0015	VTRS00017		WASHER STEEL INOX 4X12	5,00			--
0016	LAFN11383		SPACER .	4,00			--
0017	MPVR12274		SUPPORT REAR SQUEEGEE CT5	2,00			--
0018	MPVR12221		FRAME CT5	1,00			--
0019	MPVR12348		FILTER CT5 SOLUTION TANK	1,00			--
0020	MLML00508		SPRING RH FLOOR WIPER	1,00			--
0021	LAFN11376		LEVER .	1,00			--
0022	MLML00509		SPRING LH FLOOR WIPER	1,00			--
0023	MPVR12228		COVERING BRUSH CT5	1,00			--
0024	LAFN11377		PLATE .	2,00			--
0025	VTVT01210		SCREW TCB 3,5X16	4,00			--
0026	MPVR12311		WHEEL FRONT SQUEEGEE	1,00			--
0027	MPVR12452		COVER CT5	1,00			--
0028	ITSO00107		INSULATOR CT5	1,00			--
0029	MPVR12222		LEVER RIGHT	1,00			--
0030	VTRS00612		WASHER D.12 X 36 INOX	2,00			--
0031	MPVR12224		PIN CT5	2,00			--
0032	ALTR00108		SHAFT .	2,00			--
0033	BAAC00193		BATTERY CT5	1,00			--
0034	ITSO00108		INSULATOR CT5	1,00			--
0035	MPVR12223		LEVER LEFT	1,00			--
0036	MPVR12453		SPRING CT5	2,00			--
0037	MLML00512		SPRING CT5 ON-OFF	1,00			--
0038	VTVT01489		SCREW TCB-TC 3.5X32	1,00			--



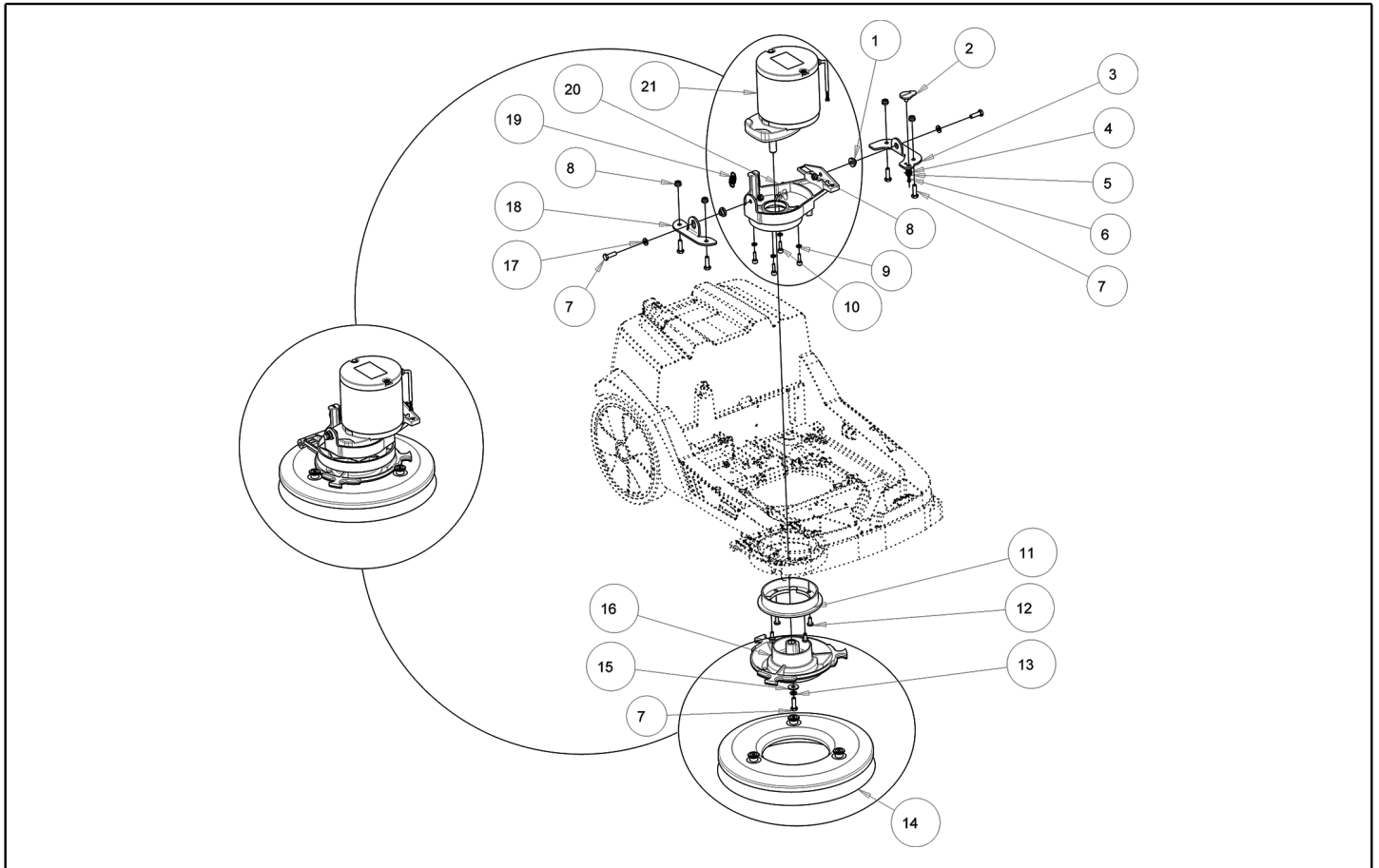
Ref. K	Part n.	Part n. 2	Description	Quantity	Validity		Price
					From	To	
0001	VTVT28553		SCREW TCB-TC 3.5X16	4,00			--
0002	VTRS00017		WASHER STEEL INOX 4X12	2,00			--
0003	MPVR12269		LEVER CT5	1,00			--
0004	MPVR12271		SUPPORT ANTERIOR BOARD CT5	1,00			--
0005	MFVR00317		HANDLE ALUMINIUM CT5	1,00			--
0006	VTVT01694		SCREW SELF TAPPING 4.8X9.5 SUS	2,00			--
0007	MPVR12260		HANDLE JOINT CT5	1,00			--
0008	VTDD01693		NUT M 5 INX	6,00			--
0009	VTDD01694		NUT M6 INOX	1,00			--
0010	VTRS13750		WASHER D. 5X14 INX	6,00			--
0011	MPVR12259		SUPPORT HANDLE CT5	1,00			--
0012	ETET16172		LABEL BOARD CT5 B	1,00			--
0013	MPVR12278		PROTECTION TRANSPARENT DASHBOARD	1,00			--
0014	GUGO00620		MOUSSE BOARD CT5	1,00			--
0015	MPVR12281		BLADE LH PADDLE CT5	1,00			--
0016	MPVR12267		BASE CT5 BOARD	1,00			--
0017	VTVT00820		SCREW TC+ M.3,5-10	18,00			--
0018	MECE00813		BOARD LOGIC PANEL CT5	1,00			--
0019	MLML00518		SPRING TOUCH CT5	4,00			--
0020	MPVR12266		PADDLE ACTIVATION CT5	1,00			--
0021	MPVR12280		SUPPORT RH PADDLE CT5	1,00			--
0022	MPVR12265		DASHBOARD CT5	1,00			--
0023	MLML00505		SPRING PADDLE	1,00			--
0024	VTVT07726		SCREW TE 5X20	6,00			--
0025	MPVR12258		SUPPORT HANDLE CT5	1,00			--
0026	VTVT01488		SCREW M6X40 UNI933 A2	2,00			--
0027	LAFN11415		PIN HANDLE CT5	18,00			--
0028	MPVR12289		BLOCK CT5BUTTON ON-OFF	1,00			--
0029	VTDD01700		NUT M6 INOX+ZIN.	4,00			--
0030	MFVR00320		SUPPORT -	1,00			--
0031	MPVR12261		RACK HANDLE CT5	1,00			--
0032	MLML00503		SPRING BLOCK ARTICULATION HANDLE	1,00			--
0033	VTRS00250		WASHER D.14	1,00			--
0034	MPVR12270		LEVER CT5	1,00			--
0035	VTRS00245		WASHER D.6 UNI 6592 INOX	2,00			--
0036	VTVT00787		SCREW TBEI M 6-16	2,00			--
0037	VTVT01072		SCREW STS KN1038 5x16 - T20 A2	2,00			--
0038	MPVR12247		SUPPORT VACUUM MOTOR CT5	1,00			--
0039	MPVR12272		SUPPORT REAR BOARD CT5	1,00			--
0040	MPVR12273		LEVER ANTERIOR SQUEEGEE CT5	1,00			--
0041	MPVR12262		HANDLE TRANSPORT CT5	1,00			--
0042	MPVR12263		COVERING OUTLET HANDLE CT5	1,00			--
0043	VTVT00890		SCREW TC+ M.4-40	2,00			--
0044	LAFN11397		ROD CT5 HANDLE	1,00			--



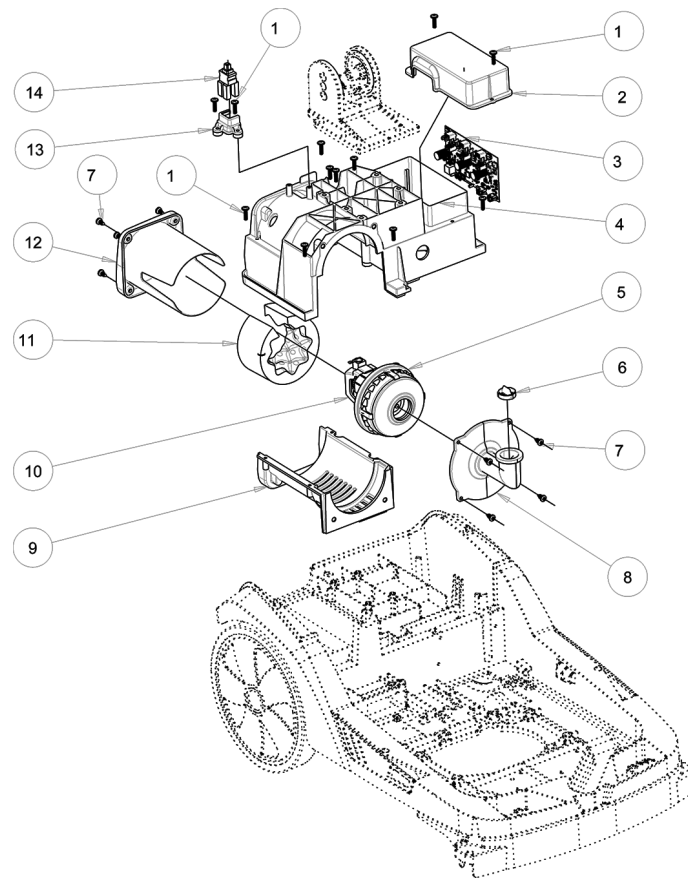
Ref. K	Part n.	Part n. 2	Description	Quantity	Validity		Price
					From	To	
0045	MPVR12264		CAP OUTLET HANDLE CT5	1,00			--
0046	MECI00588		MICROSWITCH -	1,00			--
0047	MPVR12486		SUPPORT CT5	1,00			--
0048	VTVT01073		SCREW STS KN1039 6x16 - T25 A2	4,00			--



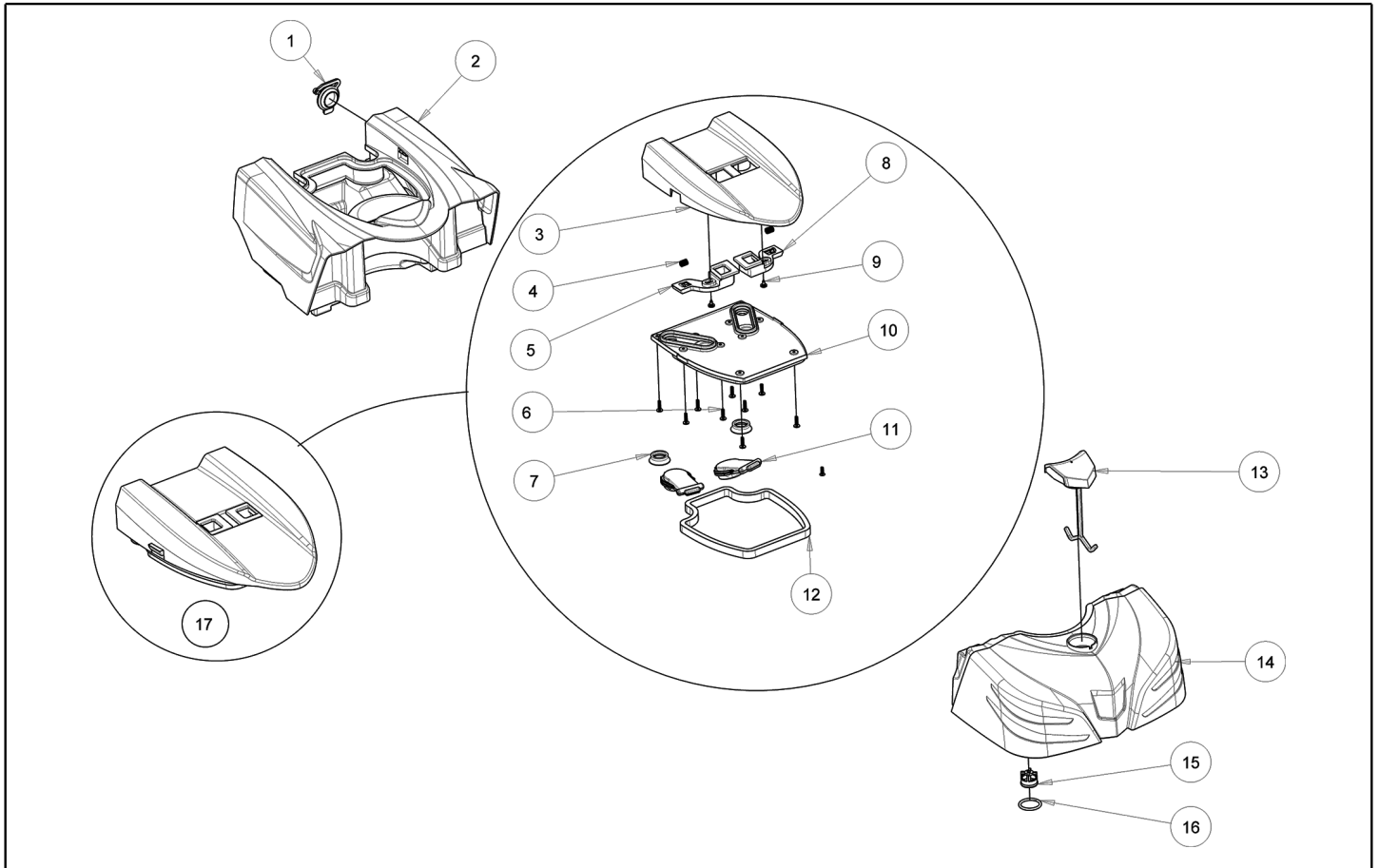
Ref. K	Part n.	Part n. 2	Description	Quantity	Validity		Price
					From	To	
0001	MPVR12256		COVER VALVE CT5	1,00			--
0002	VTVT00680		SCREW M3X40 A2 CROSSHEAD	1,00			--
0003	VTVT21096		SCREW TE M 4X 10 INX	2,00			--
0004	ALTR00109		SHAFT .	1,00			--
0005	GUGO00615		O-RING NBR70 5,8X1,78	1,00			--
0006	MLML00510		SPRING VALVE	1,00			--
0007	LAFN11371		BRACKET .	1,00			--
0008	VTRS13750		WASHER D. 5X14 INX	1,00			--
0009	VTDD15517		NUT M 5 INX	1,00			--
0010	VTDD00055		NUT M 4 ATB A2	1,00			--
0011	VTRS00017		WASHER STEEL INOX 4X12	1,00			--
0012	LAFN11372		LEVER .	1,00			--
0013	LAFN11392		SPACER .	1,00			--
0014	VTVT00817		SCREW TE M4x12 UNI 5739 INOX	1,00			--
0015	MPVR12257		VALVE CT5	1,00			--
0016	MPVR12528		BODY VALVE CT5	1,00			--
0017	VTVT01071		SCREW STS KN1031-Neu 4x16 - H2	3,00			--
0018	TBFX01283		HOSE FRONT SQUEEGEE	1,00			--
0019	TBFX01282		HOSE REAR SQUEEGEE	1,00			--
0020	VTRS15913		WASHER D. 4 GROVER A2 UNI1751	2,00			--
0021	GUGO00621		GASKET FLOW VALVE LID CT5	1,00			--
0022	MPVR12283		CAP CT5	1,00			--
0023	VTDD00210		NUT M 3 AUTOBL.DIN 985 IX.A2	1,00			--



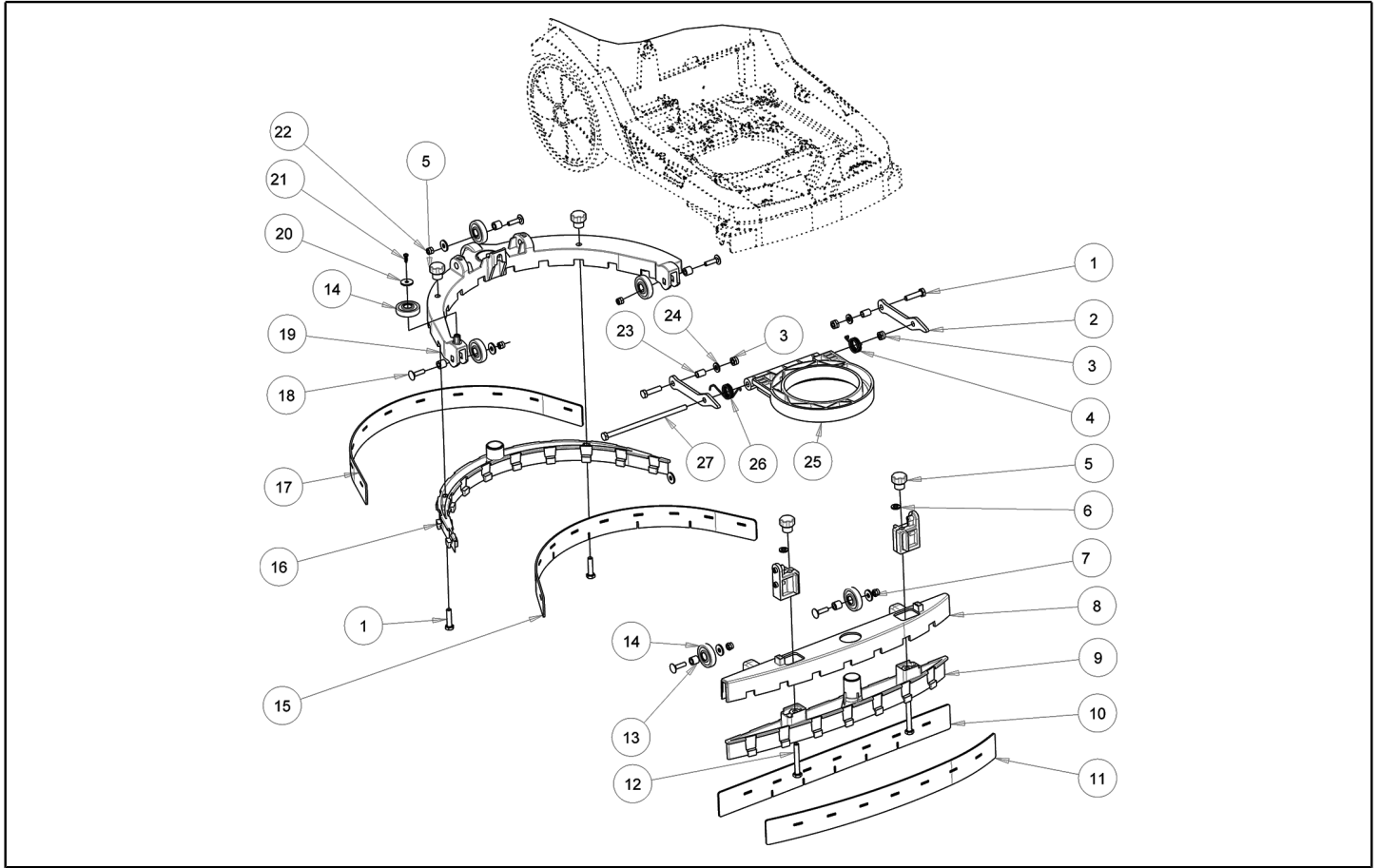
Ref. K	Part n.	Part n. 2	Description	Quantity	Validity		Price
					From	To	
0001	LAFN11378		SPACER .	2,00			--
0002	MPVR12485		SMALL KNOB CT5	1,00			--
0003	LAFN11373		BRACKET .	1,00			--
0004	MLML00524		SPRING LEVER TRACTION CT5	1,00			--
0005	VTRS00515		WASHER D. 4 INX	1,00			--
0006	VTVT00820		SCREW TC+ M.3,5-10	1,00			--
0007	VTVT13939		SCREW TE 6X20 UNI5739 INX	7,00			--
0008	VTDD01700		NUT M6 INOX+ZIN.	6,00			--
0009	VTRS15908		WASHER D. 5 INX GRW UNI 1751	4,00			--
0010	VTVT17720		SCREW TCEI M 5X16 INOX	4,00			--
0011	MPVR12229		FLANGE SQUEEGEE ROTATION CT5	1,00			--
0012	VTVT13795		SCREW TCB-TC 5X12 SW.FORM	4,00			--
0013	VTRS15144		WASHER D. 6 INX GRW UNI 1751	1,00			--
0014	SPPV02438		BRUSH Ø 276 PPN030	1,00			--
0015	VTRS13945		WASHER D. 6X18 INX UNI 6593	1,00			--
0016	MFVR00305		DRIVE DISK CT5	1,00			--
0017	VTRS00245		WASHER D.6 UNI 6592 INOX	2,00			--
0018	LAFN11374		BRACKET .	1,00			--
0019	MLML00504		SPRING MOTOR BRUSH	1,00			--
0020	MFVR00304		SUPPORT BRUSH MOTOR CT5	1,00			--
0021	MOCC00477		MOTOR BRUSH 36V 100W IP44	1,00			--



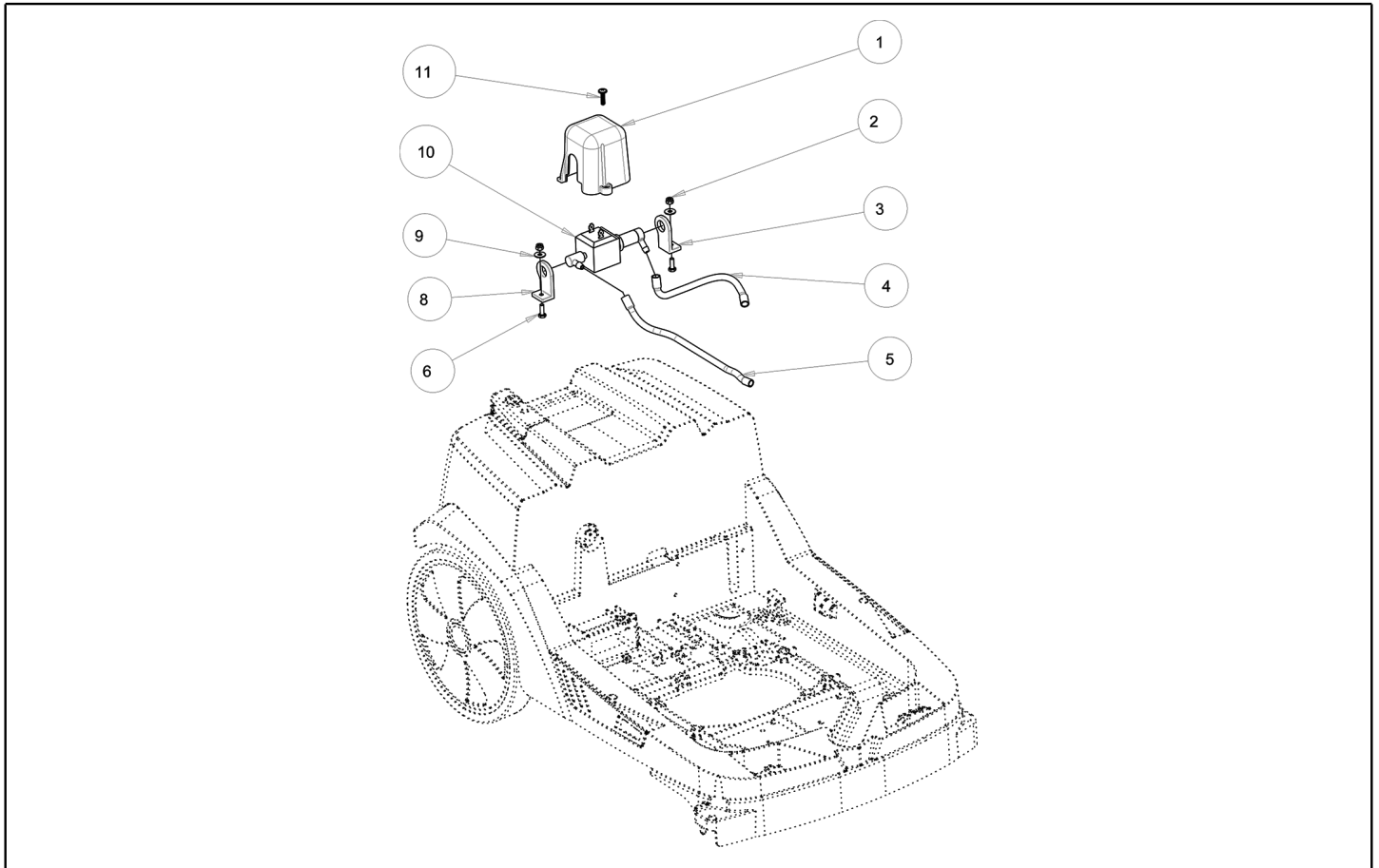
Ref. K	Part n.	Part n. 2	Description	Quantity	Validity		Price
					From	To	
0001	VTVT01491		SCREW STS KN1031-Neu 4x16 - H2	17,00			--
0002	MPVR12253		COVER ELETTRONIC BOARD CT5	1,00			--
0003	MECE00814		BOARD POWER CT5 36V	1,00			--
0004	MPVR12247		SUPPORT VACUUM MOTOR CT5	1,00			--
0005	MPVR12252		GASKET VACUUM MOTOR CT5	1,00			--
0006	MPVR12484		FILTER AIR INLET VACUUM CT5	1,00			--
0007	VTVT48694		SCREW TCB TC 5 X12 UNI 9707 TZ	8,00			--
0008	MPVR12249		FLANGE VACUUM MOTOR CT5	1,00			--
0009	MPVR12248		SUPPORT LOWER VACUUM MOTOR CT5	1,00			--
0010	MOCC00481		VACUUM CT5	1,00			--
0011	ITSO00109		INSULATOR CT5	1,00			--
0012	MPVR12251		FLANGE VACUUM MOTOR CT5	1,00			--
0013	MPVR12290		SUPPORT BUTTON	1,00			--
0014	MECI00681		SWITCH MAIN ON/OFF 16A CT5	1,00			--



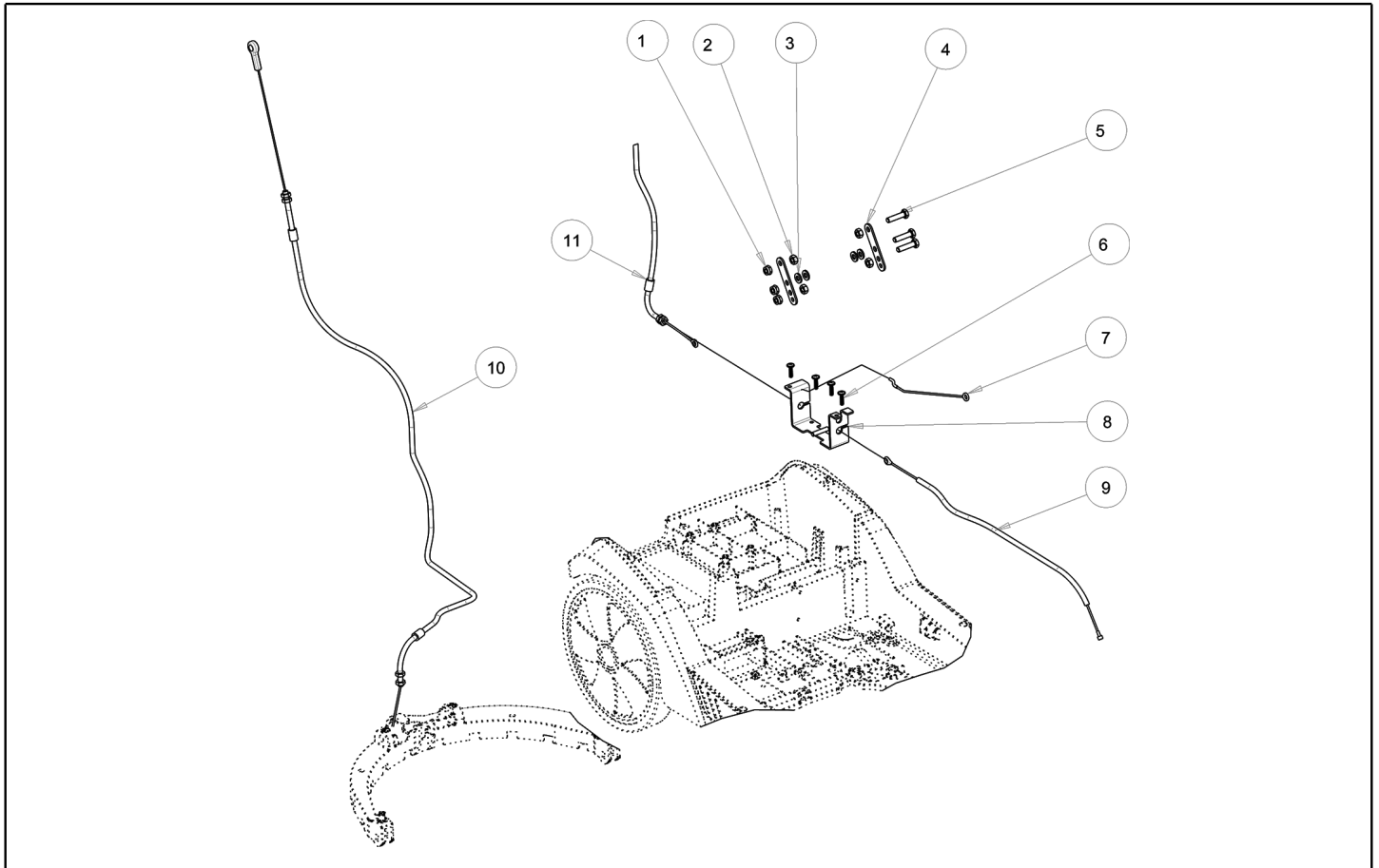
Ref. K	Part n.	Part n. 2	Description	Quantity	Validity		Price
					From	To	
0001	MPVR12282		CAP CT5	1,00			--
0002	MPVR12245		TANK RECOVERY CT5	1,00			--
0003	MPVR12235		COVER RECOVERY TANK CT5	1,00			--
0004	MLML00511		SPRING CT5 COVER	2,00			--
0005	MPVR12238		LEVER LEFT	1,00			--
0006	VTVT01071		SCREW STS KN1031-Neu 4x16 - H2	10,00			--
0007	MPVR12539		GASKET COVER EPDM CT5	2,00			--
0008	MPVR12237		LEVER RIGHT	1,00			--
0009	VTVT01694		SCREW SELF TAPPING 4.8X9.5 SUS	2,00			--
0010	MPVR12236		BASE COVER RECOVERY TANK CT5	1,00			--
0011	MPVR12277		FLOATER CT5	2,00			--
0012	GUGO00622		GASKET REC. TANK LID CT5	1,00			--
0013	MPVR12246		CAP SOLUTION TANK CT5	1,00			--
0014	MPVR12242		TANK SOLUTION CT5	1,00			--
0015	MPVR12350		VALVE D25	1,00			--
0016	GUGO00618		O-RING NBR70 4106 EPDM70	1,00			--
0017	KTRI06045		KIT RECOVERY TANK COVER	1,00			--



Ref. K	Part n.	Part n. 2	Description	Quantity	Validity		Price
					From	To	
0001	VTVT15141		SCREW TE M 6X 25 UNI 5739 INX	4,00			--
0002	LAFN11380		BRACKET .	2,00			--
0003	VTDD01700		NUT M6 INOX+ZIN.	3,00			--
0004	MLML00506		SPRING RH FLOOR WIPER	1,00			--
0005	MPVR12347		KNOB SQUEEGEE CT5	4,00			--
0006	VTRS15144		WASHER D. 6 INX GRW UNI 1751	2,00			--
0007	VTRS13750		WASHER D. 5X14 INX	5,00			--
0008	MPVR12233		BODY FRONT SQUEEGEE CT5	1,00			--
0009	MPVR12234		JOINT FRONT SQUEEGEE CT5	1,00			--
0010	MPVR12308		BLADE SQ.STRAIGHT REAR LATEX	1,00			--
0011	MPVR12307		BLADE SQ.STRAIGHT FRONT LATEX	1,00			--
0012	VTVT15142		SCREW TE M 6x45 INOX	2,00			--
0013	LAFN11381		SPACER .	5,00			--
0014	MPVR12239		WHEEL CT5	6,00			--
0015	MPVR12309		BLADE SQ.PARABOLIC FRONT LATEX	1,00			--
0016	MPVR12232		JOINT REAR SQUEEGEE CT5	1,00			--
0017	MPVR12310		BLADE SQ.PARABOLIC REAR LATEX	1,00			--
0018	VTVT01690		SCREW M5x25	5,00			--
0019	MPVR12231		BODY REAR SQUEEGEE CT5	1,00			--
0020	VTRS00251		WASHER 4-16 INOX A2	1,00			--
0021	VTVT00820		SCREW TC+ M.3,5-10	1,00			--
0022	VTDD15517		NUT M 5 INX	5,00			--
0023	LAFN11385		SPACER .	2,00			--
0024	VTRS00245		WASHER D.6 UNI 6592 INOX	2,00			--
0025	MPVR12230		SUPPORT SQUEEGEE CT5	1,00			--
0026	MLML00507		SPRING LH FLOOR WIPER	1,00			--
0027	VTVT01496		SCREW M6X130	1,00			--



Ref. K	Part n.	Part n. 2	Description	Quantity	Validity		Price
					From	To	
0001	MPVR12279		COVERING PUMP CT5	1,00			--
0002	VTDD00055		NUT M 4 ATB A2	2,00			--
0003	MPVR12498		SUPPORT RH SIDE PUMP CT5	1,00			--
0004	TBBP00730		TUBE 5X8	1,00			--
0005	TBBP00729		TUBE 5X8	1,00			--
0006	VTVT00817		SCREW TE M4x12 UNI 5739 INOX	2,00			--
0008	MPVR12499		SUPPORT LH SIDE PUMP CT5	1,00			--
0009	VTRS00017		WASHER STEEL INOX 4X12	2,00			--
0010	PPEL00140		PUMP 24VDC	1,00			--
0011	VTVT01071		SCREW STS KN1031-Neu 4x16 - H2	1,00			--



Ref. K	Part n.	Part n. 2	Description	Quantity	Validity		Price
					From	To	
0001	VTDD01700		NUT M6 INOX+ZIN.	3,00			--
0002	VTDD15520		NUT M 6 A2 UNI 5588 INX	4,00			--
0003	VTRS00245		WASHER D.6 UNI 6592 INOX	4,00			--
0004	LAFN11389		LEVER .	2,00			--
0005	VTVT15141		SCREW TE M 6X 25 UNI 5739 INX	3,00			--
0006	VTVT01491		SCREW STS KN1031-Neu 4x16 - H2	4,00			--
0007	CMCV00479		CABLE CT5	1,00			--
0008	LAFN11388		BRACKET .	1,00			--
0009	CMCV00478		CABLE ACT. FRONT SQUEEGEE CT5	1,00			--
0010	CMCV00476		CABLE FLOOR WIPER CT5	1,00			--
0011	CMCV00477		CABLE VALVE+FLOOR WIPER CT5	1,00			--