



**IPC**

**Spare parts list**

Ref: MSUT00651

Model: SWEEPER 664 230V NO BAT GR/VE



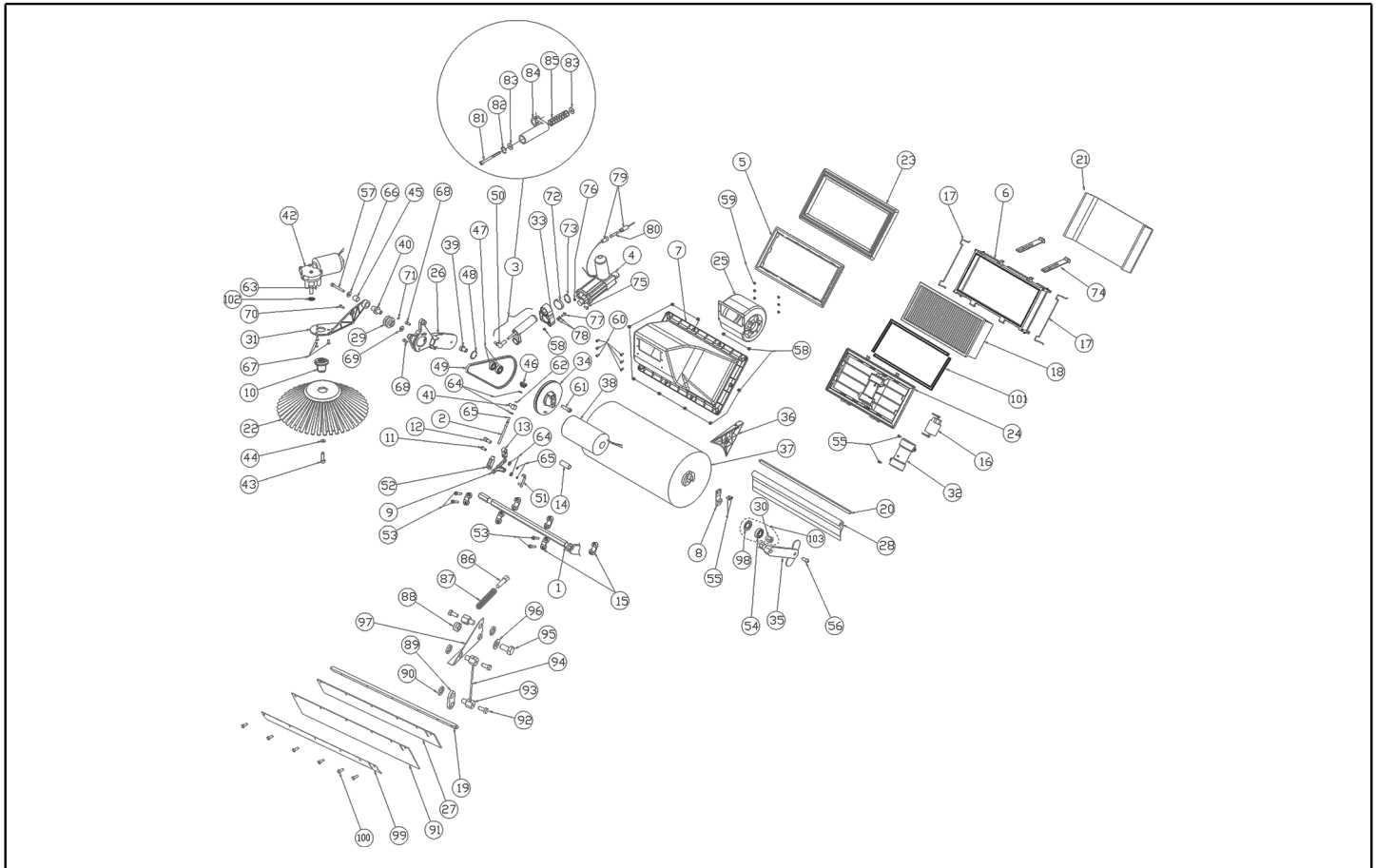
**IMPORT: TAVERNARO AG**

Seuzachstrasse 28

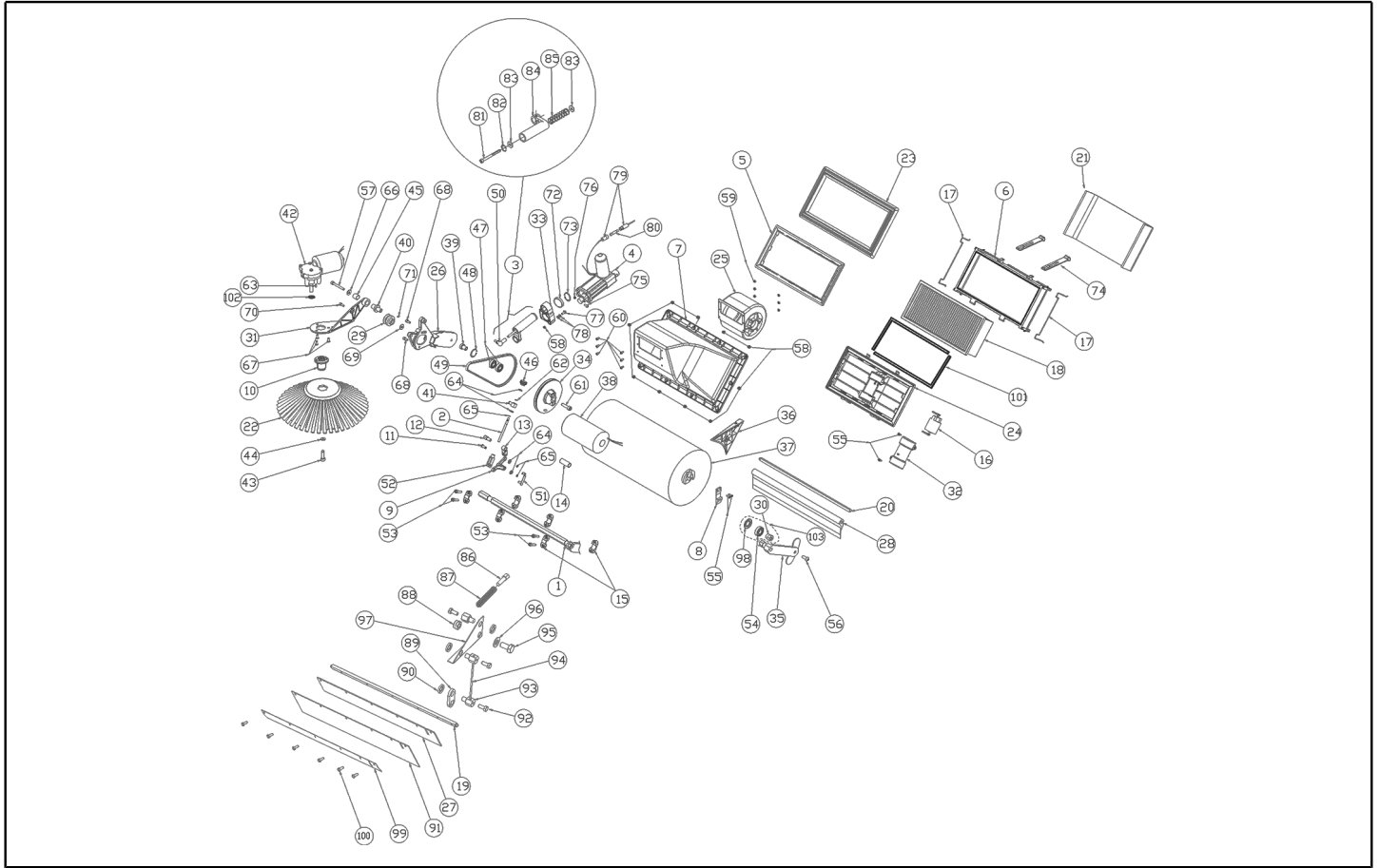
CH-8413 Neftenbach-Winterthur

Telefon: 052 315 19 78, Fax: 052 315 30 70

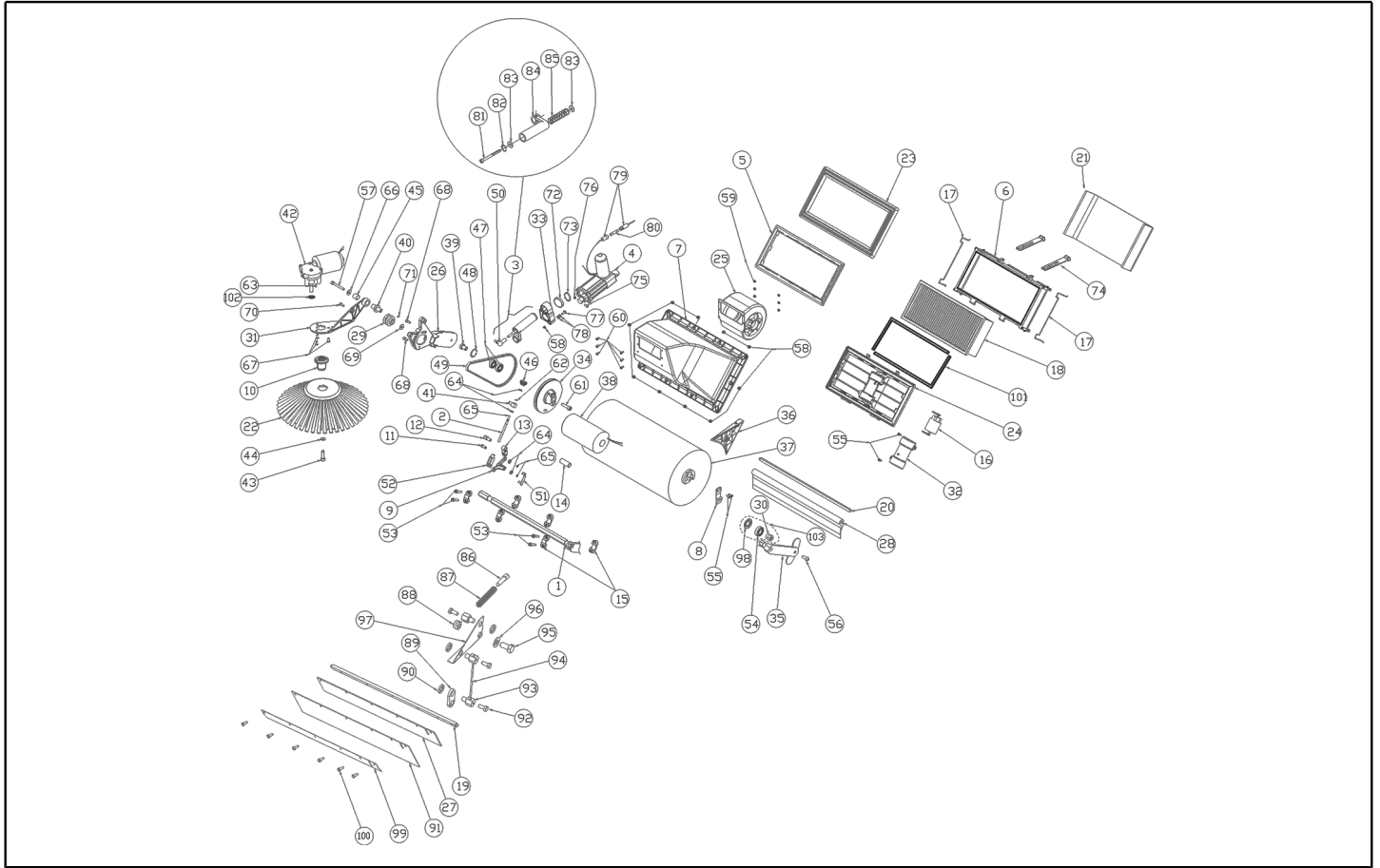
info@taverno.com, www.cleanshop.ch



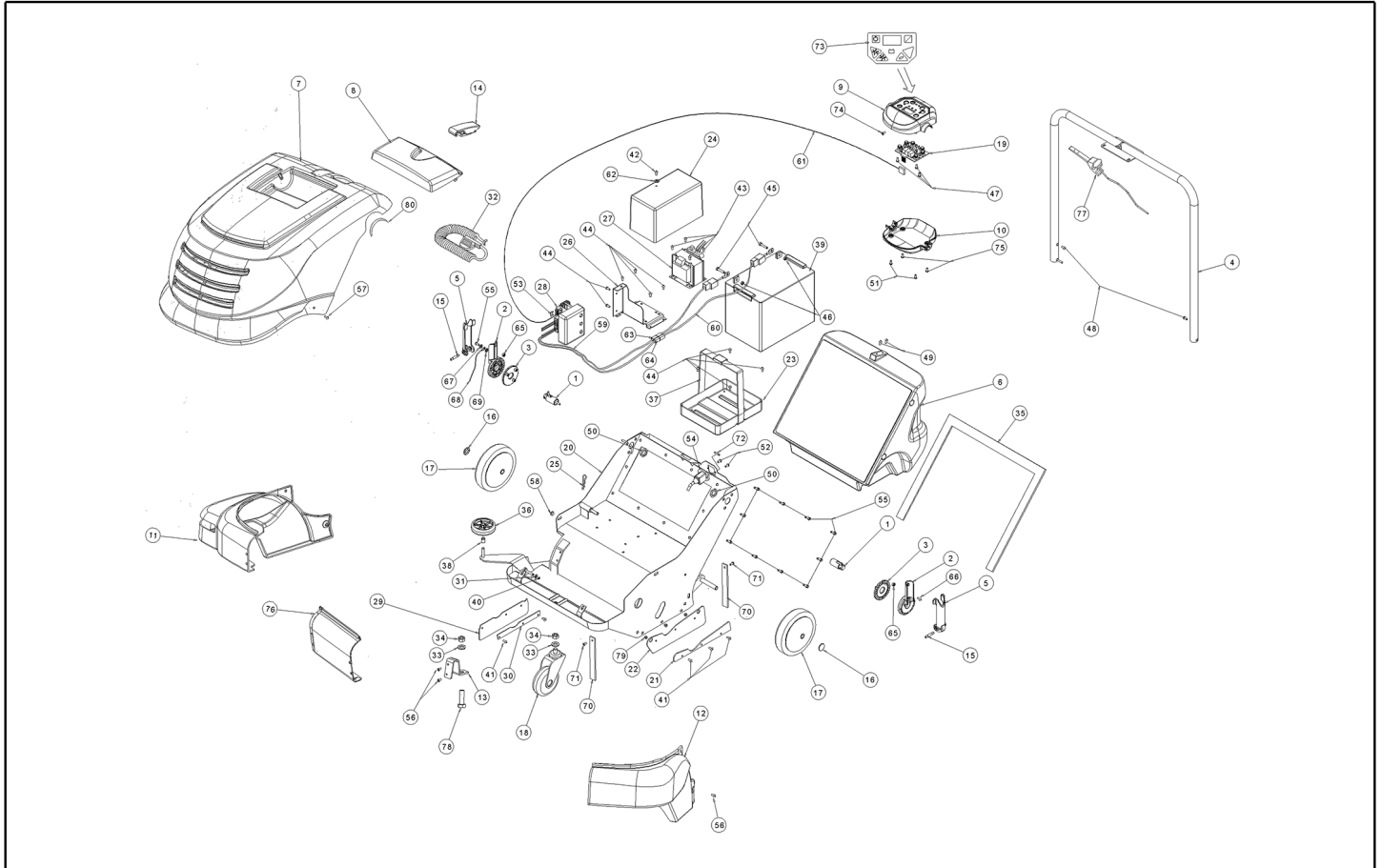
Ref. K	Part n.	Part n. 2	Description	Quantity	Validity		Price
					From	To	
0001	ALTR00076		SHAFT SPAZZOLA CENTRALE	1,00			--
0002	ALTR00042		ROD SIDE BRUSH ADJUST.	1,00			--
0003	PMVR00438		SUPPORT SPRING ACT.COMPL. 464	1,00			--
0004	MOCC00034		ACTUATOR CENTRAL BRUSH 460-464	1,00			--
0005	MPVR00918		CLAMP TELAIO SCUOTIFILTRO	1,00			--
0006	MPVR00919		CLAMP FILTRO	1,00			--
0007	MPVR00920		CRANKCASE VENTILATORE	1,00			--
0008	PMVR00333		HOOK BRUSH 464 COMPLETE	1,00			--
0009	MPVR00934		ARM RINVIO SPAZZOLA LAT.	1,00			--
0010	MPVR01707		HUB SIDE BRUSH 464	1,00			--
0011	MPVR00932		PIN BIELLETTA	1,00			--
0012	LAFN01227		PIN COMANDO BRACCIO SPAZZ.LAT	1,00			--
0013	MPVR00916		CONNECTING ROD RINVIO SPAZZ. LAT.	1,00			--
0014	LAFN01221		SPACER FLAP ANTERIORE	1,00			--
0015	MPVR00807		SUPPORT BRACCIO REGOL.SPAZZ.	3,00			--
0016	MOCC00035		MOTOR FILTER SHAKER 460-464	1,00			--
0017	MLML00040		SPRING PREFILTRO	2,00			--
0018	FTDP00013		FILTER PAPER G460-464	1,00			--
0019	LAFN07182		PIN -	1,00			--
0020	LAFN07437		PIN FLAP 664	1,00			--
0021	FTDP00014		FILTER IN SPONGE FOR FTDP00013	1,00			--
0022	SPPV00303		BRUSH SIDE G460-464	1,00			--
0023	MPVR00931		GASKET PORTAFILTRO	1,00			--
0024	MPVR00933		FRAME SCUOTITORE	1,00			--
0025	MOCC00036		MOTOR SUCTION 460-464	1,00			--
0026	MFVR00025		BRACKET CONN.CENT/SIDE BRUSH	1,00			--
0027	MPVR05454		FLAP -	1,00			--
0028	MPVR05333		FLAP REAR 664	1,00			--
0029	MTPL00038		PULLEY MOTORE SPAZZOLA CENTRALE	1,00			--
0030	LAFN01230		PIN CENTRAL BRUSH LH SIDE	1,00			--
0031	LAFN15263		ARM SIDE BRUSH	1,00			--
0032	MPVR00925		COVER VIBRO SCUOTITORE	1,00			--
0033	MPVR00943		GUIDE MOLLA	1,00			--
0034	MTPL00039		PULLEY DRIVE 464 MAIN BRUSH	1,00			--
0035	MFVR00026		ARM SPAZZOLA CENTR. LAT. SX	1,00			--
0036	MPVR00940		CONVEYOR P203	1,00			--
0037	PMVR01449		BRUSH CENTRAL WITH LOCK LEVER	1,00			--
0038	MOCC00033		MOTOR CENTRAL BRUSH 460-464	1,00			--
0038	MEVR01660		CARBON MOTORE "MOCC00033"	2,00			--
0039	LAFN01229		PIN PULEGGIA SPAZZOLA CENTR.	1,00			--
0040	LAFN01228		PIN ROTAZIONE BRACCIO SPA.LAT	1,00			--
0041	LAFN01220		BLOCK SNODO ASTA REGOLAZIONE	1,00			--
0042	MOCC00037		MOTOR SIDE BRUSH 460-464	1,00			--
0042	MEVR86071		CARBON X MOT.COD.1340019/029	2,00			--



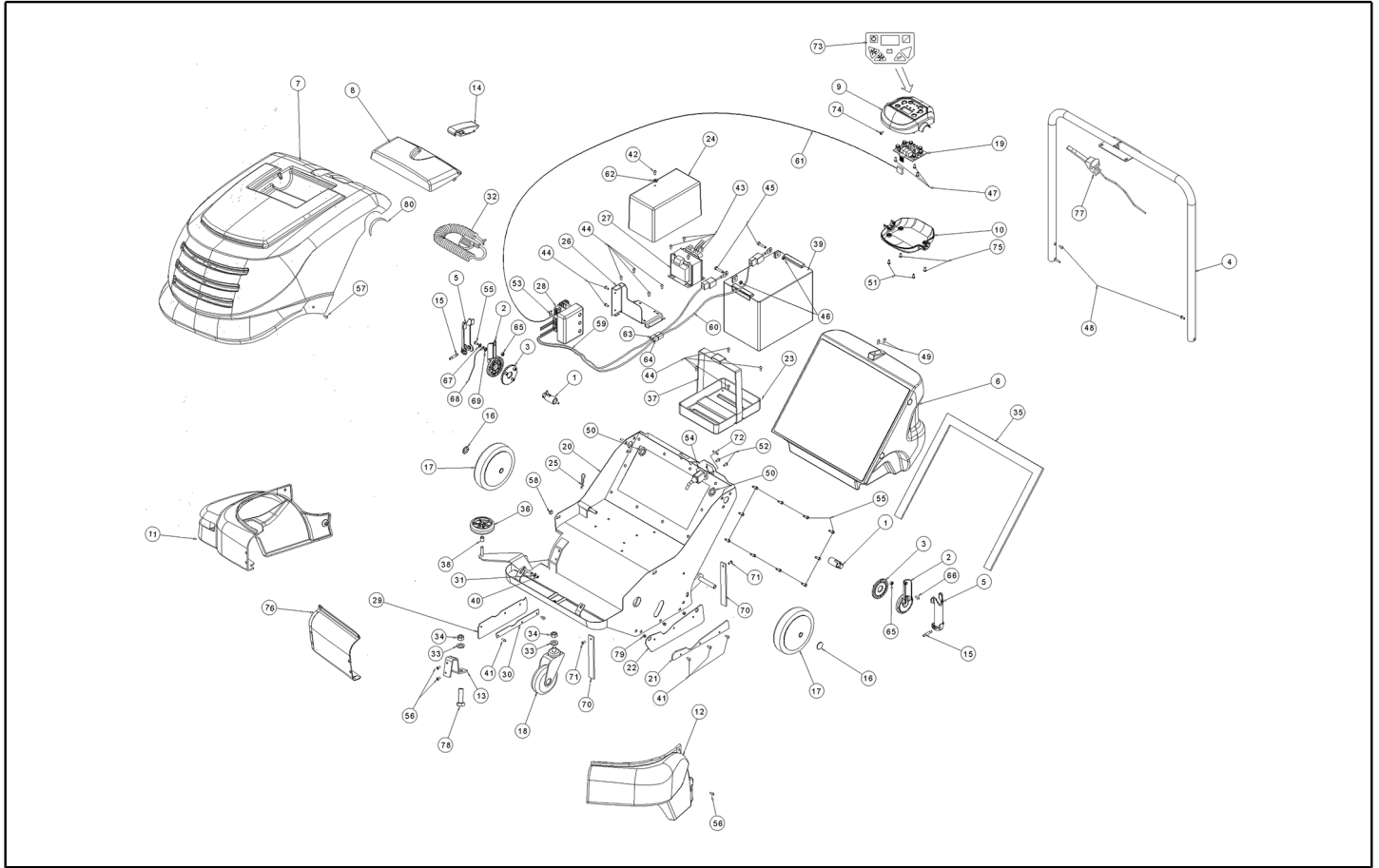
Ref. K	Part n.	Part n. 2	Description	Quantity	Validity		Price
					From	To	
0042	MTIG00002		GEAR MOTORIDUT.D.63 BRACC.EL.	1,00			--
0043	VTVT29884		SCREW TE UNI 5739 4X16 ZB	1,00			--
0044	VTRS05904		WASHER UNI 6592 4X16 ZB	1,00			--
0045	LAFN06774		BUSHING GLYCODUR GLY.PG 14-16-15F	1,00			--
0046	VTVR00303		HANDWHEEL V1/30/BFC-M5	1,00			--
0047	CUVR46942		BALL BEARING 6001-2RS1 -SKF	2,00			--
0048	VTAE00010		SEEGER INTERNO DIN 472 D.28	1,00			--
0049	MTCG00019		BELT POLY 610 J 3	1,00			--
0050	VTVR45280		TOGGLE-JOINT M 6	1,00			--
0051	CMCV00009		CLIP UNI 1676	1,00			--
0052	CMCV00006		FORK UNI 1676 M6X24	1,00			--
0053	VTVT06237		SCREW TCCE UNI 5931 6X20 ZB	4,00			--
0054	CUVR00164		BEARING 6002RS -SKF-	1,00			--
0055	VTVT00099		SCREW AUTOF.TC UNI 6954 3,9X13	2,00			--
0056	VTVT87271		SCREW TBCE ISO 7380 8X16 ZB	1,00			--
0057	VTVT00063		SCREW TCCE UNI 5931 6X50 ZB	1,00			--
0058	VTDD00017		NUT AUTOBLOK DIN 985 M5	12,00		12/11/2023	--
0058	VTDD08171		NUT M 5 TEF	12,00	13/11/2023		--
0059	VTDD00009		NUT AUTOBLOK DIN 985 M4 BASSO	6,00			--
0060	VTVT00003		SCREW TE M 4X 12 ZC. UNI 5739	6,00			--
0061	VTVT01354		SCREW TCCE UNI 5931 8X35 ZB	1,00			--
0062	GUGO00288		GASKET OR	1,00			--
0063	VTVR75730		KEY UNI 6606 3X3,7	1,00			--
0064	VTRS00011		WASHER UNI 6592 6X12 ZB	4,00			--
0065	VTAE48552		CIRCLIP ESTERNO DIN 471 D.6	3,00			--
0066	VTRS63242		WASHER UNI 6593 6X24X2 ZB	1,00			--
0067	VTVT62920		SCREW TE FR 6X16 ZB ZIGRINATE	3,00			--
0068	VTVT00005		SCREW TE M 5X 12 F/ROND.ZIGR	1,00			--
0069	LAFN01186		SPACER STERZO 0,3	1,00			--
0070	VTVT00005		SCREW TE M 5X 12 F/ROND.ZIGR	1,00			--
0071	VTVT00989		GRUB SCREW 4X8 coppa zigrinata	1,00			--
0072	LAFN06775		SPACER -	1,00			--
0073	VTAE09655		SEEGER ESTERNO DIN 471 D.25	1,00			--
0074	MPVR04648		TIE ROD FILTER INST. 464	2,00			--
0075	VTVT00245		SCREW TE M6X30 UNI 5739	1,00			--
0076	VTDD00010		NUT AUTOBLOK DIN 985 M6 BASSO	1,00			--
0077	VTVT12041			2,00			--
0078	VTRS00010		WASHER UNI 6592 5X10 ZB	2,00			--
0079	MECB00925		CABLE COLLEGAMENTO ATTUATORE	1,00			--
0080	MEVR00150		FUSE 2.5 A 250V 5X20	1,00			--
0081	VTVT37013		SCREW TE M 6X100 UNI 5737	1,00			--
0082	VTAE00009		SEEGER INTERNO DIN 472 D.20	1,00			--
0083	LAFN00124		BUSHING BATTUTA CILINDRO	2,00			--
0084	LAFN01238		GUIDE SPRING CASE	1,00			--



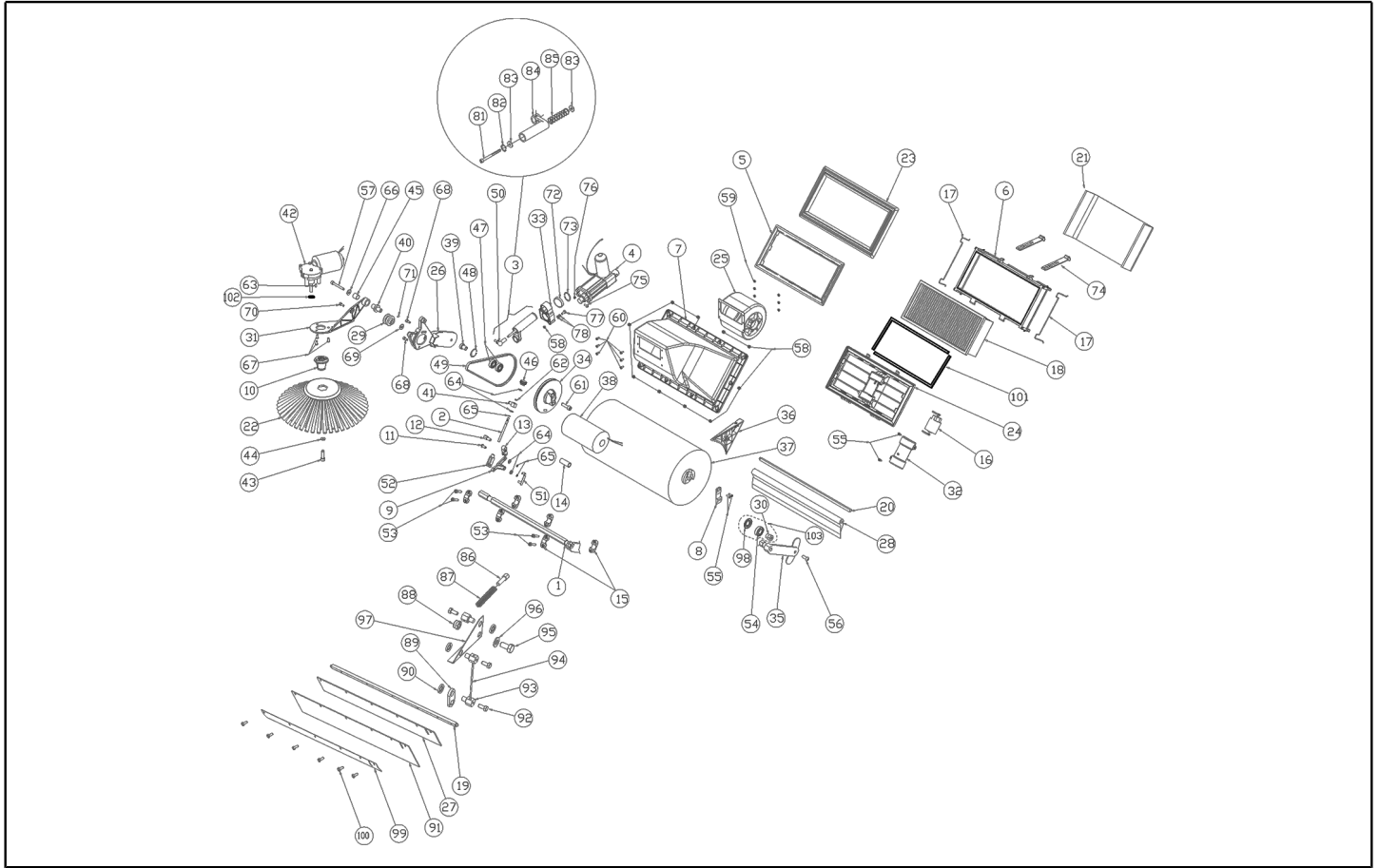
Ref. K	Part n.	Part n. 2	Description	Quantity	Validity		Price
					From	To	
0085	MLML45281		SPRING FOR SHOCK ABSORBER	1,00			--
0086	CMCV02396		REGISTER CH. 8X 6MAX30	1,00			--
0087	MLML00033		SPRING ALZAFLAP SILVER ZB	1,00			--
0088	VTDD00492		NUT AUTOBLOK DIN 982 M8 ALTO	1,00			--
0089	LAFN07438		BRACKET ALZAFLAP 664	1,00			--
0090	VTRS36062		WASHER D. 8 CRN	3,00			--
0091	MPVR05453		FLAP FRONT RUBBER 664	1,00			--
0092	VTVT08011		SCREW TE M 5X 12 DIN7500 FRM.D	3,00			--
0093	CMCV34027		BARREL CH.14X17 M5	3,00			--
0094	LAFN06709		ROD 664	1,00			--
0095	VTVT00446		SCREW TE UNI 5739 8X20 ACC.8.8	1,00			--
0096	VTRS00504		WASHER D. 8 ZC. UNI 6592	2,00			--
0097	LAFN34955		LEVER FLAP L.8000 2.V	1,00			--
0098	LAFN07372		TOP PROTECTION BEARING 464	1,00			--
0099	LAFN07183		SHEET METAL PA. -	1,00			--
0100	VTVT00005		SCREW TE M 5X 12 F/ROND.ZIGR	6,00			--
0101	GUGO00414		GASKET TELAIO SCUOTITORE	2,00			--
0102	VTAE13511		CIRCLIP D. 10 UNI 7435	1,00			--
0103	PMVR00436		SUPPORT CENT.BRUSH 464 COMPL.	1,00			--



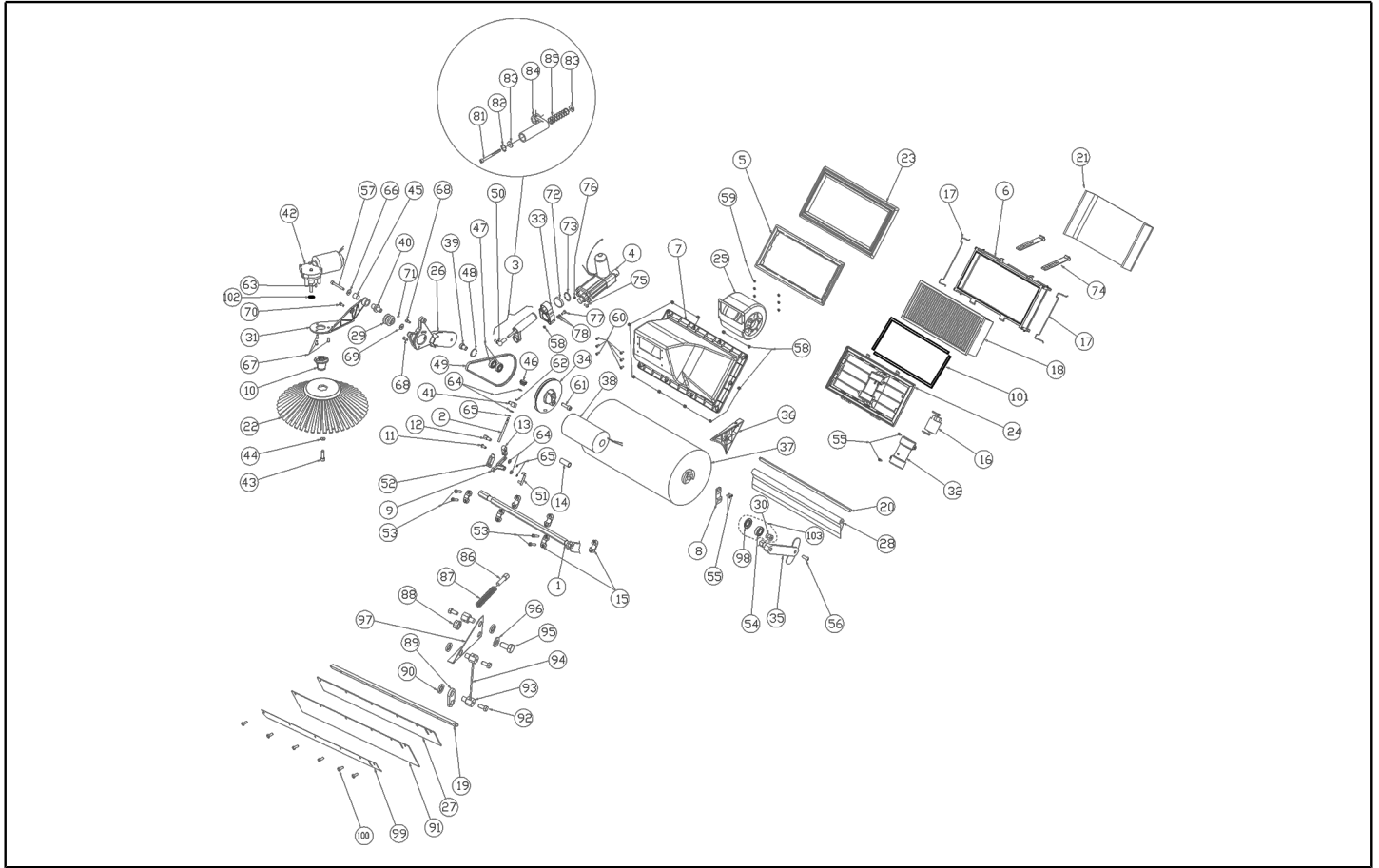
Ref. K	Part n.	Part n. 2	Description	Quantity	Validity		Price
					From	To	
0001	LAFN01223		PIN ROTAZIONE MANIGLIONE	2,00			--
0002	MPVR00914		HOOK HANDLE SIDE	2,00			--
0003	MPVR00915		HOOK CHASSIS SIDE	2,00			--
0004	LAFN06714		HANDLE 664	1,00			--
0005	MPVR00917		CLAMP HANDLE LOCKING	2,00			--
0006	MPVR05319		DRAWER 664	1,00			--
0007	MPVR05890		HOOD 664	1,00			--
0008	MPVR05889		COVER -	1,00			--
0009	MPVR00926		INSTR.PANEL SUPERIORE	1,00			--
0010	MPVR00927		INSTR.PANEL INFERIORE	1,00			--
0011	MPVR05157		COVER 464 RH SIDE GRAY	1,00			--
0012	MPVR05158		COVER 464 LH SIDE GRAY	1,00			--
0013	LAFN06806		BRACKET FISSA FIANCATA	2,00			--
0014	MPVR00902		HANDLE BLOCCA CASSETTO	1,00			--
0015	LAFN01237		PIN BLOCCAGGIO MANIGLIONE	2,00			--
0016	VTVR00305		WASHER DI FERMO DIAMETRO 12	2,00			--
0017	RTRT00039		WHEEL REAR 464-664	2,00			--
0018	RTRT00040		WHEEL FRONT 464-664	1,00			--
0019	MECE00020		BOARD DISPLAY 460-464	1,00			--
0020	LAFN07435		FRAME 664	1,00			--
0021	LAFN01235		PLATE FISSA FLAP SX	1,00			--
0022	MPVR00938		FLAP LH SIDE 464	1,00			--
0023	MPVR04649		CONTAINER BATTERIA 60A	1,00			--
0024	MPVR05105		COVER SCHEDA DI POTENZA	1,00			--
0025	VTVR47052		SPLIT PIN AR DIAM.FILO 2	1,00			--
0026	LAFN01236		SUPPORT SCHEDA POTENZA	1,00			--
0027	MECE00022		TRANSFORMER CHARGER 464-664 230V	1,00			--
0028	MECE00025		PCB CONTROL BOARD	1,00			--
0029	MPVR00937		FLAP RH SIDE 464	1,00			--
0030	LAFN01234		PLATE FISSA FLAP DX	1,00			--
0031	VTRS00011		WASHER UNI 6592 6X12 ZB	1,00			--
0032	MECB00922		EXTENSION 3x0,75 SHUKO PLUG	1,00			--
0033	VTRS86510		WASHER UNI 6592 12X24 ZB	1,00			--
0034	VTDD00012		NUT AUTOBLOK DIN 985 M12 ZB	1,00			--
0035	MPVR05353		KIT MOUSSE 664	1,00			--
0036	RTRT00011		WHEEL D.150 GRI/NR PARAC.SILVER	1,00			--
0037	MTCG00011		BELT ELASTICA PER BATTERIA	1,00			--
0038	LAFN75911		SPACER D.12 H.7	1,00			--
0039	BAAC00019		BATTERY 12V 42AH/20H AGM	1,00			--
0040	VTAE48552		CIRCLIP ESTERNO DIN 471 D.6	1,00			--
0041	VTVT00106		SCREW AUTOFIL. TC 3,5X14,5	5,00		17/07/2008	--
0041	VTVT00800		SCREW TC 4X12 ZN	5,00		18/07/2008	--
0042	VTVT00003		SCREW TE M 4X 12 ZC. UNI 5739	1,00			--
0043	VTVT72043		SCREW TCTC UNI 7687 4X16 ZB	4,00			--



Ref. K	Part n.	Part n. 2	Description	Quantity	Validity		Price
					From	To	
0044	VTVT00003		SCREW TE M 4X 12 ZC. UNI 5739	10,00			--
0045	VTVT00104		SCREW TE UNI 5739 6X18 ZB	2,00			--
0046	VTDD00482		NUT M 6 ZIN UNI 5588	2,00			--
0047	VTVT00098		SCREW AUTOF.TC UNI 6954 3,9X9,5	3,00			--
0048	VTVT00993		SCREW TC UNI 8112 TRILOBATA	2,00			--
0049	VTVT00075		SCREW TSCE UNI 5933 5X20 ZB	2,00			--
0050	LAFN06270		RING NUT BLOCCAGGIO MARGHERITA	2,00			--
0051	VTVT14062		SCREW TE UNI 5739 5X16 ZB A.8.8	2,00			--
0052	VTVT01353		SCREW TSCE UNI 5933 3X8 ZB	2,00		24/05/2016	--
0052	VTVT00329			2,00	25/05/2016		--
0053	MEVR00039		FUSE LAMELLARE 20A	1,00			--
0054	MEVR01930		PLUG CON FUSIBILE	1,00			--
0055	VTVT83145		SCREW TSCE UNI 5933 5X15 ZB	11,00			--
0056	VTVT75726		SCREW TBCE ISO 7380 6X16 ZB	4,00			--
0057	VTVT09916		SCREW TBCE ISO 7380 6X20 ZB	2,00			--
0058	VTDD00501		NUT INGABBIATO M6	4,00			--
0059	MECE00026		WIRING SILVER 460 E	1,00			--
0060	MECB00924		WIRING BATTERY CONNECTION W/CAPS	1,00			--
0061	MECE00023		CABLE PCB DISPLAY	1,00			--
0062	VTRS15959		WASHER UNI 6593 4X12X1,5 ZB	1,00			--
0063	MEVR00082		CONNECTOR PP75 CORPO NERO	1,00			--
0064	MEVR00083		CONNECTOR PP75 CORPO ROSSO	1,00			--
0065	VTDD00017		NUT AUTOBLOK DIN 985 M5	2,00		12/11/2023	--
0065	VTDD08171		NUT M 5 TEF	2,00	13/11/2023		--
0066	VTVT05726		SCREW M 5X 12 TSPEI ZC. UNI5933	1,00			--
0067	VTRS00010		WASHER UNI 6592 5X10 ZB	1,00			--
0068	MECB00971		WIRING FUGGISCOSSA	1,00			--
0069	VTRS03924		WASHER D. 5 DIN 6798E	1,00			--
0070	MPVR04693		RUBBER CONDUCTIVE	2,00			--
0071	VTVT62920		SCREW TE FR 6X16 ZB ZIGRINATE	2,00			--
0072	MEVR00150		FUSE 2.5 A 250V 5X20	1,00			--
0073	ETET00146		LABEL DASHBOARD 464-664	1,00			--
0074	VTVT00724		SCREW	1,00			--
0075	VTVT00892		SCREW	2,00			--
0076	MPVR05321		SIDE PANEL 664	1,00			--
0077	MPVR05345		HANDLE 664	1,00			--
0078	VTVT00375		SCREW TE M12X35	2,00			--
0079	VTVR47015		INSERT PLASTICA (MEDREVITE)	5,00			--
0080	MPVR04968		GASKET 520	0,11			--

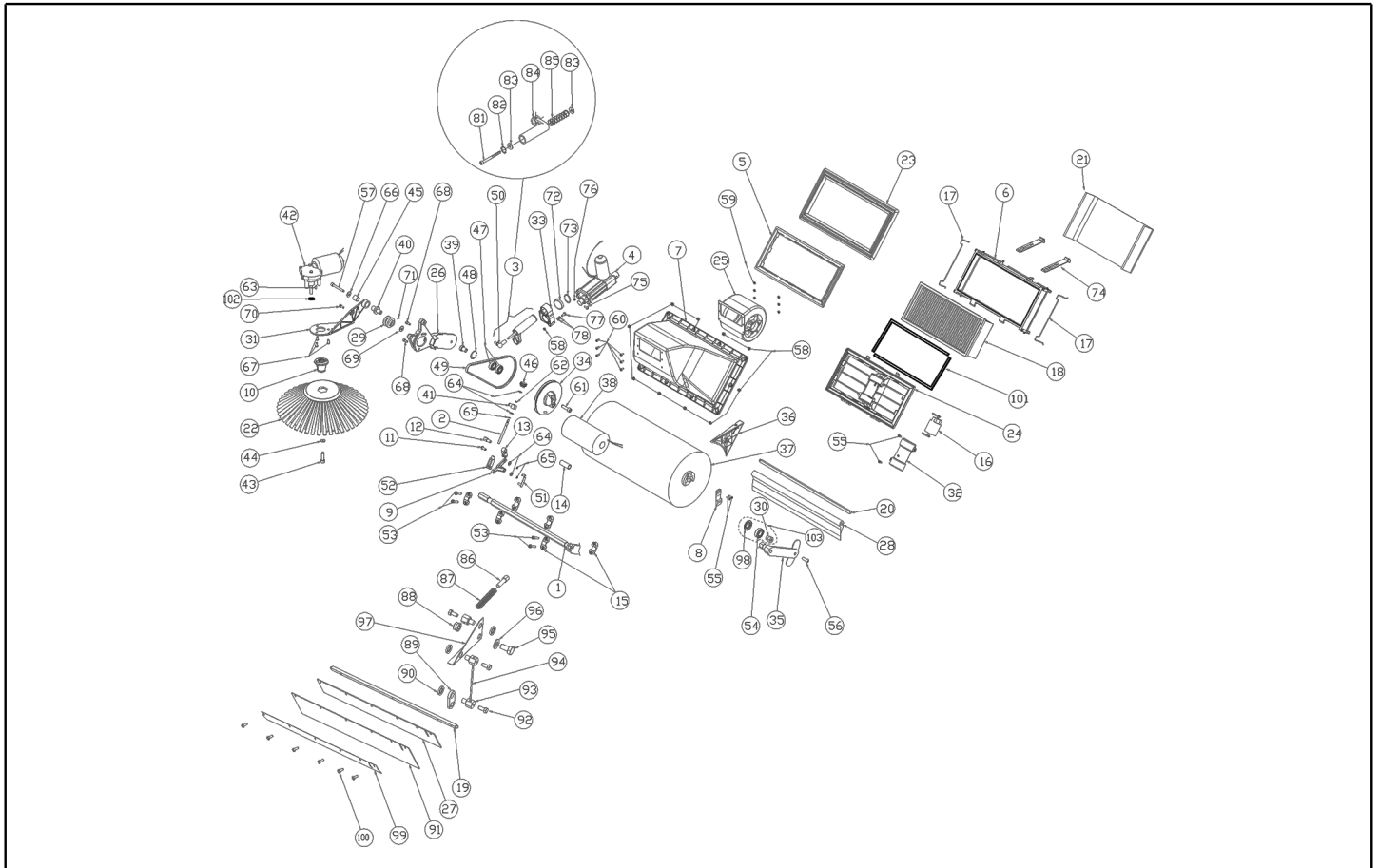


Ref. K	Part n.	Part n. 2	Description	Quantity	Validity		Price
					From	To	
0001	ALTR00076		SHAFT SPAZZOLA CENTRALE	1,00			--
0002	ALTR00042		ROD SIDE BRUSH ADJUST.	1,00			--
0003	PMVR00438		SUPPORT SPRING ACT.COMPL. 464	1,00			--
0004	MOCC00034		ACTUATOR CENTRAL BRUSH 460-464	1,00			--
0005	MPVR00918		CLAMP TELAIO SCUOTIFILTRO	1,00			--
0006	MPVR00919		CLAMP FILTRO	1,00			--
0007	MPVR00920		CRANKCASE VENTILATORE	1,00			--
0008	PMVR00333		HOOK BRUSH 464 COMPLETE	1,00			--
0009	MPVR00934		ARM RINVIO SPAZZOLA LAT.	1,00			--
0010	MPVR01707		HUB SIDE BRUSH 464	1,00			--
0011	MPVR00932		PIN BIELLETTA	1,00			--
0012	LAFN01227		PIN COMANDO BRACCIO SPAZZ.LAT	1,00			--
0013	MPVR00916		CONNECTING ROD RINVIO SPAZZ. LAT.	1,00			--
0014	LAFN01221		SPACER FLAP ANTERIORE	1,00			--
0015	MPVR00807		SUPPORT BRACCIO REGOL.SPAZZ.	3,00			--
0016	MOCC00035		MOTOR FILTER SHAKER 460-464	1,00			--
0017	MLML00040		SPRING PREFILTRO	2,00			--
0018	FTDP00013		FILTER PAPER G460-464	1,00			--
0019	LAFN07182		PIN -	1,00			--
0020	LAFN07437		PIN FLAP 664	1,00			--
0021	FTDP00014		FILTER IN SPONGE FOR FTDP00013	1,00			--
0022	SPPV00303		BRUSH SIDE G460-464	1,00			--
0023	MPVR00931		GASKET PORTAFILTRO	1,00			--
0024	MPVR00933		FRAME SCUOTITORE	1,00			--
0025	MOCC00036		MOTOR SUCTION 460-464	1,00			--
0026	MFVR00025		BRACKET CONN.CENT/SIDE BRUSH	1,00			--
0027	MPVR05454		FLAP -	1,00			--
0028	MPVR05333		FLAP REAR 664	1,00			--
0029	MTPL00038		PULLEY MOTORE SPAZZOLA CENTRALE	1,00			--
0030	LAFN01230		PIN CENTRAL BRUSH LH SIDE	1,00			--
0031	LAFN15263		ARM SIDE BRUSH	1,00			--
0032	MPVR00925		COVER VIBRO SCUOTITORE	1,00			--
0033	MPVR00943		GUIDE MOLLA	1,00			--
0034	MTPL00039		PULLEY DRIVE 464 MAIN BRUSH	1,00			--
0035	MFVR00026		ARM SPAZZOLA CENTR. LAT. SX	1,00			--
0036	MPVR00940		CONVEYOR P203	1,00			--
0037	PMVR01449		BRUSH CENTRAL WITH LOCK LEVER	1,00			--
0038	MEVR01660		CARBON MOTORE "MOCC00033"	2,00			--
0038	MOCC00033		MOTOR CENTRAL BRUSH 460-464	1,00			--
0039	LAFN01229		PIN PULEGGIA SPAZZOLA CENTR.	1,00			--
0040	LAFN01228		PIN ROTAZIONE BRACCIO SPA.LAT	1,00			--
0041	LAFN01220		BLOCK SNODO ASTA REGOLAZIONE	1,00			--
0042	MEVR86071		CARBON X MOT.COD.1340019/029	2,00			--
0042	MOCC00037		MOTOR SIDE BRUSH 460-464	1,00			--

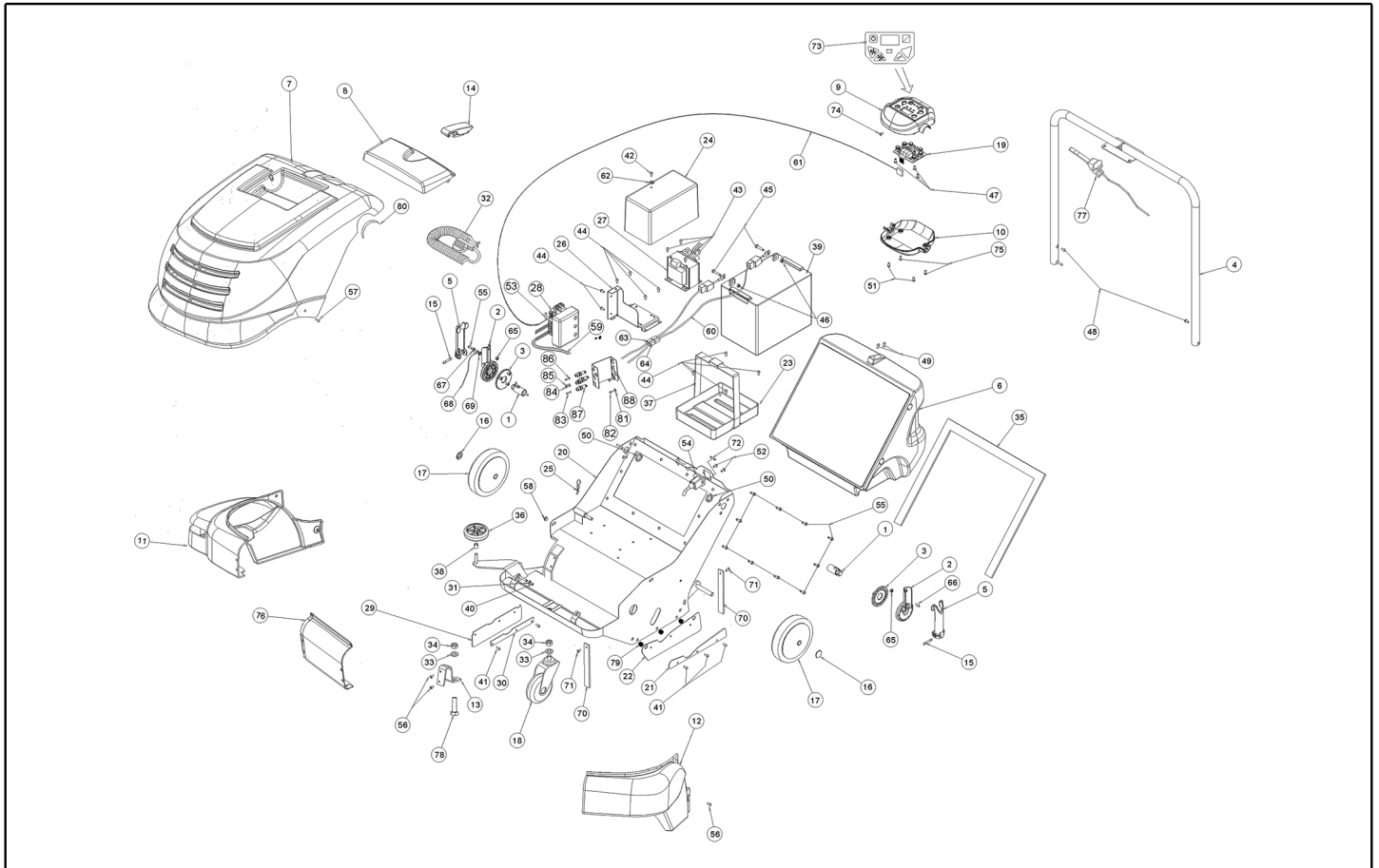


Ref. K	Part n.	Part n. 2	Description	Quantity	Validity		Price
					From	To	
0042	MTIG00002		GEAR MOTORIDUT.D.63 BRACC.EL.	1,00			--
0043	VTVT29884		SCREW TE UNI 5739 4X16 ZB	1,00			--
0044	VTRS05904		WASHER UNI 6592 4X16 ZB	1,00			--
0045	LAFN06774		BUSHING GLYCODUR GLY.PG 14-16-15F	1,00			--
0046	VTVR00303		HANDWHEEL V1/30/BFC-M5	1,00			--
0047	CUVR46942		BALL BEARING 6001-2RS1 -SKF	2,00			--
0048	VTAE00010		SEEGER INTERNO DIN 472 D.28	1,00			--
0049	MTCG00019		BELT POLY 610 J 3	1,00			--
0050	VTVR45280		TOGGLE-JOINT M 6	1,00			--
0051	CMCV00009		CLIP UNI 1676	1,00			--
0052	CMCV00006		FORK UNI 1676 M6X24	1,00			--
0053	VTVT06237		SCREW TCCE UNI 5931 6X20 ZB	4,00			--
0054	CUVR00164		BEARING 6002RS -SKF-	1,00			--
0055	VTVT00099		SCREW AUTOF.TC UNI 6954 3,9X13	2,00			--
0056	VTVT87271		SCREW TBCE ISO 7380 8X16 ZB	1,00			--
0057	VTVT00063		SCREW TCCE UNI 5931 6X50 ZB	1,00			--
0058	VTDD08171		NUT M 5 TEF	12,00			--
0059	VTDD00039		NUT M 4 AB UNI7474 ZC 10/8G	6,00			--
0060	VTVT00003		SCREW TE M 4X 12 ZC. UNI 5739	6,00			--
0061	VTVT01354		SCREW TCCE UNI 5931 8X35 ZB	1,00			--
0062	GUGO00288		GASKET OR	1,00			--
0063	VTVR75730		KEY UNI 6606 3X3,7	1,00			--
0064	VTRS00011		WASHER UNI 6592 6X12 ZB	4,00			--
0065	VTAE48552		CIRCLIP ESTERNO DIN 471 D.6	3,00			--
0066	VTRS63242		WASHER UNI 6593 6X24X2 ZB	1,00			--
0067	VTVT62920		SCREW TE FR 6X16 ZB ZIGRINATE	3,00			--
0068	VTVT00005		SCREW TE M 5X 12 F/ROND.ZIGR	1,00			--
0069	LAFN01186		SPACER STERZO 0,3	1,00			--
0070	VTVT00005		SCREW TE M 5X 12 F/ROND.ZIGR	1,00			--
0071	VTVT00989		GRUB SCREW 4X8 coppa zigrinata	1,00			--
0072	LAFN06775		SPACER -	1,00			--
0073	VTAE09655		SEEGER ESTERNO DIN 471 D.25	1,00			--
0074	MPVR04648		TIE ROD FILTER INST. 464	2,00			--
0075	VTVT00245		SCREW TE M6X30 UNI 5739	1,00			--
0076	VTDD00010		NUT AUTOBLOK DIN 985 M6 BASSO	1,00			--
0077	VTVT12041			2,00			--
0078	VTRS00502		WASHER D. 5 0.466 UNI 6592	2,00			--
0081	VTVT37013		SCREW TE M 6X100 UNI 5737	1,00			--
0082	VTAE00009		SEEGER INTERNO DIN 472 D.20	1,00			--
0083	LAFN00124		BUSHING BATTUTA CILINDRO	2,00			--
0084	LAFN01238		GUIDE SPRING CASE	1,00			--
0085	MLML45281		SPRING FOR SHOCK ABSORBER	1,00			--
0086	CMCV02396		REGISTER CH. 8X 6MAX30	1,00			--
0087	MLML00033		SPRING ALZAFLAP SILVER ZB	1,00			--

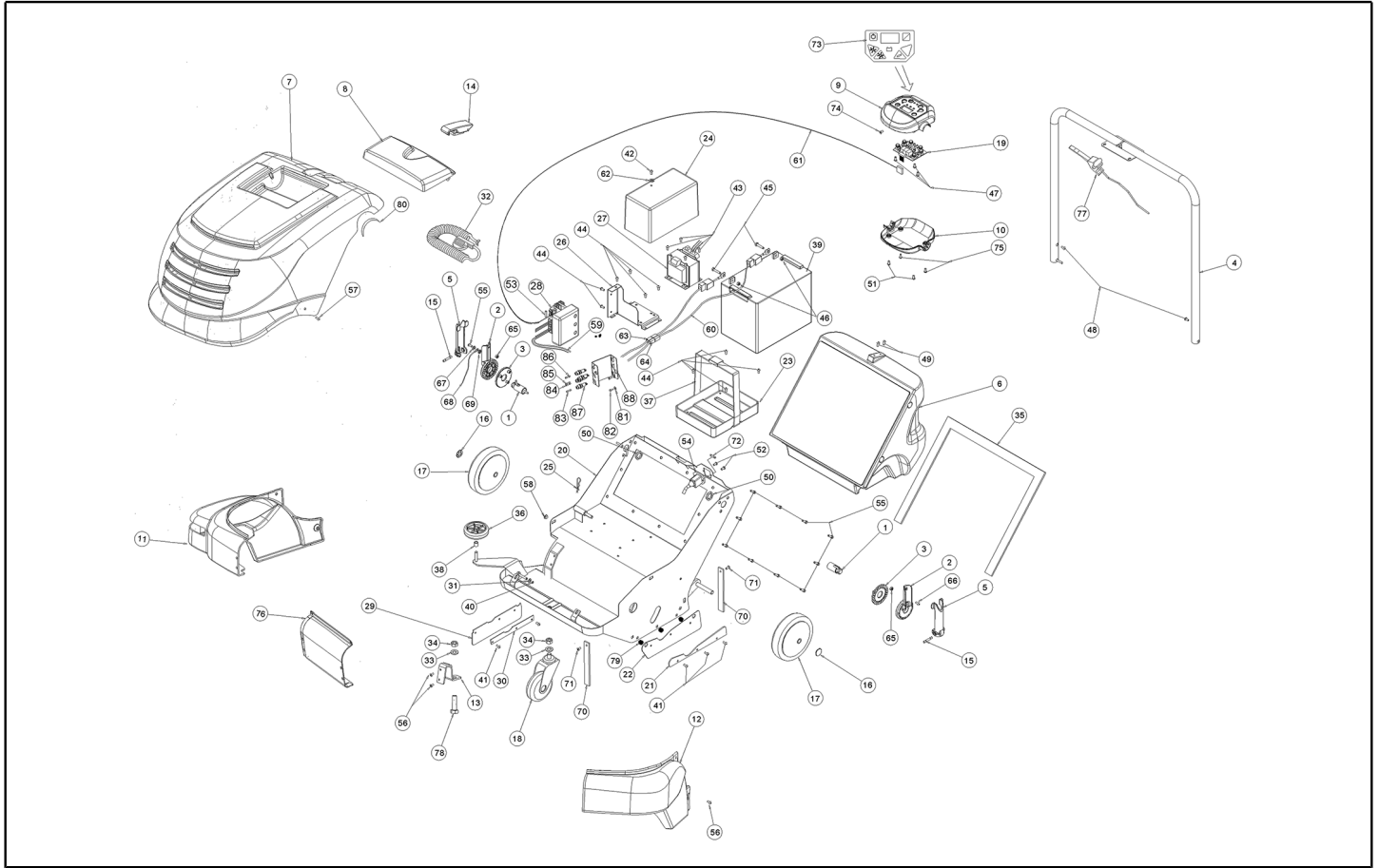




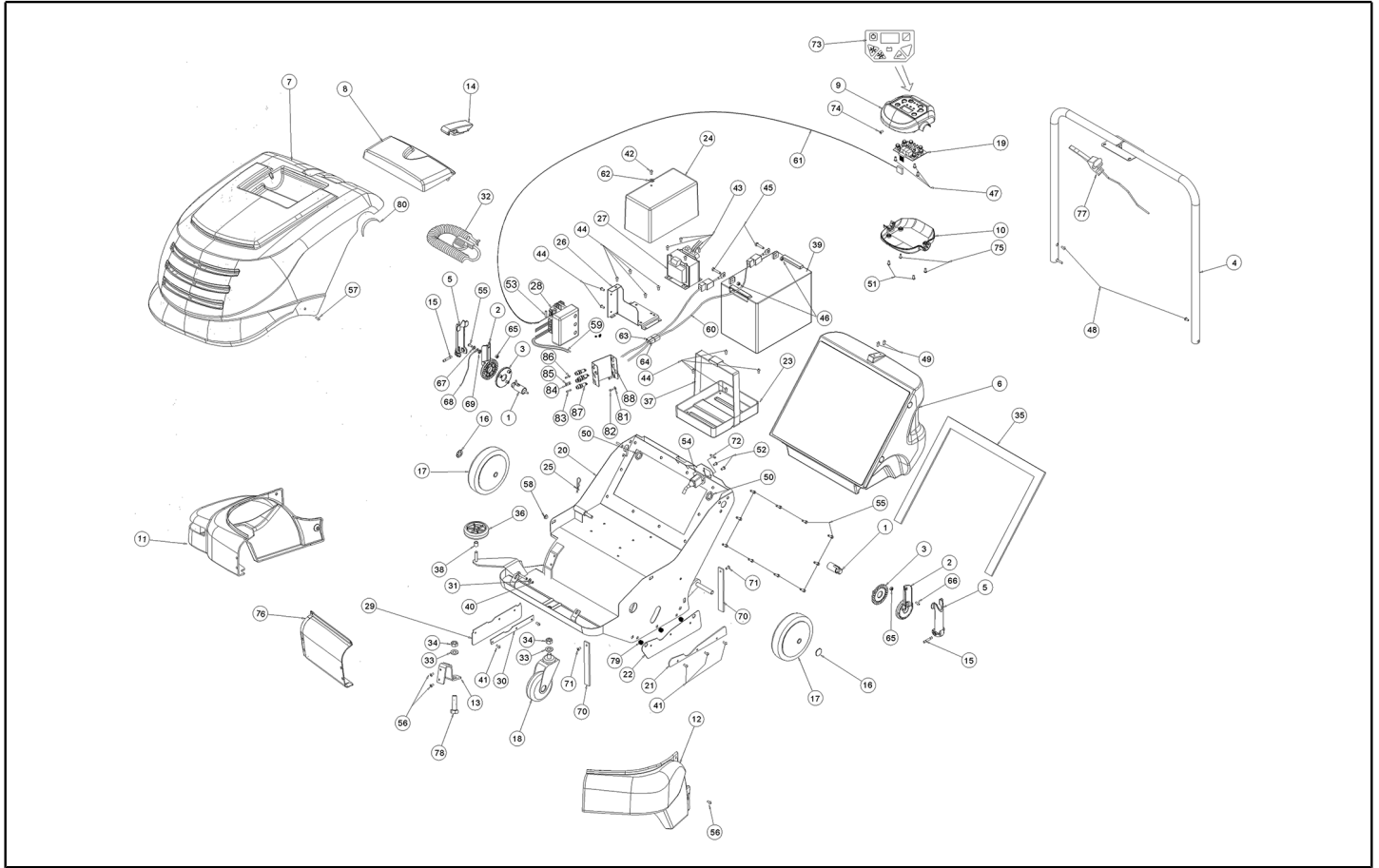
Ref. K	Part n.	Part n. 2	Description	Quantity	Validity		Price
					From	To	
0088	VTDD00492		NUT AUTOBLOK DIN 982 M8 ALTO	1,00			--
0089	LAFN07438		BRACKET ALZAFLAP 664	1,00			--
0090	VTRS36062		WASHER D. 8 CRN	3,00			--
0091	MPVR05453		FLAP FRONT RUBBER 664	1,00			--
0092	VTVT08011		SCREW TE M 5X 12 DIN7500 FRM.D	3,00			--
0093	CMCV34027		BARREL CH.14X17 M5	3,00			--
0094	LAFN06709		ROD 664	1,00			--
0095	VTVT00446		SCREW TE UNI 5739 8X20 ACC.8.8	1,00			--
0096	VTRS00504		WASHER D. 8 ZC. UNI 6592	2,00			--
0097	LAFN34955		LEVER FLAP L.8000 2.V	1,00			--
0098	LAFN07372		TOP PROTECTION BEARING 464	1,00			--
0099	LAFN07183		SHEET METAL PA. -	1,00			--
0100	VTVT00005		SCREW TE M 5X 12 F/ROND.ZIGR	6,00			--
0101	GUGO00414		GASKET TELAIO SCUOTITORE	2,00			--
0102	VTAE13511		CIRCLIP D. 10 UNI 7435	1,00			--
0103	PMVR00436		SUPPORT CENT.BRUSH 464 COMPL.	1,00			--



Ref. K	Part n.	Part n. 2	Description	Quantity	Validity		Price
					From	To	
0001	LAFN01223		PIN ROTAZIONE MANIGLIONE	2,00			--
0002	MPVR00914		HOOK HANDLE SIDE	2,00			--
0003	MPVR00915		HOOK CHASSIS SIDE	2,00			--
0004	LAFN06714		HANDLE 664	1,00			--
0005	MPVR00917		CLAMP HANDLE LOCKING	2,00			--
0006	MPVR05319		DRAWER 664	1,00			--
0007	MPVR05890		HOOD 664	1,00			--
0008	MPVR05889		COVER -	1,00			--
0009	MPVR00926		INSTR.PANEL SUPERIORE	1,00			--
0010	MPVR00927		INSTR.PANEL INFERIORE	1,00			--
0011	MPVR05157		COVER 464 RH SIDE GRAY	1,00			--
0012	MPVR05158		COVER 464 LH SIDE GRAY	1,00			--
0013	LAFN06806		BRACKET FISSA FIANCATA	2,00			--
0014	MPVR00902		HANDLE BLOCCA CASSETTO	1,00			--
0015	LAFN01237		PIN BLOCCAGGIO MANIGLIONE	2,00			--
0016	VTVR00305		WASHER DI FERMO DIAMETRO 12	2,00			--
0017	RTRT00039		WHEEL REAR 464-664	2,00			--
0018	RTRT00040		WHEEL FRONT 464-664	1,00			--
0019	MECE00020		BOARD DISPLAY 460-464	1,00			--
0020	LAFN07435		FRAME 664	1,00			--
0021	LAFN01235		PLATE FISSA FLAP SX	1,00			--
0022	MPVR00938		FLAP LH SIDE 464	1,00			--
0023	MPVR04649		CONTAINER BATTERIA 60A	1,00			--
0024	MPVR05105		COVER SCHEDA DI POTENZA	1,00			--
0025	VTVR47052		SPLIT PIN AR DIAM.FILO 2	1,00			--
0026	LAFN01236		SUPPORT SCHEDA POTENZA	1,00			--
0027	MECE00022		TRANSFORMER CHARGER 464-664 230V	1,00			--
0028	MECE00878		BOARD	1,00			--
0029	MPVR00937		FLAP RH SIDE 464	1,00			--
0030	LAFN01234		PLATE FISSA FLAP DX	1,00			--
0031	VTRS00011		WASHER UNI 6592 6X12 ZB	1,00			--
0032	MECB00922		EXTENSION 3x0,75 SHUKO PLUG	1,00			--
0033	VTRS86510		WASHER UNI 6592 12X24 ZB	1,00			--
0034	VTDD00012		NUT AUTOBLOK DIN 985 M12 ZB	1,00			--
0035	MPVR05353		KIT MOUSSE 664	1,00			--
0036	RTRT00011		WHEEL D.150 GRI/NR PARAC.SILVER	1,00			--
0037	MTCG00011		BELT ELASTICA PER BATTERIA	2,00			--
0038	LAFN75911		SPACER D.12 H.7	1,00			--
0039	BAAC00019		BATTERY 12V 42AH/20H AGM	1,00			--
0040	VTAE48552		CIRCLIP ESTERNO DIN 471 D.6	1,00			--
0041	VTVT00800		SCREW TC 4X12 ZN	5,00			--
0042	VTVT00003		SCREW TE M 4X 12 ZC. UNI 5739	1,00			--
0043	VTVT72043		SCREW TCTC UNI 7687 4X16 ZB	4,00			--
0044	VTVT00003		SCREW TE M 4X 12 ZC. UNI 5739	10,00			--



Ref. K	Part n.	Part n. 2	Description	Quantity	Validity		Price
					From	To	
0045	VTVT00104		SCREW TE UNI 5739 6X18 ZB	2,00			--
0046	VTDD00482		NUT M 6 ZIN UNI 5588	2,00			--
0047	VTVT00098		SCREW AUTOF.TC UNI 6954 3,9X9,5	3,00			--
0048	VTVT00993		SCREW TC UNI 8112 TRILOBATA	2,00			--
0049	VTVT00075		SCREW TSCE UNI 5933 5X20 ZB	2,00			--
0050	LAFN06270		RING NUT BLOCCAGGIO MARGHERITA	2,00			--
0051	VTVT14062		SCREW TE UNI 5739 5X16 ZB A.8.8	2,00			--
0052	VTVT00329			2,00			--
0053	MEVR02660		FUSE 6,3X32 20A	1,00			--
0054	MEVR01930		PLUG CON FUSIBILE	1,00			--
0055	VTVT83145		SCREW TSCE UNI 5933 5X15 ZB	11,00			--
0056	VTVT75726		SCREW TBCE ISO 7380 6X16 ZB	4,00			--
0057	VTVT09916		SCREW TBCE ISO 7380 6X20 ZB	2,00			--
0058	VTDD00501		NUT INGABBIATO M6	4,00			--
0059	MECB02177		WIRING 460 E	1,00			--
0060	MECB00924		WIRING BATTERY CONNECTION W/CAPS	1,00			--
0061	MECE00023		CABLE PCB DISPLAY	1,00			--
0062	VTRS15959		WASHER UNI 6593 4X12X1,5 ZB	1,00			--
0063	MEVR00082		CONNECTOR PP75 CORPO NERO	1,00			--
0064	MEVR00083		CONNECTOR PP75 CORPO ROSSO	1,00			--
0065	VTDD00017		NUT AUTOBLOK DIN 985 M5	2,00		12/11/2023	--
0066	VTDD08171		NUT M 5 TEF	2,00	13/11/2023		--
0066	VTVT05726		SCREW M 5X 12 TSPEI ZC. UNI5933	1,00			--
0067	VTRS00010		WASHER UNI 6592 5X10 ZB	1,00			--
0068	MECB00971		WIRING FUGGISCOSSA	1,00			--
0069	VTRS03924		WASHER D. 5 DIN 6798E	1,00			--
0070	MPVR04693		RUBBER CONDUCTIVE	2,00			--
0071	VTVT62920		SCREW TE FR 6X16 ZB ZIGRINATE	2,00			--
0072	MEVR01987		FUSE T0,63A 250V 5X20	1,00			--
0073	ETET00146		LABEL DASHBOARD 464-664	1,00			--
0074	VTVT00724		SCREW	1,00			--
0075	VTVT00892		SCREW	2,00			--
0076	MPVR05321		SIDE PANEL 664	1,00			--
0077	MPVR05345		HANDLE 664	1,00			--
0078	VTVT00375		SCREW TE M12X35	2,00			--
0079	VTVR47015		INSERT PLASTICA (MEDREVITE)	5,00			--
0080	MPVR04968		GASKET 520	0,11			--
0081	VTRS15959		WASHER UNI 6593 4X12X1,5 ZB	2,00			--
0082	VTVT00003		SCREW TE M 4X 12 ZC. UNI 5739	2,00			--
0083	MEVR00150		FUSE 2.5 A 250V 5X20	1,00			--
0084	MEVR00150		FUSE 2.5 A 250V 5X20	1,00			--
0085	MEVR02825		FUSE 5X20 5A T	1,00			--
0086	MEVR04016		FUSE 5x20 6.3 A T	1,00			--
0087	MEVR02480		FUSE-HOLDER 5X20 IP67 250VAC 6.3/10A	4,00			--



Ref. K	Part n.	Part n. 2	Description	Quantity	Validity		Price
					From	To	
0088	LAFN11629		BRACKET FUSE	1,00			--