



IPC

Spare parts list

Ref: MSUB00614

Model: SWEEPER 1250 DP P. F.PAN. GR/VE



IMPORT: TAVERNARO AG

Seuzachstrasse 28

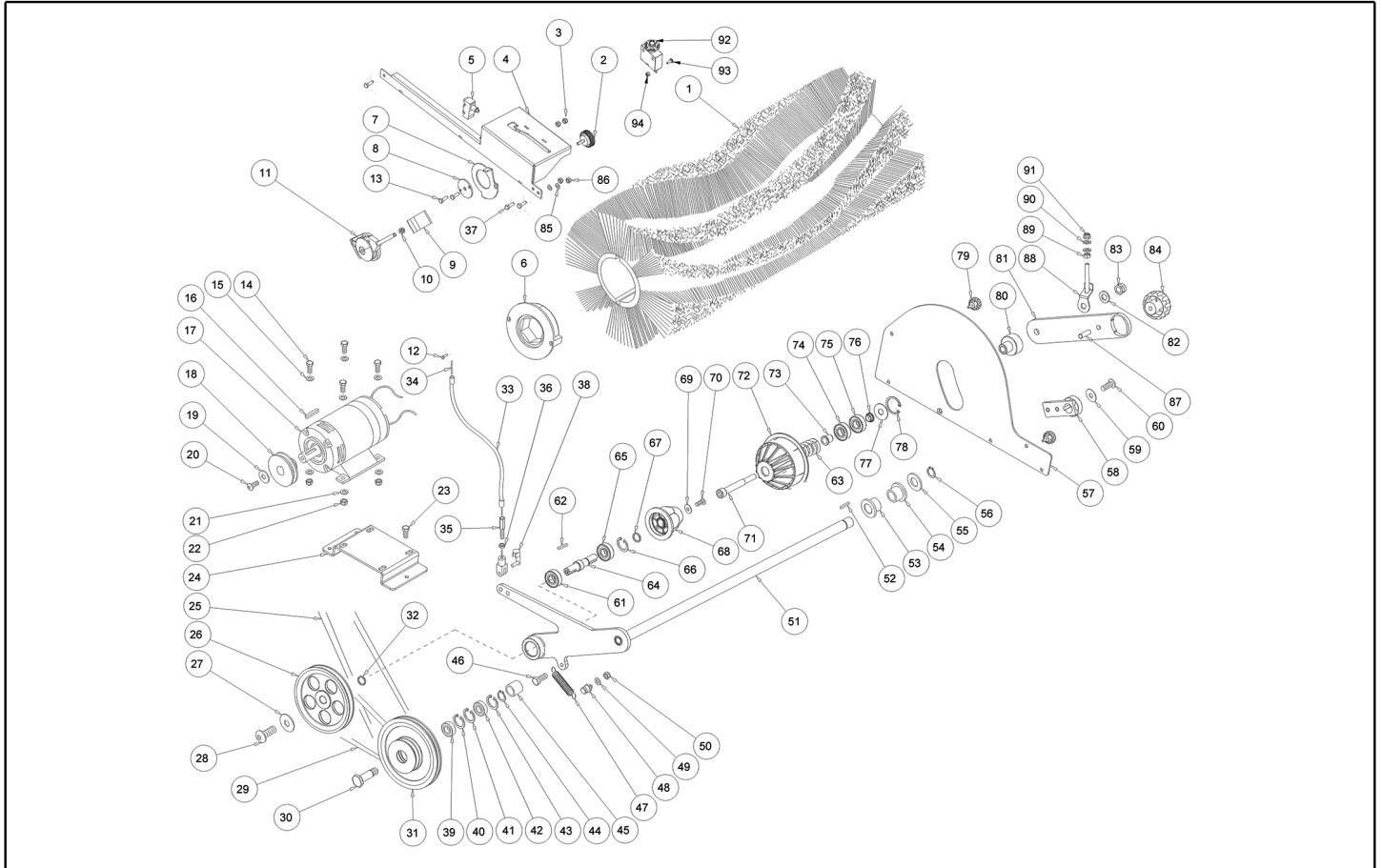
CH-8413 Neftenbach-Winterthur

Telefon: 052 315 19 78, Fax: 052 315 30 70

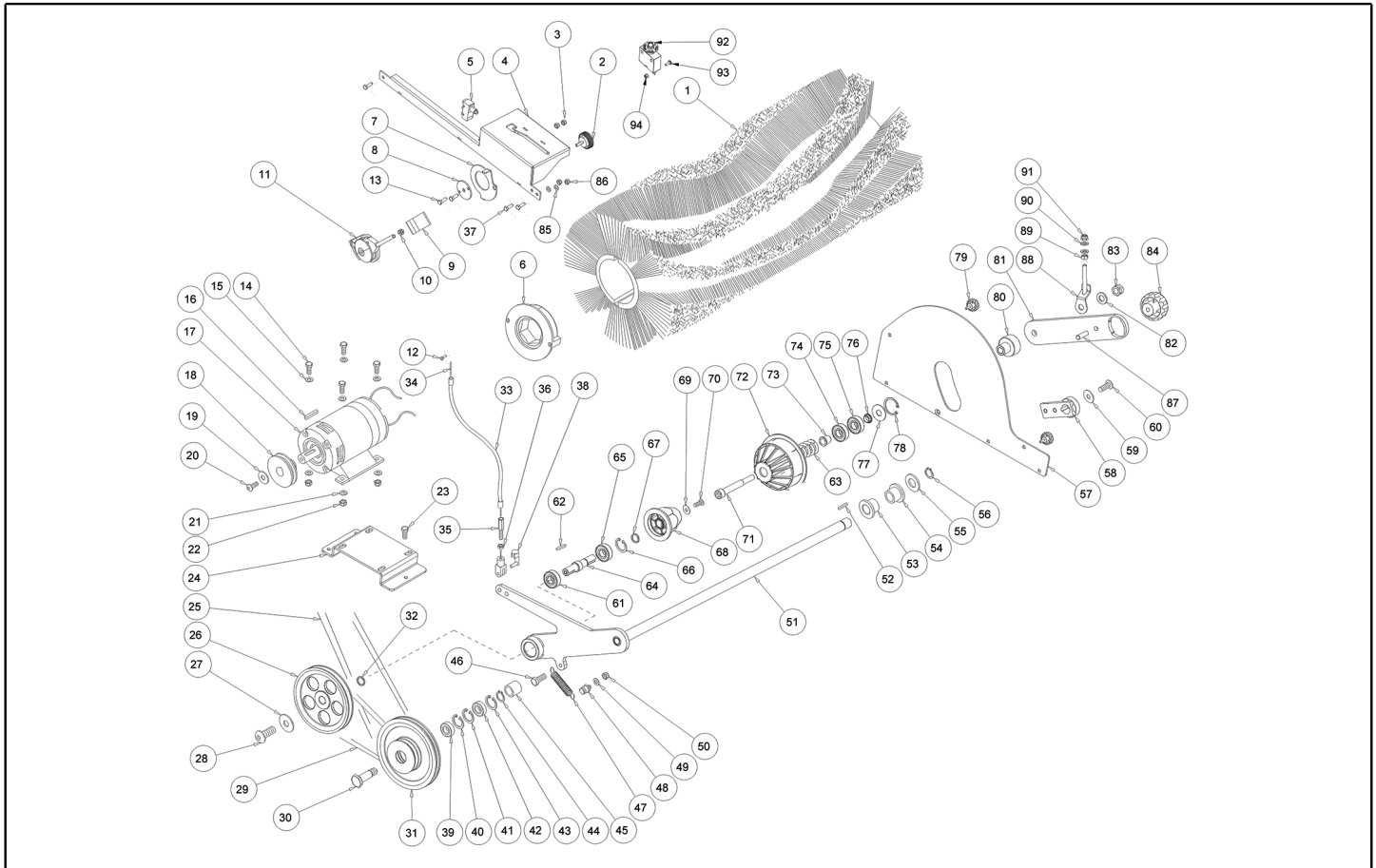
info@taverno.com, www.cleanshop.ch

Table: CENTRAL BRUSH

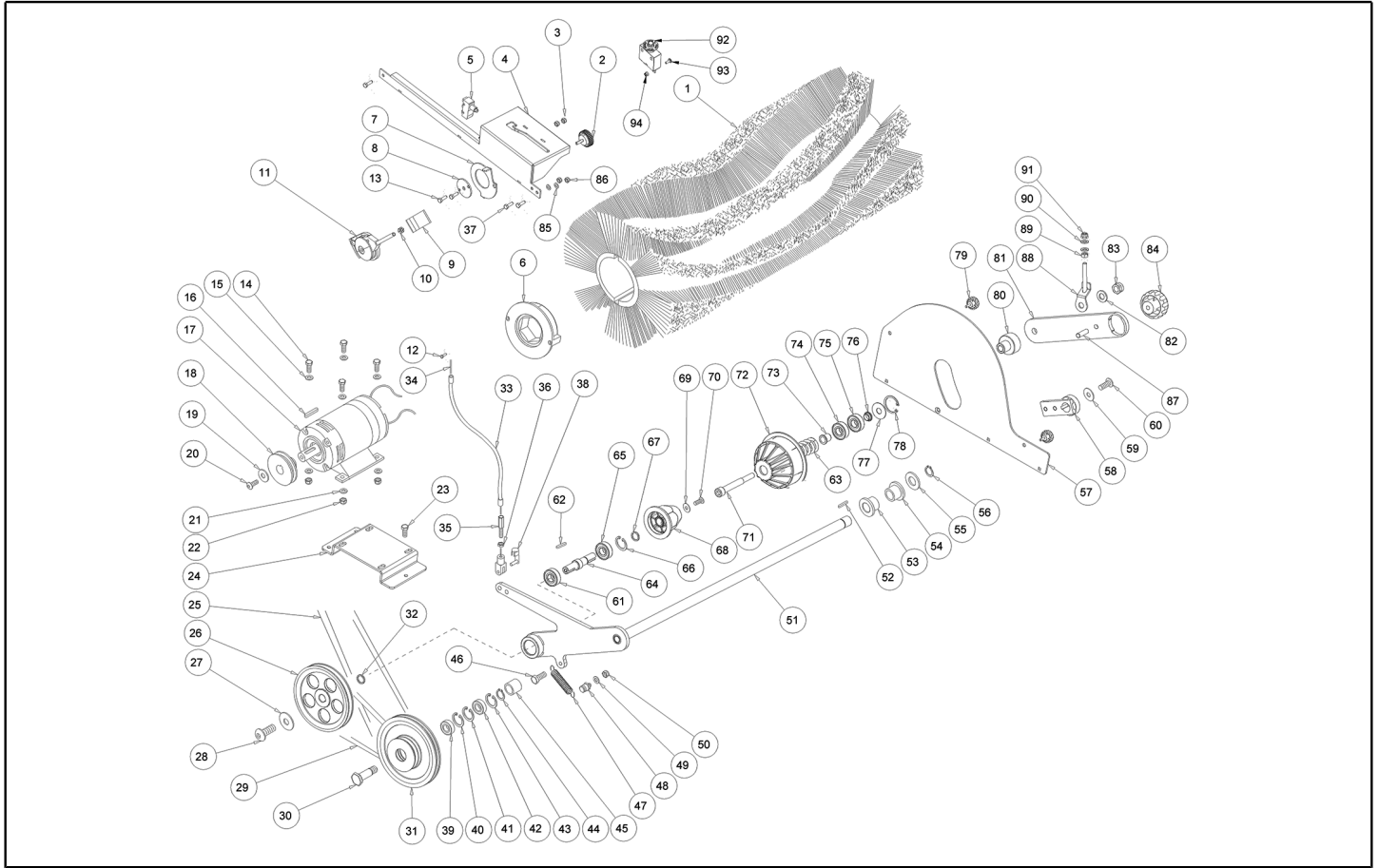
Progressive number: 1



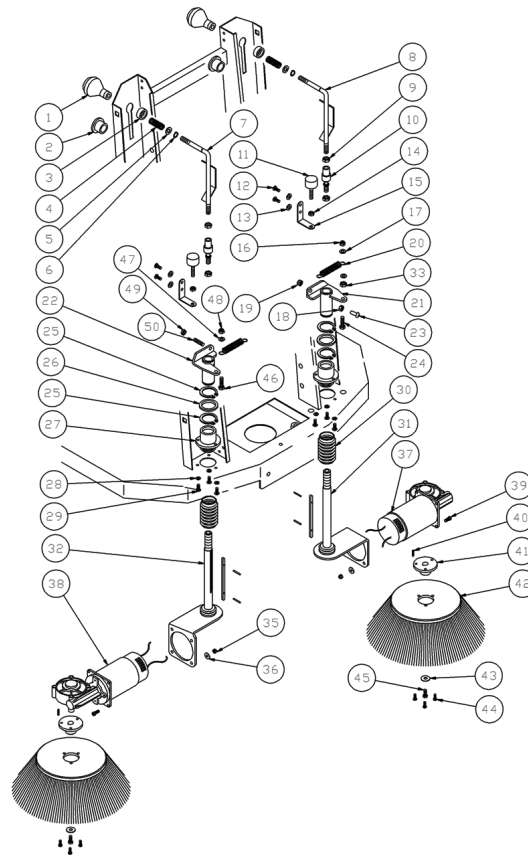
Ref. K	Part n.	Part n. 2	Description	Quantity	Validity		Price
					From	To	
0001	SPPV75791	1350024	CENTRAL BRUSH 680X280mm	1,00			--
0002	VTVT00125	1320106	HANDWHEEL D.40 M6X15	1,00			--
0003	VTDD00491		NUT M 6 TEF	2,00			--
0004	LAFN08182		LEVER -	1,00			--
0005	MECI75801	1380001	MICROSWITCH A PISTONE (MS/10-Z15GC)	1,00			--
0006	LAFN45099	22501036	DRIVE DISK CENTRAL BRUSH	1,00			--
0007	LAFN08186		SHEET METAL PA. -	1,00			--
0008	LAFN08176		THICKNESS -	1,00			--
0009	CMCV33356	RP33356	MANOEUVRE LEVER INOX C/POM.SX NRO	1,00			--
0010	VTDD00483	05092	NUT M 8 ZIN UNI 5588	1,00			--
0011	CMCV33356	RP33356	MANOEUVRE LEVER INOX C/POM.SX NRO	1,00			--
0012	VTVT34115	75019	SCREW TE M 5X 10 UNI 5739	1,00			--
0013	VTVT00444	05012	SCREW TE 6X20 UNI5739	2,00			--
0014	VTVT00448	05156	SCREW TE 8X30 UNI5739	4,00			--
0015	VTRS00504	05242	WASHER D. 8 ZC. UNI 6592	4,00			--
0016	VTVR13165	1105467	KEY UNI 6604 5X5X20	1,00			--
0017	MOCC87164	1340015	MOTOR MP80S/2 24V 3500G 600W	1,00			--
0018	MTPL00215		PULLEY -	1,00			--
0019	VTRS63242	1105325	WASHER UNI 6593 6X24X2 ZB	1,00			--
0020	VTVT01531	05259	SCREW TE 6X 16 UNI 5739	1,00			--
0021	VTRS00504	05242	WASHER D. 8 ZC. UNI 6592	4,00			--
0022	VTDD00124	SL05001	NUT M 8 BASSO	4,00			--
0023	VTVT62920	1105162	SCREW TE FR 6X16 ZB ZIGRINATE	3,00			--
0024	LAFN08171		SHEET METAL PA. TK1000	1,00			--
0025	MTCG00139		BELT XPZ ESEC.6T 6B LP825	1,00			--
0026	MTPL75998	22501001	PULLEY CENTRAL BRUSH ACTIVATION	1,00			--
0027	VTRS00513	1105327	WASHER UNI 6593 8X32X2,5 ZB	1,00			--
0028	VTVT87271	1105239	SCREW TBCE ISO 7380 8X16 ZB	1,00			--
0029	MTCG00138		BELT XPZ ESEC.6T 6B LP758	1,00			--
0030	LAFN00465	22301010	PIN FISSAG.PULEGGIA RINVIO	1,00			--
0031	MTPL75999	22501008	PULLEY BELT TRANSMISSION CENT.BR	1,00			--
0032	LAFN06823		SPACER CUSCINETTI ALB.SP AZ.CENT.	1,00			--
0033	CMCV75904	21251000	BRAKE SHEATH TK 1000E/S	1,00			--
0034	CMCV00451		CABLE -	1,00			--
0035	LAFN76659	22301012	PIN REGISTR.CAVO ALZA SPAZZ.	1,00			--
0036	VTDD86871	1105127	NUT UNI 5589 M7 ZB	1,00			--
0037	VTVT62920	1105162	SCREW TE FR 6X16 ZB ZIGRINATE	3,00			--
0038	CMCV75718	11051101	CLIP UNI 1676 M8	1,00			--
0039	CUVR00005	1390009	BEARING 6202 2RS	1,00			--
0040	VTAE17002	SL11033	CIRCLIP D. 35 UNI 7437	1,00			--
0041	VTAE17002	SL11033	CIRCLIP D. 35 UNI 7437	1,00			--
0042	CUVR00005	1390009	BEARING 6202 2RS	1,00			--
0043	VTAE17002	SL11033	CIRCLIP D. 35 UNI 7437	1,00			--
0044	VTAE17003	1105405	CIRCLIP ESTERNO DIN 471 D.15	1,00			--



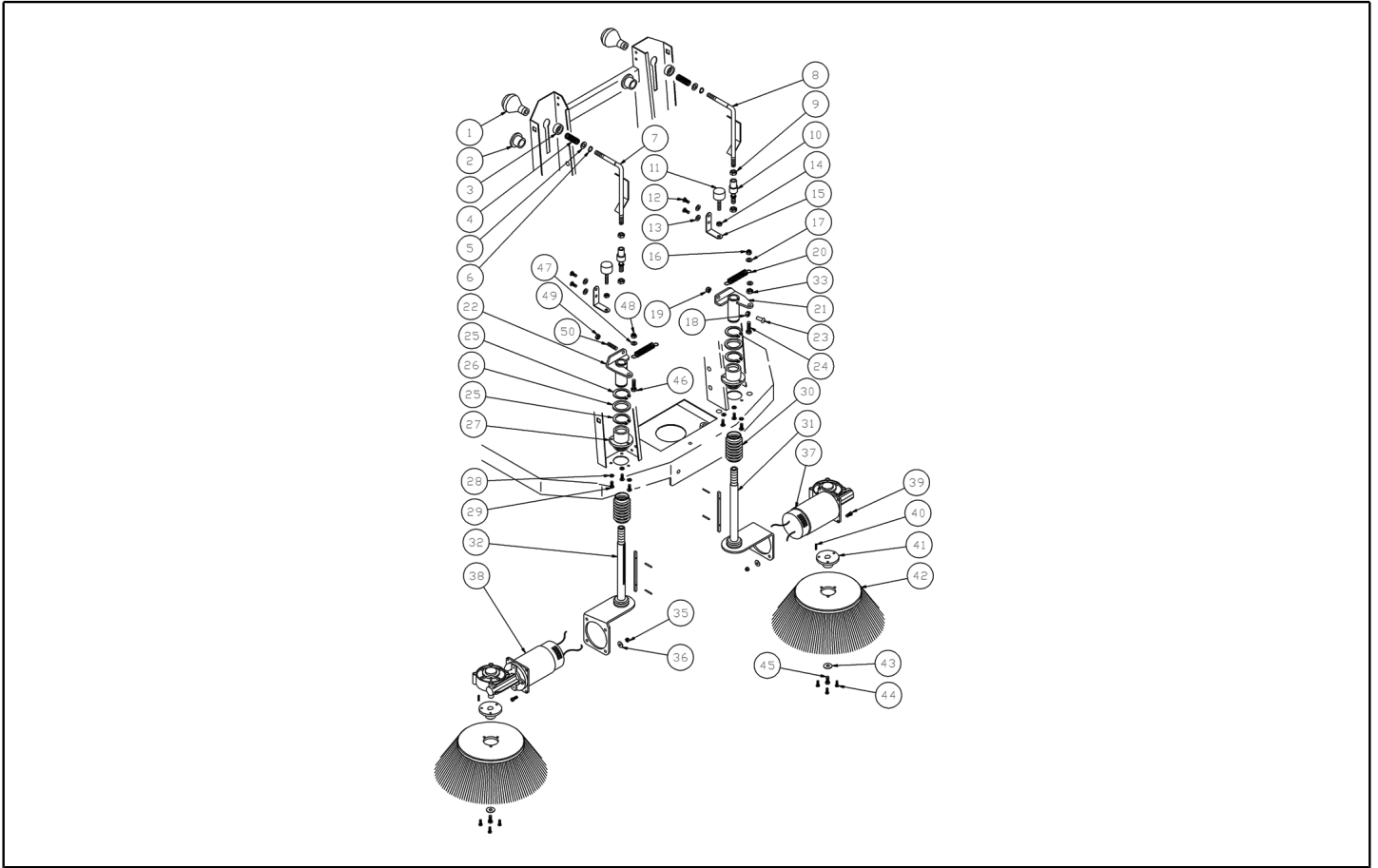
Ref. K	Part n.	Part n. 2	Description	Quantity	Validity		Price
					From	To	
0045	LAFN00091	21101024	BUSHING PER PULEGGIA TRAINO	1,00			--
0046	VTVT63129	1105181	SCREW TE FR 8X16 ZB ZIGRINATE	1,00			--
0047	MLML87162	2205009	SPRING CON GANCI D.17X2X150 ZB	1,00			--
0048	LAFN00464	22301008	PIN MOLLA RITORN.SPAZZ.CENTR.	1,00			--
0049	VTRS00504	05242	WASHER D. 8 ZC. UNI 6592	1,00			--
0050	VTDD00124	SL05001	NUT M 8 BASSO	1,00			--
0051	LAFN08197		ARM -	1,00			--
0052	VTVR28706	1105472	KEY UNI 6604 6X6X20	1,00			--
0053	MPVR85319	21101013	BUSHING INTERNA SUPPORTO BILANC.	1,00			--
0054	MPVR85319	21101013	BUSHING INTERNA SUPPORTO BILANC.	1,00			--
0055	VTRS00509	05115	WASHER D.20 PIANA Z. UNI6592	1,00			--
0056	VTAE06193	RP06193	CIRCLIP D. 20 UNI 7435	1,00			--
0057	LAFN36064		CLOSURE BRUSH COMPARTMENT	1,00			--
0058	LAFN00699	22601027	CLAMP BRACCIO BLOC.SPAZZ.TK1000	1,00			--
0059	VTRS00514	1105367	WASHER UNI 6593 10X30X2,5 ZB	1,00			--
0060	VTVT47025	1105232	SCREW TBCE ISO 7380 10X16 ZB	1,00			--
0061	CUVR17004	SL12018	BALL BEARING 6202 -2RS1	1,00			--
0062	VTVR13165	1105467	KEY UNI 6604 5X5X20	1,00			--
0063	MLML00295		SPRING SPAZZOLA CENTRALE	1,00			--
0064	LAFN08198		SHAFT -	1,00			--
0065	CUVR17004	SL12018	BALL BEARING 6202 -2RS1	1,00			--
0066	VTAE17002	SL11033	CIRCLIP D. 35 UNI 7437	1,00			--
0067	LAFN06823		SPACER CUSCINETTI ALB.SPAZ.CENT.	1,00			--
0068	MPVR04915		HUB CENTRAL BRUSH 1404	1,00			--
0069	VTRS04026		WASHER D. 6X18X2,38	1,00			--
0070	VTVT62920	1105162	SCREW TE FR 6X16 ZB ZIGRINATE	1,00			--
0071	VTVT01128		SCREW TCCE UNI 5931 12X120 ZB	1,00			--
0072	MPVR04923		SUPPORT SPAZZOLA CENTRALE	1,00			--
0073	LAFN06782		BUSHING PER CUSCINETTO	1,00			--
0074	CUVR17004	SL12018	BALL BEARING 6202 -2RS1	1,00			--
0075	CUVR17004	SL12018	BALL BEARING 6202 -2RS1	1,00			--
0076	LAFN06783		BUSHING PER CUSCINETTO 1	1,00			--
0077	VTRS00553		WASHER PARAPOLVERE	1,00			--
0078	VTAE17002	SL11033	CIRCLIP D. 35 UNI 7437	1,00			--
0079	RTRT00022	1320018	HANDWHEEL D.30 M6X15	2,00			--
0080	LAFN06836		PIN CENTRAGGIO PROTEZIONE	1,00		03/09/2015	--
0080	LAFN09473		BUSHING -	1,00	04/09/2015		--
0081	LAFN08193		ARM -	1,00			--
0082	VTRS00506	05126	WASHER D.12 UNI 6592	1,00			--
0083	VTDD00012	1105136	NUT AUTOBLOK DIN 985 M12 ZB	1,00			--
0084	VTVR00047	1320099	HANDWHEEL D.50 M8	1,00			--
0085	VTRS00504	05242	WASHER D. 8 ZC. UNI 6592	2,00			--
0086	VTDD00491		NUT M 6 TEF	2,00			--
0087	VTVT00046	1105484	GRUB SCREW UNI 5923 8X35 ZB	1,00			--



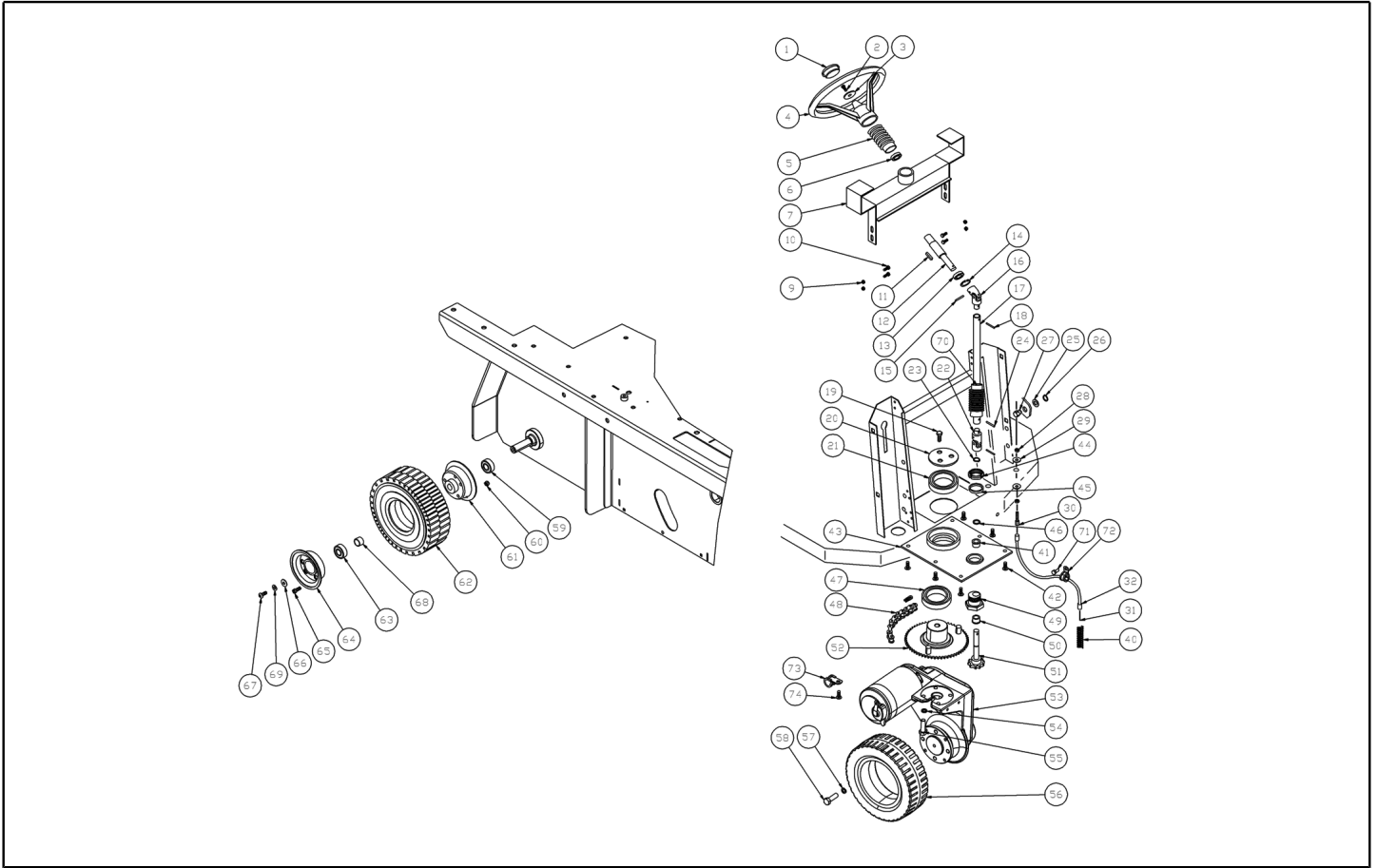
Ref. K	Part n.	Part n. 2	Description	Quantity	Validity		Price
					From	To	
0088	LAFN08826		REGISTER -	1,00	19/05/2015		--
0089	VTDD00483	05092	NUT M 8 ZIN UNI 5588	1,00	19/05/2015		--
0090	VTRS00504	05242	WASHER D. 8 ZC. UNI 6592	2,00	19/05/2015		--
0091	VTDD00124	SL05001	NUT M 8 BASSO	1,00	19/05/2015		--
0092	MEVR02899		FUSE CIRCUIT BREAKER 35A	1,00	13/12/2016		--
0093	VTVT00722	SL04179	SCREW	2,00	13/12/2016		--
0094	VTDD00210		NUT M 3 AUTOBL.DIN 985 IX.A2	2,00	13/12/2016		--



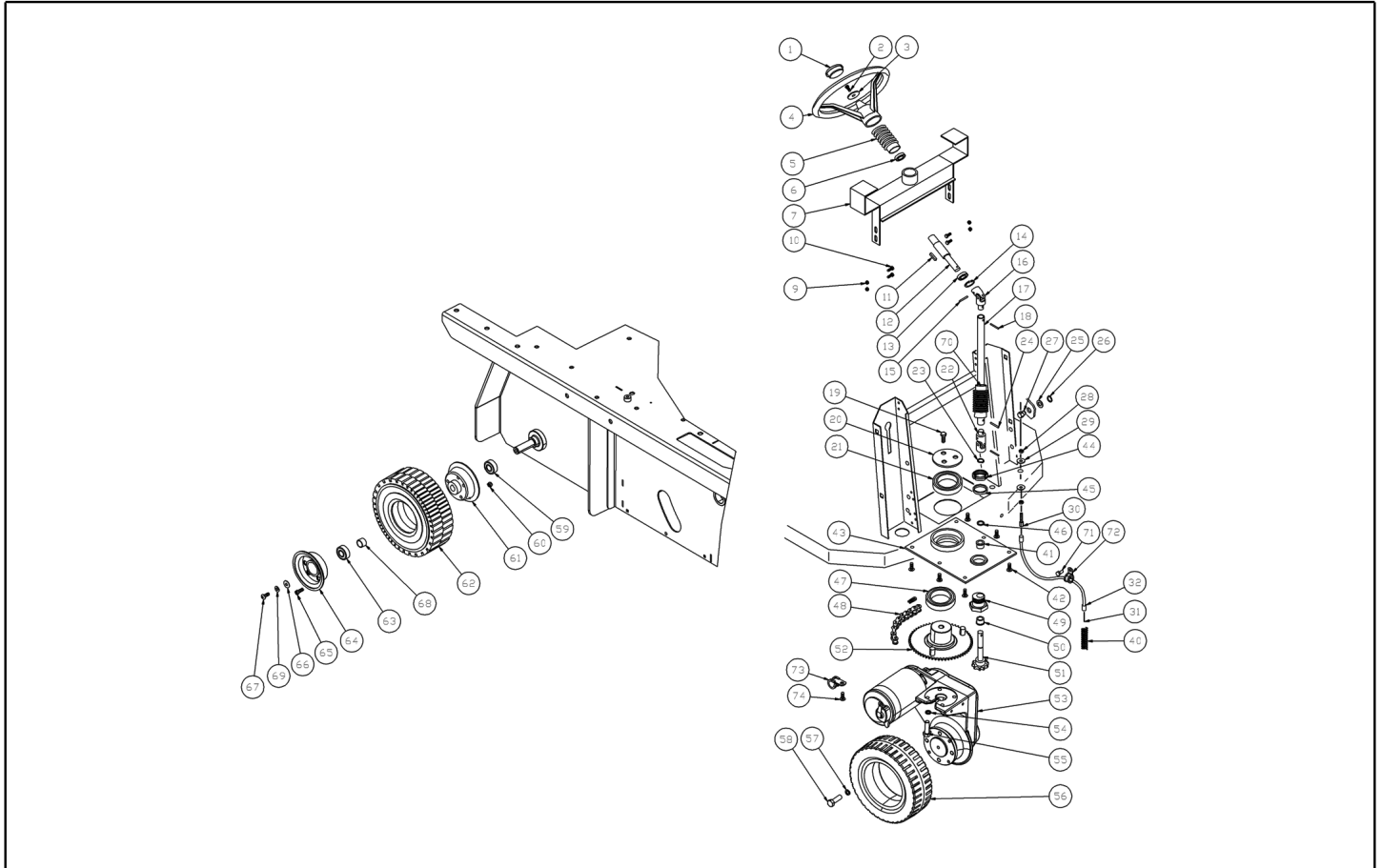
Ref. K	Part n.	Part n. 2	Description	Quantity	Validity		Price
					From	To	
0001	MPVR87264	23201008	KNOB ALZASPAZ.LATERALE TK1000	2,00			--
0002	MPVR47076	21101016	BUSHING DI FERMO BRACCIO LAT.	2,00			--
0003	MPVR47074	21101015	BUSHING FERMO ALZASPAZ.LAT.INT.	2,00			--
0004	MLML47075	22051004	SPRING LEVA SPAZ.LAT.D.15X1,5X24	2,00			--
0005	VTRS00505	05116	WASHER D.10 UNI 6592	2,00			--
0006	VTAE87276	1105410	SEEGER EXT. D10 DIN471	2,00			--
0007	LAFN00700	22601028	ARM DX ALZA SPAZ. TK1000 ZINC	1,00			--
0008	LAFN87265	22601030	ARM SX ALZA SPAZ.LAT.TK1000zn	1,00			--
0009	VTDD00484	05101	NUT M10 ZIN UNI 5588	2,00		29/12/2014	--
0009	VTDD00008	1105129	NUT M10 UNI 5589 ZB	4,00	30/12/2014		--
0010	VTVR47072	1155005	ARTICULATION ASSIALE M10	2,00			--
0011	MPVR75799	1370003	FOOT 20X9 M6X18	2,00		29/12/2014	--
0011	ABGO00008	1370012	VIBRATION DAMP. PM 20X20 M6X20	2,00	30/12/2014		--
0012	VTVT75726	1105236	SCREW TBCE ISO 7380 6X16 ZB	4,00			--
0013	VTRS04026		WASHER D. 6X18X2.38	4,00			--
0014	VTDD00482	05096	NUT M 6 ZIN UNI 5588	2,00			--
0015	MPVR86579	21501101	SUPPORT TK	2,00			--
0016	VTDD00124	SL05001	NUT M 8 BASSO	2,00			--
0017	VTRS00504	05242	WASHER D. 8 ZC. UNI 6592	2,00			--
0018	VTDD00483	05092	NUT M 8 ZIN UNI 5588	1,00			--
0019	VTDD00124	SL05001	NUT M 8 BASSO	1,00			--
0020	MLML00015	22051006	SPRING RIT.BR.LAT.D.19X3,25X57zb	2,00			--
0021	LAFN08975		GUIDE -	1,00			--
0022	LAFN08974		GUIDE -	1,00			--
0023	VTVT75724	1105231	SCREW TBCE ISO 7380 8X22 ZB	1,00			--
0024	VTVT00447	05003	SCREW TE 8X25 UNI5739	1,00			--
0025	VTAE12644	1105419	CIRCLIP ESTERNO DIN 471 D.30	4,00			--
0026	LAFN47081	21301004	SPACER PROT.SEEGER SPAZ.LAT 1000	2,00			--
0027	LAFN08973		FLANGE -	2,00			--
0028	VTRS00504	05242	WASHER D. 8 ZC. UNI 6592	6,00			--
0029	VTVT75725	1105234	SCREW TBCE ISO 7380 6X10 ZB	6,00			--
0030	MPVR47066	13201005	PROTECTOR X ALBERO SPAZZOLA TK1000	2,00			--
0031	LAFN08196		SUPPORT -	1,00			--
0032	LAFN08195		SUPPORT -	1,00			--
0033	VTDD00483	05092	NUT M 8 ZIN UNI 5588	1,00			--
0035	VTDD00491		NUT M 6 TEF	8,00		10/11/2016	--
0036	VTRS00503	05118	WASHER D. 6 UNI 6798	8,00			--
0037	RDGR75785	1340024	MOTOR.GEARBOX AOMPI40 24V 90W SX TK1000	1,00		22/03/2015	--
0037	MOCC00443		MOTOR LEFT SIDE BRUSH MOT.1250B	1,00	23/03/2015		--
0038	RDGR75784	1340016	MOTOR.GEARBOX AOMPI40 24V 90W DX TK1000	1,00		22/03/2015	--
0038	MOCC00442		MOTOR RIGHT SIDE BRUSH MOT.1250	1,00	13/03/2015		--
0039	VTVT06237	1105506	SCREW TCCE UNI 5931 6X20 ZB	8,00		10/11/2016	--
0039	VTVT09913	1105507	SCREW TCCE UNI 5931 6X16 ZB	8,00	11/11/2016		--
0040	VTVR33667	1105464	KEY UNI 6604 5X5X25	2,00			--



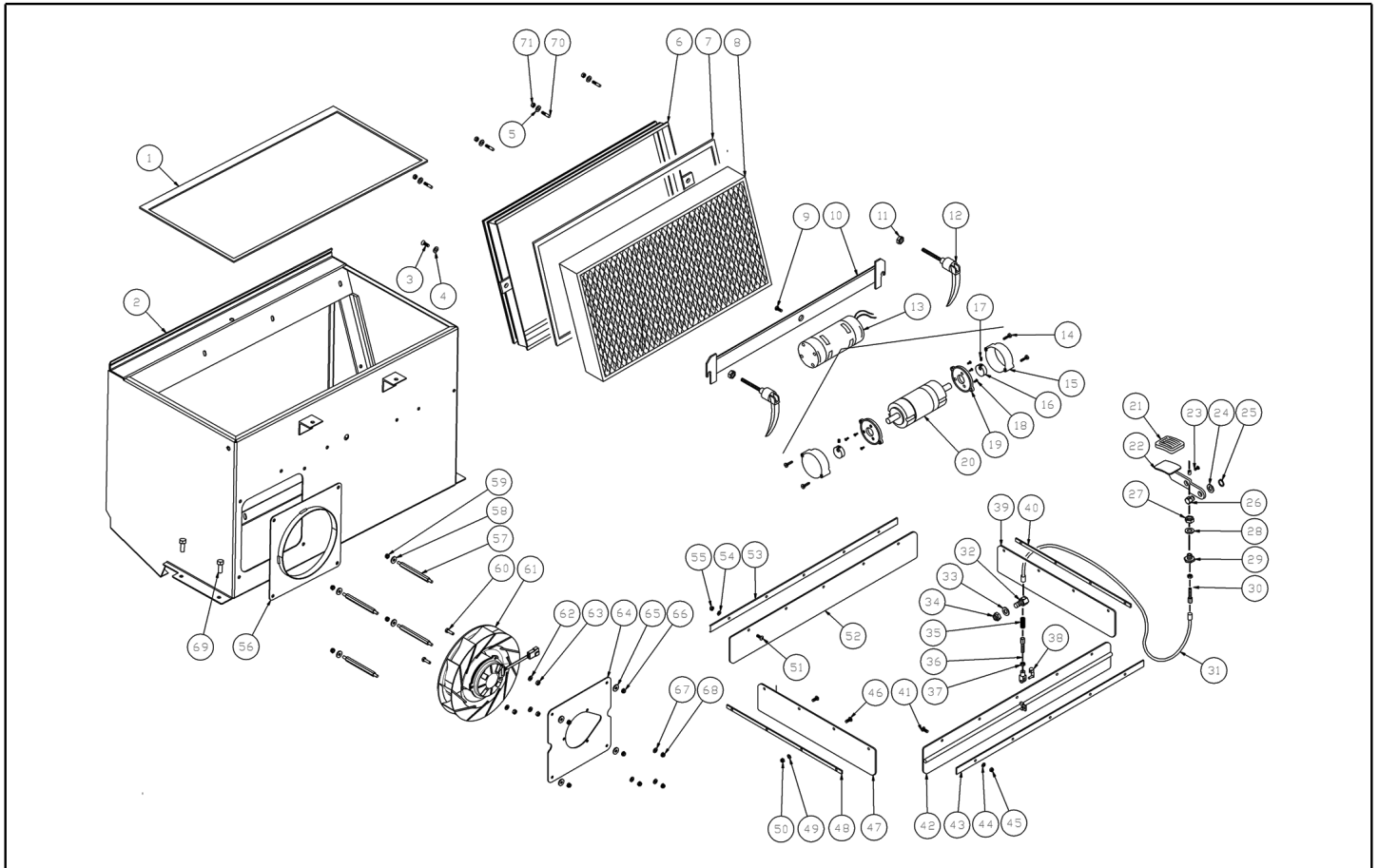
Ref. K	Part n.	Part n. 2	Description	Quantity	Validity		Price
					From	To	
0041	LAFN45010	21501005	FLANGE FISS.SPAZZ.LAT.TK1000	2,00			--
0042	SPPV00018	1350047	SIDE-BRUSH 1202-1250-1280	2,00			--
0043	VTRS63242	1105325	WASHER UNI 6593 6X24X2 ZB	2,00			--
0044	VTVT62920	1105162	SCREW TE FR 6X16 ZB ZIGRINATE	6,00			--
0045	VTVT00527		SCREW TE FR 6X10 ZB ZIG.	2,00			--
0046	VTVT63129	1105181	SCREW TE FR 8X16 ZB ZIGRINATE	1,00			--
0047	VTRS00504	05242	WASHER D. 8 ZC. UNI 6592	1,00			--
0048	VTDD00492	1105788	NUT AUTOBLOK DIN 982 M8 ALTO	1,00			--
0049	VTDD00483	05092	NUT M 8 ZIN UNI 5588	1,00			--
0050	VTVT00046	1105484	GRUB SCREW UNI 5923 8X35 ZB	1,00			--



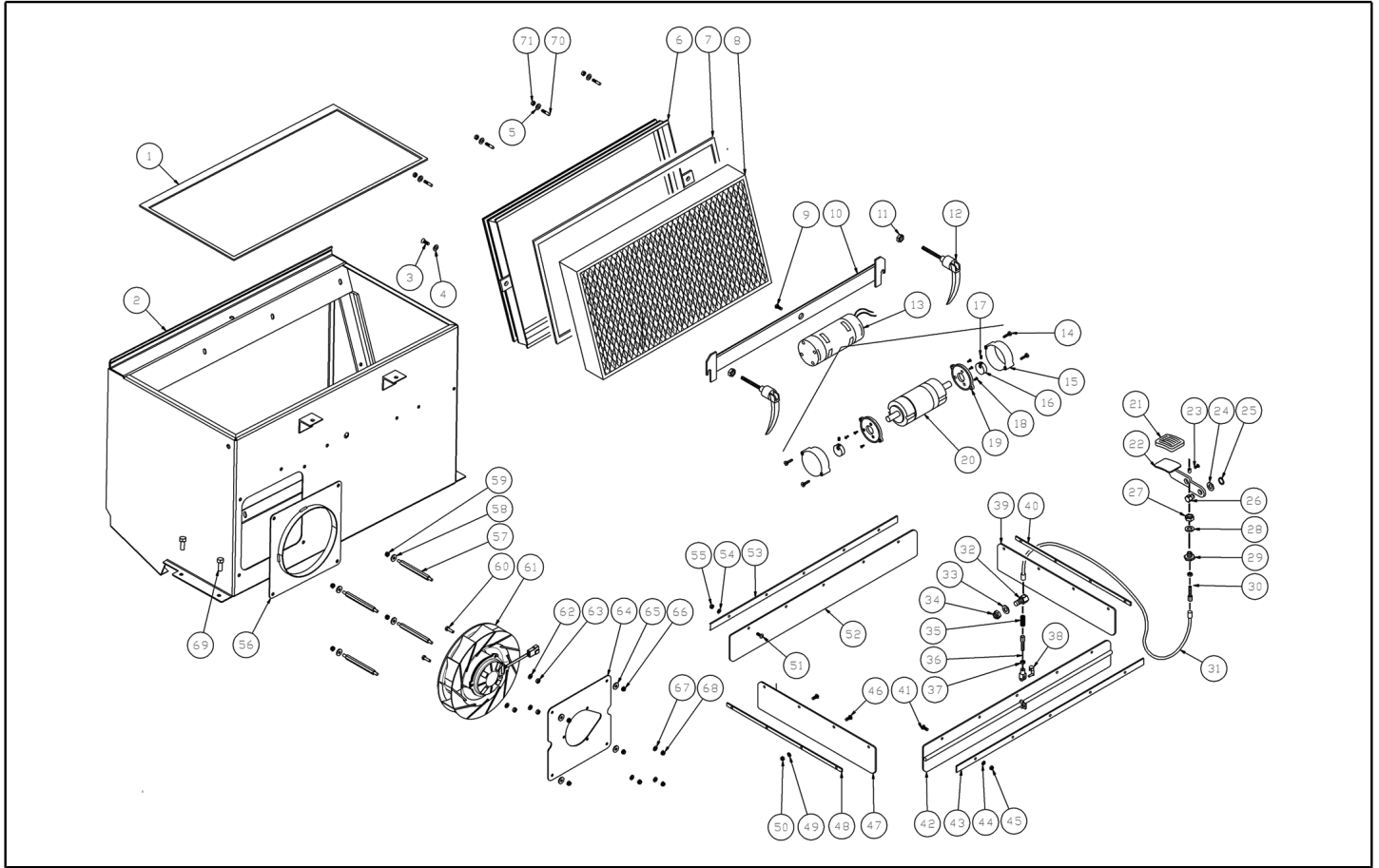
Ref. K	Part n.	Part n. 2	Description	Quantity	Validity		Price
					From	To	
0001	MPVR47026	13201002	CAP PER VOLANTE	1,00			--
0002	VTVT47025	1105232	SCREW TBCE ISO 7380 10X16 ZB	1,00			--
0003	VTRS44254	1105329	WASHER UNI 6593 10X40X2,5 ZB	1,00			--
0004	MPVR47027	13201001	STEERING WHEEL D.320 SENZA POMELLO	1,00			--
0005	MPVR47066	13201005	PROTECTOR X ALBERO SPAZZOLA TK1000	1,00			--
0006	CUVR00005	1390009	BEARING 6202 2RS	1,00			--
0007	LAFN09337		SUPPORT 1250-1280	1,00			--
0009	VTDD07887		NUT M 6 SERPRESS	4,00			--
0010	VTVT62920	1105162	SCREW TE FR 6X16 ZB ZIGRINATE	4,00			--
0011	VTVR13164	1105460	KEY UNI 6604 5X5X30	1,00			--
0012	ALTR00011	21001003	SHAFT PER VOLANTE TK1000	1,00			--
0013	CUVR00005	1390009	BEARING 6202 2RS	1,00			--
0014	VTAE17002	SL11033	CIRCLIP D. 35 UNI 7437	1,00			--
0015	VTVR46987	1105603	ELASTIC PLUG DIN 1481 5X25	1,00		01/05/2017	--
0015	VTVR00327		PLUG -	1,00	02/05/2017		--
0016	VTVR00562		ARTICULATION -	1,00			--
0017	PMTR00021	23101038	SHAFT STERZO 1000 T.NUOVO COMPL	1,00			--
0018	VTVR46987	1105603	ELASTIC PLUG DIN 1481 5X25	1,00		01/05/2017	--
0018	VTVR00327		PLUG -	1,00	02/05/2017		--
0019	VTVT00014	1105063	SCREW TE UNI 5739 8X20 CL.10.9	3,00			--
0020	LAFN47004	21051011	WASHER BLOCCA RAL	1,00			--
0021	CUVR75816	1390019	BEARING 51112	1,00			--
0022	VTVR00562		ARTICULATION -	1,00			--
0023	VTAE17003	1105405	CIRCLIP ESTERNO DIN 471 D.15	1,00			--
0024	VTVR46987	1105603	ELASTIC PLUG DIN 1481 5X25	1,00		01/05/2017	--
0024	VTVR00327		PLUG -	1,00	02/05/2017		--
0025	VTRS00506	05126	WASHER D.12 UNI 6592	1,00			--
0026	VTAE14016	1105420	SEEGER ESTERNO DIN 471 D.12	1,00			--
0027	LAFN75973	22301003	PIN FISSAG.CAVI FERMA FLAP	1,00			--
0028	VTDD00482	05096	NUT M 6 ZIN UNI 5588	2,00			--
0029	VTRS04026		WASHER D. 6X18X2.38	2,00			--
0030	CMCV02396	RP02396	REGISTER CH. 8X 6MAX30	1,00			--
0031	CMCV00468		CABLE 1250-1280 E-DP	1,00			--
0032	CMCV00467		SHEATH 1250-1280 E-DP	1,00			--
0040	MLML00033	2205400	SPRING ALZAFLAP SILVER ZB	1,00			--
0041	LAFN75841	21101002	BUSHING CENTR.PIGNONE RUOTA ANT.	1,00			--
0042	VTVT00456	1105522	SCREW TE UNI 5739 10X25 ZB	6,00			--
0043	LAFN85521	21501004	FLANGE FISSAG.RUOTA ANT.TK1000zn	1,00			--
0044	VTVR75747	1165009	RING NUT AUTOBLOK M35X1,5 GUK	1,00			--
0045	LAFN75913	21301003	SPACER BOCCOLA ECCENTRICA TK1000	1,00			--
0046	MPVR75734	1105952	THICKNESS 15X22X0,5	1,00			--
0047	CUVR75816	1390019	BEARING 51112	1,00			--
0048	MTCR85008	23301001	CHAIN SWEEP 1000 ET	1,00			--
0049	LAFN75842	21101004	BUSHING ECCNTRICA TENDICATENA	1,00			--



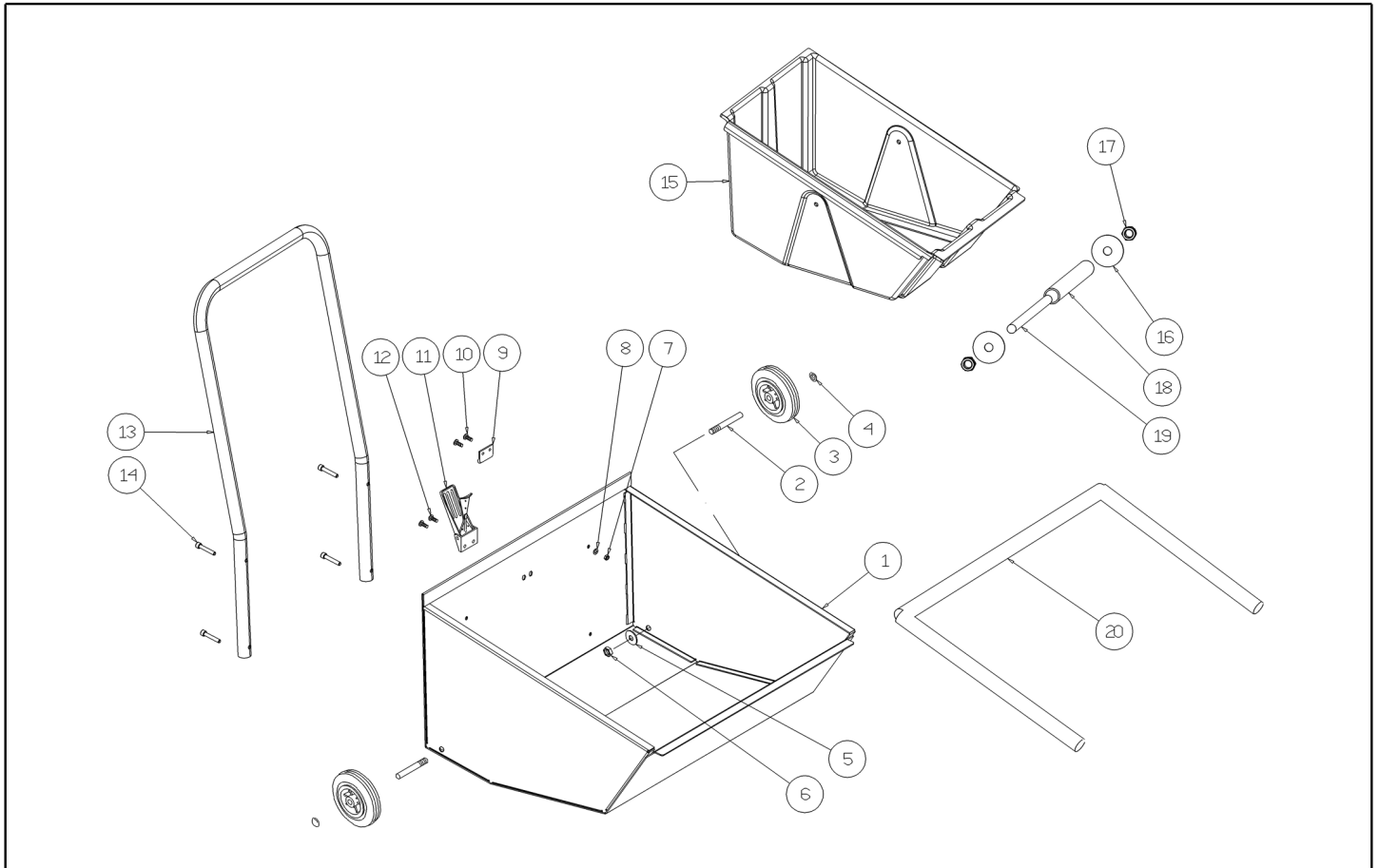
Ref. K	Part n.	Part n. 2	Description	Quantity	Validity		Price
					From	To	
0050	LAFN75841	21101002	BUSHING CENTR.PIGNONE RUOTA ANT.	1,00			--
0051	KTRI46514	23151000	ECCENTRIC BUSH. TK1000 COMPLETA	1,00			--
0052	LAFN08185		BRAKE -	1,00			--
0053	MOCC00434		MOTORWHEEL WITH BRAKE 1250	1,00			--
0054	VTRS00107	75046	WASHER M10 Grover	4,00			--
0055	VTVT00456	1105522	SCREW TE UNI 5739 10X25 ZB	4,00			--
0056	RTRT00548		WHEEL FRONT 1250-1280 E-DP	1,00			--
0057	VTRS15919		WASHER D.12 GROVER UNI 1751 INX	4,00			--
0058	VTVT00025	1105092	SCREW TE UNI 5739 12X16 ZB	4,00			--
0059	CUVR00008	1390018	BEARING 6003 2RS	2,00		24/07/2016	--
0059	CUVR00104	SL12030	BEARING SKF 6003- 2RSH	2,00	25/07/2016		--
0060	VTDD00124	SL05001	NUT M 8 BASSO	10,00			--
0061	LAFN85380	22501005	HUB RUOTA POST.D124 H.33.5	2,00			--
0062	KTRI75744	1160075	WHEEL ANTER./POSTER.TK 1000	2,00			--
0063	CUVR00008	1390018	BEARING 6003 2RS	2,00		24/07/2016	--
0063	CUVR00104	SL12030	BEARING SKF 6003- 2RSH	2,00	25/07/2016		--
0064	LAFN85290	22501004	HUB ruota 124x57.5	2,00			--
0065	VTVT00066	1105517	SCREW TCCE UNI 5931 8X25 ZB	10,00			--
0066	VTRS00512	RS01113	WASHER D. 8 X24 ZC.	2,00			--
0067	VTVT01110	05000	SCREW TE 8X16 UNI5739	2,00			--
0068	LAFN00275	21301024	SPACER INTERNO RUOTA POST.TK1300	2,00			--
0069	VTRS01080	05136	WASHER D. 8 GRW	2,00			--
0070	MPVR47066	13201005	PROTECTOR X ALBERO SPAZZOLA TK1000	1,00			--
0071	VTVT62920	1105162	SCREW TE FR 6X16 ZB ZIGRINATE	1,00			--
0072	FSVR00005	1500017	CLAMP TIPO "ECO"FORO MM8 D.1 W0	1,00			--
0073	FSVR00043	70985	CLAMP d.16	1,00			--
0074	VTVT62920	1105162	SCREW TE FR 6X16 ZB ZIGRINATE	1,00			--



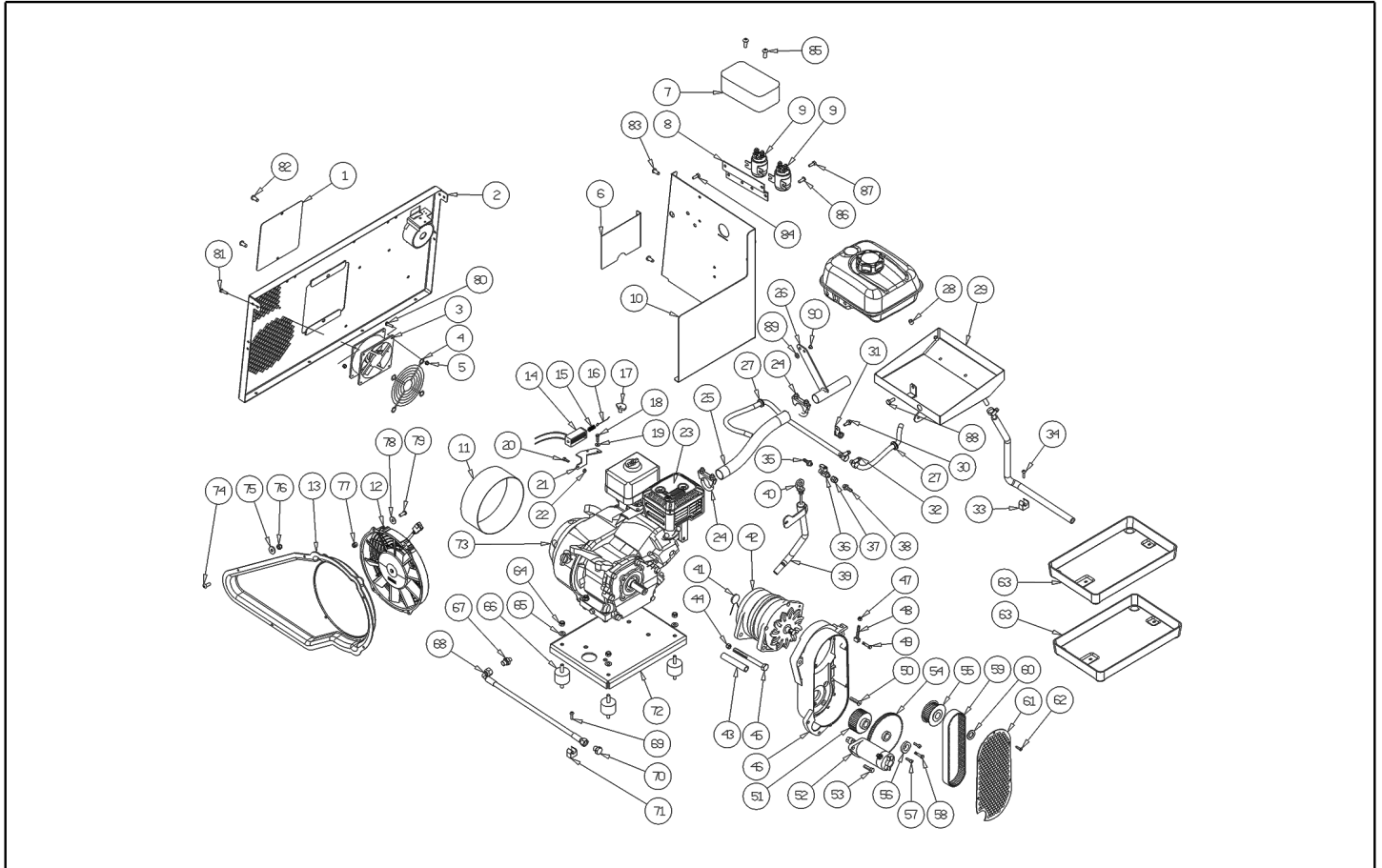
Ref. K	Part n.	Part n. 2	Description	Quantity	Validity		Price
					From	To	
0001	MPVR86607	23101005	KIT GASKET MOUSSE CHIUS.CONT.FILTRO	1,00			--
0002	LAFN36059		CONTAINER FILTER PANEL	1,00			--
0003	VTVT75726	1105236	SCREW TBCE ISO 7380 6X16 ZB	4,00			--
0004	VTRS04026		WASHER D. 6X18X2.38	4,00			--
0005	VTRS04026		WASHER D. 6X18X2.38	6,00			--
0006	LAFN01014	22701006	FRAME PORTA FILTRO TK1000 VIBR.	1,00			--
0007	MPVR86606	23101004	GASKET MOUSSE FILTRO TK1000	1,00			--
0008	FTDP76067	2360004	FILTER PANEL SW1000 PAPER	1,00			--
0009	VTVT47143	1105559	SCREW TSCE UNI 5933 10X16 ZB	1,00			--
0010	LAFN00720	22601060	MOTOR SUPPORT S/FILTRO TK1000 NUOVO VER	1,00			--
0011	VTDD00057		NUT UNI 5589 M8 BASSO ZB	2,00			--
0012	PMVR00215	23101056	HANDLE BLOCCAGGIO FILTR.1000E-S	2,00			--
0013	MOCC45112		MOTOR FILTER SHAKER 24V	1,00			--
0014	VTVT47138	1105365	SCREW AUTOF.TSP UNI 6955 3,9X32	4,00			--
0015	LAFN47139	2120288	COVER PROTEZIONE MASSE SCUOTIF.	2,00			--
0016	LAFN47140	2110045	BUSHING CONTRAPPESO PER SCUOTIFIL	2,00			--
0017	VTVT75731	1105482	GRUB SCREW UNI 5923 6X5	2,00			--
0018	VTVT00474		SCREW TSCE uni 5933 4x12 ZB	6,00			--
0019	MFVR47141	2150031	FLANGE X MOTORE SCUOTIFILTRO	2,00			--
0020	MOCC00004	1340029	MOTOR D.63 24V G3800 W35	1,00			--
0021	MPVR45096	13201007	PEDAL COVER GRANDE V1021	1,00			--
0022	LAFN76008	22601001	PEDAL ALZAFLAP TK1000 ZINCATO	1,00			--
0023	VTVR00028	1125013	CLAMP PER CASSETTO G1300	1,00			--
0024	VTRS00506	05126	WASHER D.12 UNI 6592	1,00			--
0025	VTAE14016	1105420	SEEGER ESTERNO DIN 471 D.12	1,00			--
0026	LAFN75973	22301003	PIN FISSAG.CAVI FERMA FLAP	1,00			--
0027	VTDD01682	05103	NUT M12 ZC UNI 5588	1,00			--
0028	VTRS00505	05116	WASHER D.10 UNI 6592	1,00			--
0029	LAFN75975	22301009	PIN CENTRAG.FILO PEDALE FRENO	1,00			--
0030	CMCV75723	1105229	REGISTER D.7	1,00			--
0031	CMCV75905	21251002	SHEATH X CABLE	1,00			--
0032	LAFN75976	22301013	PIN GUIDA MOLLA ALZAFLAP 1000	1,00			--
0033	VTRS00506	05126	WASHER D.12 UNI 6592	1,00			--
0034	VTDD00012	1105136	NUT AUTOBLOK DIN 985 M12 ZB	1,00			--
0035	MLML75962	22051001	SPRING ALZAFLAP D.11,5X1,5 ZB	1,00			--
0036	CMCV45110	21251005	CORD D. 2.5 FLAP L.14	1,00			--
0037	VTDD00482	05096	NUT M 6 ZIN UNI 5588	1,00			--
0038	CMCV75717	11051100	CLIP UNI 1676 M6	1,00			--
0039	MPVR75936	21601004	FLAP LH-RH SIDES TK1000	1,00			--
0040	LAFN00305	21501008	CLAMP FLAP DX/SX TK1000 NERO	1,00			--
0041	VTVT75721	1105222	SCREW TTDE UNI 5732 6X16 ZB	8,00			--
0042	MPVR75935	21601003	FLAP FRONT TK1000 MODELS	1,00			--
0043	LAFN86529	21501007	CLAMP FLAP ANT/POST TK1000 NERO	1,00			--
0044	VTRS00503	05118	WASHER D. 6 UNI 6798	8,00			--



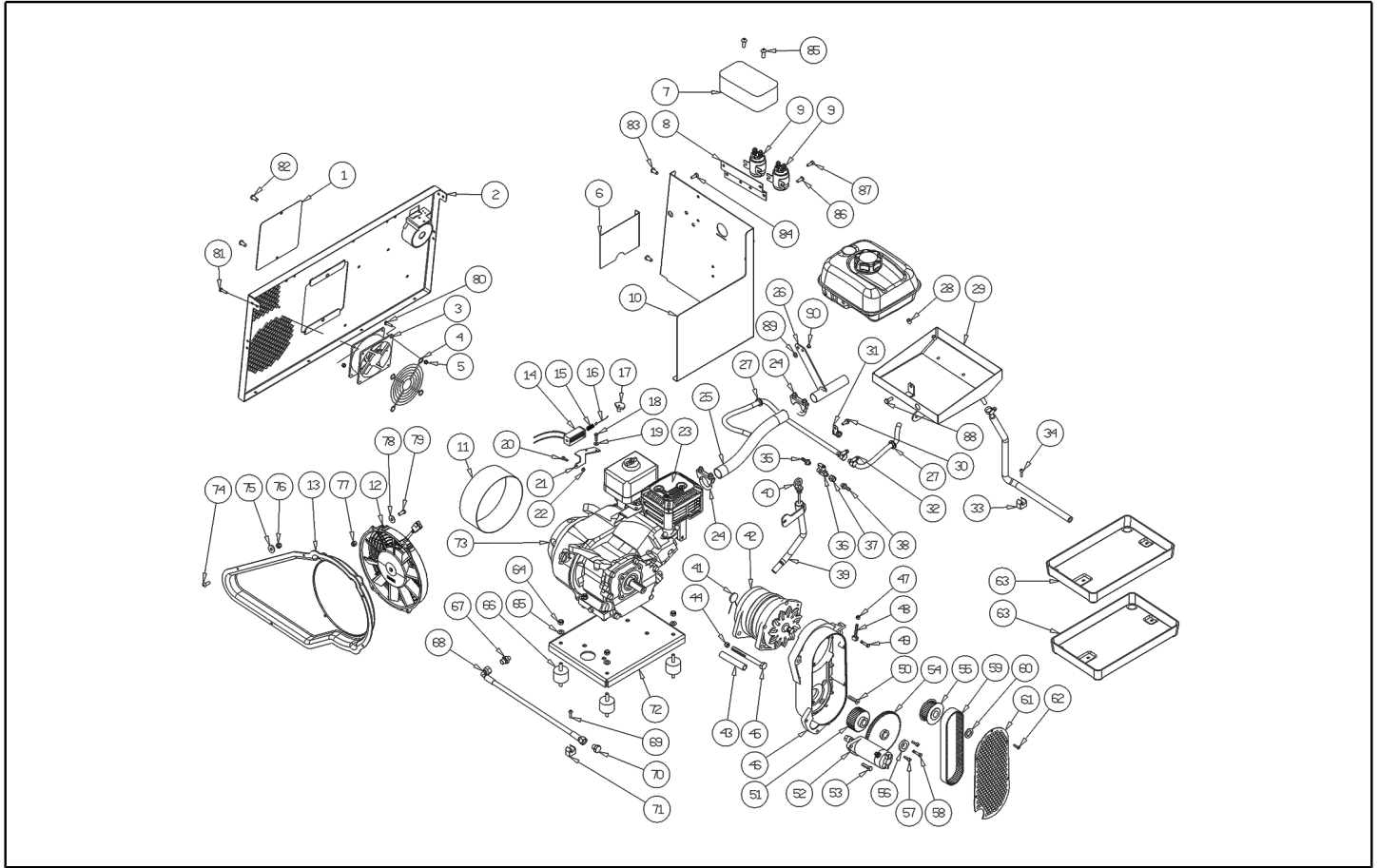
Ref. K	Part n.	Part n. 2	Description	Quantity	Validity		Price
					From	To	
0045	VTDD00491		NUT M 6 TEF	8,00			--
0046	VTVT75721	1105222	SCREW TTDE UNI 5732 6X16 ZB	4,00			--
0047	MPVR75936	21601004	FLAP LH-RH SIDES TK1000	1,00			--
0048	LAFN00305	21501008	CLAMP FLAP DX/SX TK1000 NERO	1,00			--
0049	VTRS00503	05118	WASHER D. 6 UNI 6798	4,00			--
0050	VTDD00491		NUT M 6 TEF	4,00			--
0051	VTVT75721	1105222	SCREW TTDE UNI 5732 6X16 ZB	5,00			--
0052	MPVR75934	21601002	FLAP REAR TK1000	1,00			--
0053	LAFN86529	21501007	CLAMP FLAP ANT/POST TK1000 NERO	1,00			--
0054	VTRS00503	05118	WASHER D. 6 UNI 6798	5,00			--
0055	VTDD00491		NUT M 6 TEF	5,00			--
0056	LAFN08170		ADAPTER TK1000	1,00			--
0057	LAFN06757		SPACER 1450	4,00			--
0058	VTRS04026		WASHER D. 6X18X2.38	4,00			--
0059	VTDD00491		NUT M 6 TEF	4,00			--
0060	VTVT00444	05012	SCREW TE 6X20 UNI5739	3,00			--
0061	VEVR00070		IMPELLER SUCTION MOTOR 1250-1450	1,00			--
0062	VTRS00503	05118	WASHER D. 6 UNI 6798	3,00			--
0063	VTDD00482	05096	NUT M 6 ZIN UNI 5588	3,00			--
0064	LAFN06854		SHEET METAL PA. 1450	1,00			--
0065	VTRS04026		WASHER D. 6X18X2.38	4,00			--
0066	VTDD00491		NUT M 6 TEF	4,00			--
0067	VTRS00503	05118	WASHER D. 6 UNI 6798	3,00			--
0068	VTDD00482	05096	NUT M 6 ZIN UNI 5588	3,00			--
0069	VTVT62920	1105162	SCREW TE FR 6X16 ZB ZIGRINATE	4,00			--
0070	VTVT01699		STUD BOLT M6X20	6,00			--
0071	VTDD00491		NUT M 6 TEF	6,00			--



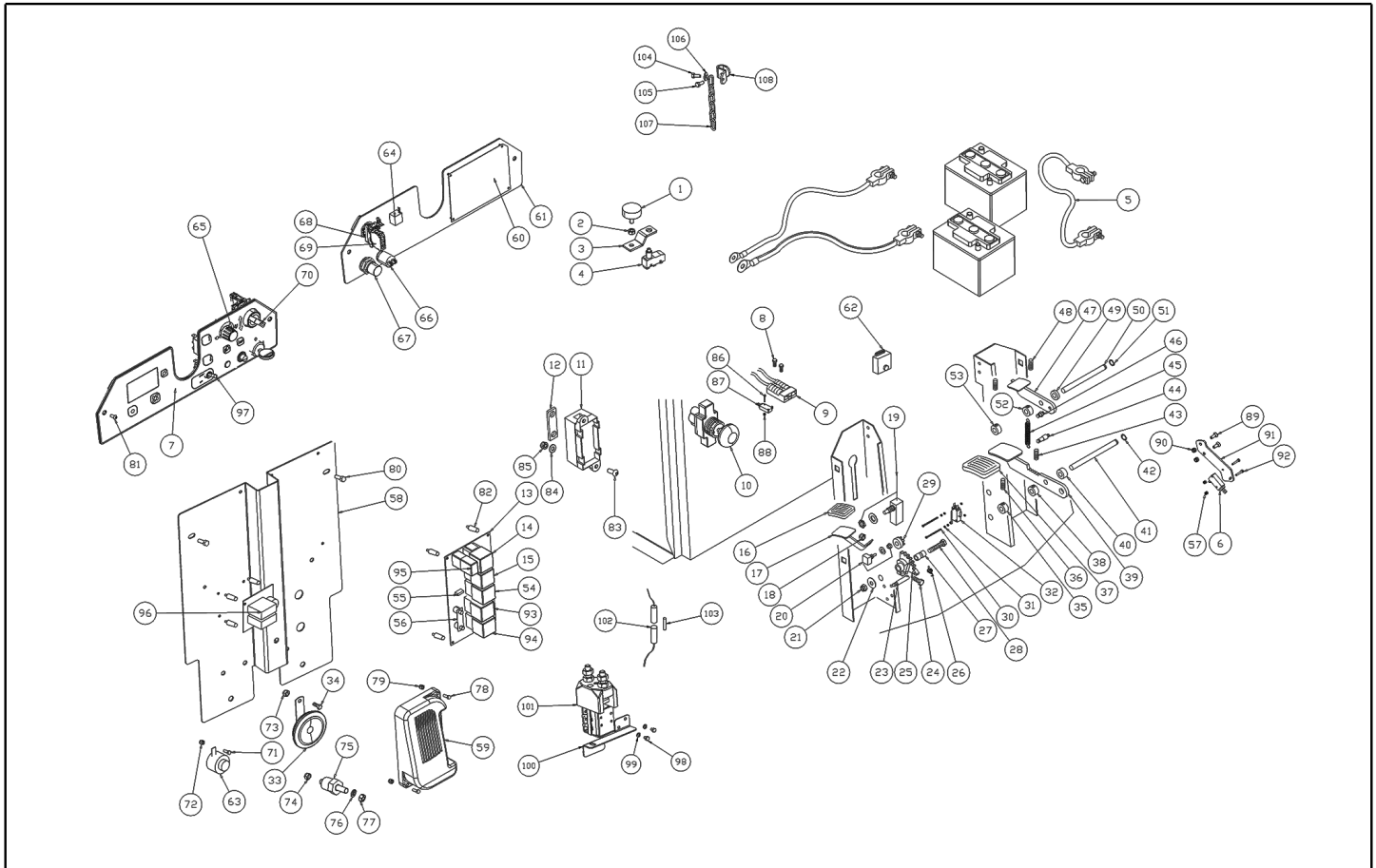
Ref. K	Part n.	Part n. 2	Description	Quantity	Validity		Price
					From	To	
0001	LAFN08175		DRAWER TK1000	1,00			--
0002	LAFN00433	2230024	WHEEL PIN D.15 L.70,5	2,00			--
0003	RTRT00013	1250041	WHEEL GOMMA D.125	2,00			--
0004	VTVR26502	1250017	WHEEL'S COVER D.15	2,00			--
0005	VTRS00505	05116	WASHER D.10 UNI 6592	2,00			--
0006	VTDD00042	SL05032	NUT AUT.M10 UNI7474	2,00			--
0007	VTDD00491		NUT M 6 TEF	4,00			--
0008	VTRS04026		WASHER D. 6X18X2.38	4,00			--
0009	CHVR76643	1320070	SUPP.HOLDER LOCK SW1000	1,00			--
0010	VTVT75726	1105236	SCREW TBCE ISO 7380 6X16 ZB	2,00			--
0011	CHVR76642	1320069	CLOSURE SW1000	1,00			--
0012	VTVT75726	1105236	SCREW TBCE ISO 7380 6X16 ZB	2,00			--
0013	LAFN08194		HANDLE -	1,00			--
0014	VTVT63029	1105510	SCREW TCCE UNI 5931 6X35 ZB	4,00			--
0015	MPVR06100		DRAWER -	2,00			--
0016	VTRS00512	RS01113	WASHER D. 8 X24 ZC.	4,00			--
0017	VTDD00057		NUT UNI 5589 M8 BASSO ZB	4,00			--
0018	FETU34817	1170105		0,34			--
0019	VTVR00308			0,64			--
0020	GUVR00010	1320045	GASKET	1,80			--



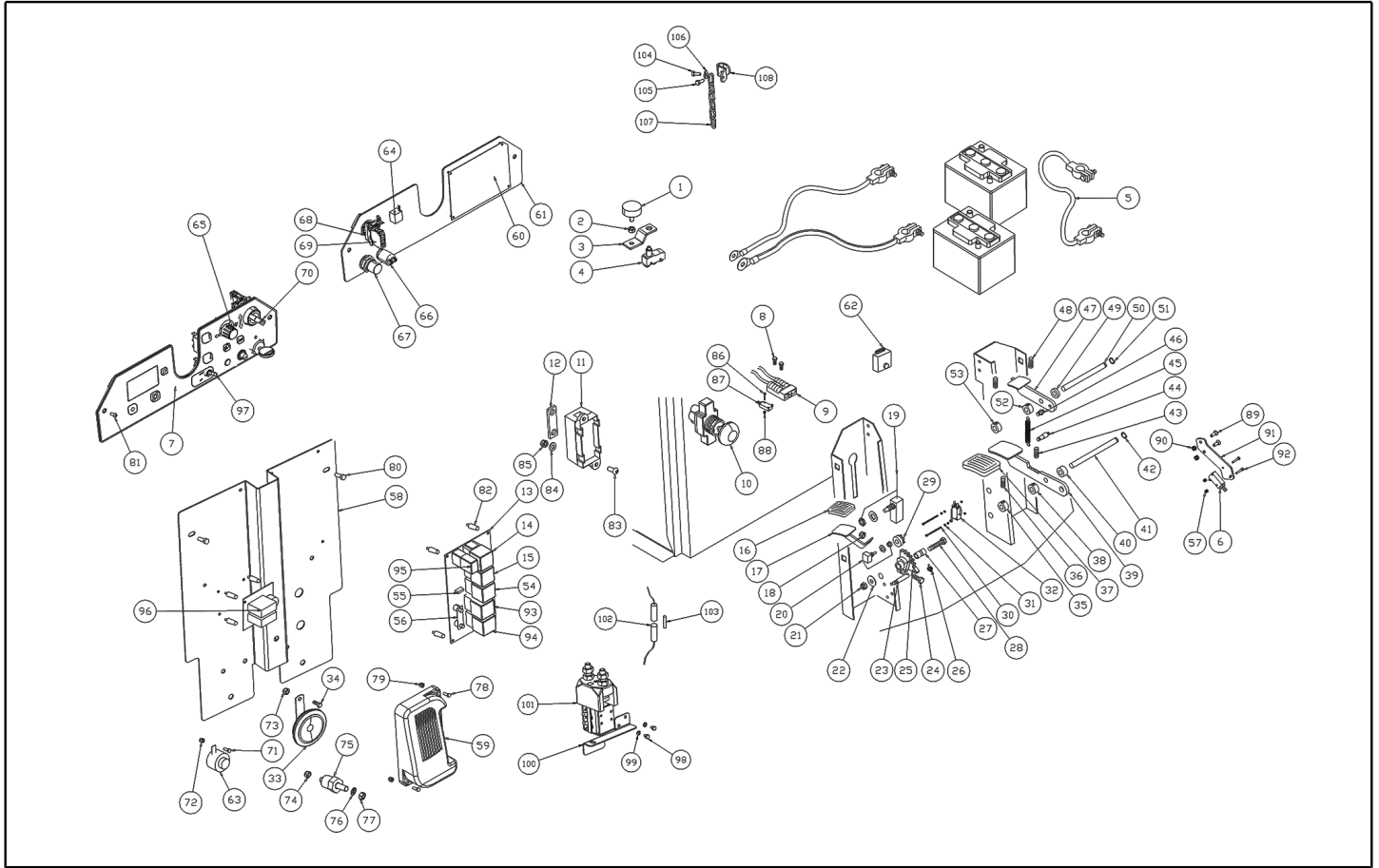
Ref. K	Part n.	Part n. 2	Description	Quantity	Validity		Price
					From	To	
0001	LAFN08122		BULKWARD -	1,00			--
0002	LAFN08179		PANEL -	1,00			--
0003	VEVR45113	1290008	IMPELLER 24V KDE 2412-PMS1 6A	1,00			--
0004	LAFN00009	1290008A	BRACKET PROTEZIONE	1,00			--
0006	LAFN08125		BULKWARD -	1,00			--
0007	MPVR47166	21201076	CRANKCASE PROTEZIONE TELERUT.TK1400	1,00			--
0008	LAFN47167	22601101	BRACKET PORTA TELERUT.TK1400 ZINC	1,00			--
0009	METT45116	1380085	CONTACTOR T106P 24V 100%	2,00			--
0010	LAFN08123		SPACER -	1,00			--
0011	GUVR45977	21601015	GASKET CONV.ARIA 1400/1300/1400	1,00			--
0012	VEVR00078		IMPELLER -	1,00			--
0013	MPVR06411		CONVEYOR -	1,00			--
0014	MEVR02100		SOLENOID -	1,00			--
0015	MLML00348		SPRING -	1,00			--
0016	MEVR45118	21901005	CONNECTING ROD X SOLENOIDE TK1400	1,00			--
0017	MEVR45117	21101057	ROKER SOLENOIDE ARIA MOTORE	1,00			--
0018	VTVT10068	1105816	SCREW TCTC UNI 7687 3X5 ZB	1,00			--
0019	VTRS27296	1105772	WASHER GROWER 3 ZNT	1,00			--
0020	VTVT00107	1105817	SCREW TCTC UNI 7687 3X12 ZB	1,00			--
0021	LAFN47155	22601097	BRACKET PORTA SOLENOIDE	1,00			--
0022	VTDD00001	1105120	NUT UNI 5588 M3 ZB	1,00			--
0023	MRSC00092		SILENCER -	1,00			--
0024	LAFN02858	70363	CLAMP D.32	2,00			--
0025	TBFX00057	70143	FLEXIBLE HOSE	0,38			--
0026	LAFN08128		TUBE -	1,00			--
0027	MEVR00686	71003	FAIR-LEAD DIAMETER 15.5	2,00			--
0028	LAFN47095	21301013	SPACER D.6X10X8 ZINCATO	2,00			--
0029	LAFN08126		BRACKET -	1,00			--
0031	FSVR00005	1500017	CLAMP TIPO "ECO"FORO MM8 D.1 W0	2,00			--
0032	FSVR19692	1500020	CLAMP D. 11-16 VT	2,00			--
0033	FSVR00024	70066	HOSE COLLAR	1,00			--
0035	RCVR00004	1255003	CONNECTOR PORTAGOMMA 1/8" D.7	1,00			--
0036	RCGR00008	1320088	VALVE A SFERA MF 1/8"	1,00			--
0037	RCVR00019	1255032	SLEEVE 1/8"	1,00			--
0038	RCVR00004	1255003	CONNECTOR PORTAGOMMA 1/8" D.7	1,00			--
0039	LAFN08129		TUBE -	1,00			--
0040	TBBP00383		ROD LIVELLO OLIO	1,00			--
0041	METK47170	23802007	PROBE F11-140° NC	1,00			--
0042	ARGN00004	13401012	ALTERNATOR 28V-80A	1,00			--
0043	LAFN47157	21301023	SPACER X ALTERNATORE X 1400 DP	1,00			--
0044	VTDD00042	SL05032	NUT AUT.M10 UNI7474	1,00			--
0045	VTVT16260	1105524	SCREW TE UNI 5737 10X160 ZB	1,00			--
0046	MFVR47154	22601235	SUPPORT MOTORINO TK1400 DP	1,00			--
0047	VTDD00491		NUT M 6 TEF	1,00			--



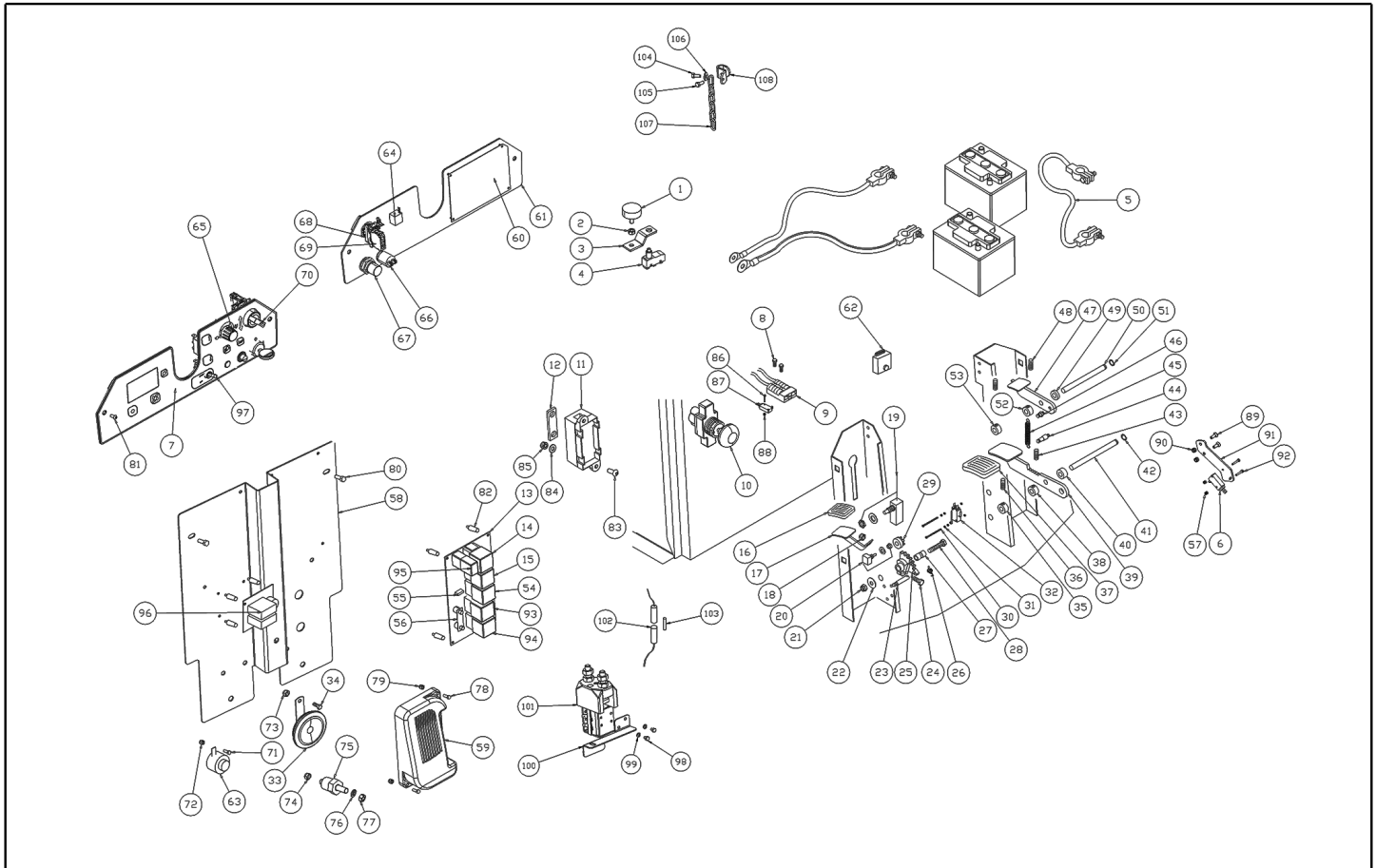
Ref. K	Part n.	Part n. 2	Description	Quantity	Validity		Price
					From	To	
0048	LAFN47168	1500019	BELT-STRETCHER ALTERNATORE TK1400	1,00			--
0049	VTVT28307		SCREW TCCE UNI 5931 10X70 ZN	1,00			--
0050	VTVT63134		SCREW M 8X25 TSPEI ZC UNI 5933	4,00			--
0051	MTPL45323	22501037	PULLEY MOT.HONDA 44-RPP5-25 1400	1,00			--
0052	MOCC45115	13401006	MOTOR 24V 300W SX	1,00			--
0053	VTVT01119	1105563	SCREW TCCE UNI 5931 8X30 ZB	1,00			--
0054	MTCR45720	22501025	TOOTHED WHEEL Z. 80 P 1.75	1,00			--
0055	MTPL45322	22501034	PULLEY ALTERN.40-RPP5-25	1,00			--
0056	LAFN06832		WASHER BLOCCA INGRANAGGIO	1,00			--
0057	VTVT00066	1105517	SCREW TCCE UNI 5931 8X25 ZB	2,00			--
0058	VTVT00448	05156	SCREW TE 8X30 UNI5739	1,00			--
0059	MTCG44555	1330020	BELT DENTATA DAYCO/ISORAN	1,00			--
0060	LAFN00271	21301017	NUT FISSA PULEGGIA ALTERNA.	1,00			--
0061	LAFN47152	22601236	BRACKET PROTEZIONE	1,00			--
0062	VTVT00005	1105023	SCREW TE FR 5X12 ZB	5,00			--
0063	LAFN87156	2120125	CONTAINER BATTERY	2,00			--
0064	VTDD00124	SL05001	NUT M 8 BASSO	4,00			--
0065	VTRS00504	05242	WASHER D. 8 ZC. UNI 6592	4,00			--
0066	ABGO00009	1370013	VIBRATION DAMP. MM 40X30 8MAX25	4,00			--
0067	RCDS47173	22551001	NIPPLE 1/4"-M10X1.25	1,00			--
0068	TBBP00514		TUBE -	1,00			--
0070	RCDS00002	12551001	CAP 1/4" X IMPIANTO IDRAULICO	1,00			--
0071	FSVR00024	70066	HOSE COLLAR	1,00			--
0072	LAFN08184		PLATE -	1,00			--
0073	MOSC47149	1340035	MOTOR HONDA GX200-SX-4-OH	1,00			--
0074	VTVT75726	1105236	SCREW TBCE ISO 7380 6X16 ZB	5,00			--
0075	VTRS04026		WASHER D. 6X18X2.38	5,00			--
0076	VTDD00491		NUT M 6 TEF	5,00			--
0077	VTDD00491		NUT M 6 TEF	4,00			--
0078	VTRS00503	05118	WASHER D. 6 UNI 6798	4,00			--
0079	VTVT75726	1105236	SCREW TBCE ISO 7380 6X16 ZB	4,00			--
0080	VTVT15924	1105494	SCREW TCTC 4X16 ACCIAIO INOX	4,00			--
0081	VTVT15924	1105494	SCREW TCTC 4X16 ACCIAIO INOX	4,00			--
0082	VTVT75726	1105236	SCREW TBCE ISO 7380 6X16 ZB	2,00			--
0083	VTVT75726	1105236	SCREW TBCE ISO 7380 6X16 ZB	2,00			--
0084	VTVT62920	1105162	SCREW ZB FR 6X16 ZB ZIGRINATE	2,00			--
0085	VTVT75725	1105234	SCREW TBCE ISO 7380 6X10 ZB	2,00			--
0086	VTVT75725	1105234	SCREW TBCE ISO 7380 6X10 ZB	2,00			--
0087	VTVT62920	1105162	SCREW TE FR 6X16 ZB ZIGRINATE	2,00			--
0088	VTVT00527		SCREW TE FR 6X10 ZB ZIG.	1,00			--
0089	VTRS00274	SL06064	WASHER NYLON 66 D.8,4-17-2 UNI	2,00	17/12/2015		--
0090	LAFN09413		BUSHING -	2,00	17/12/2015		--



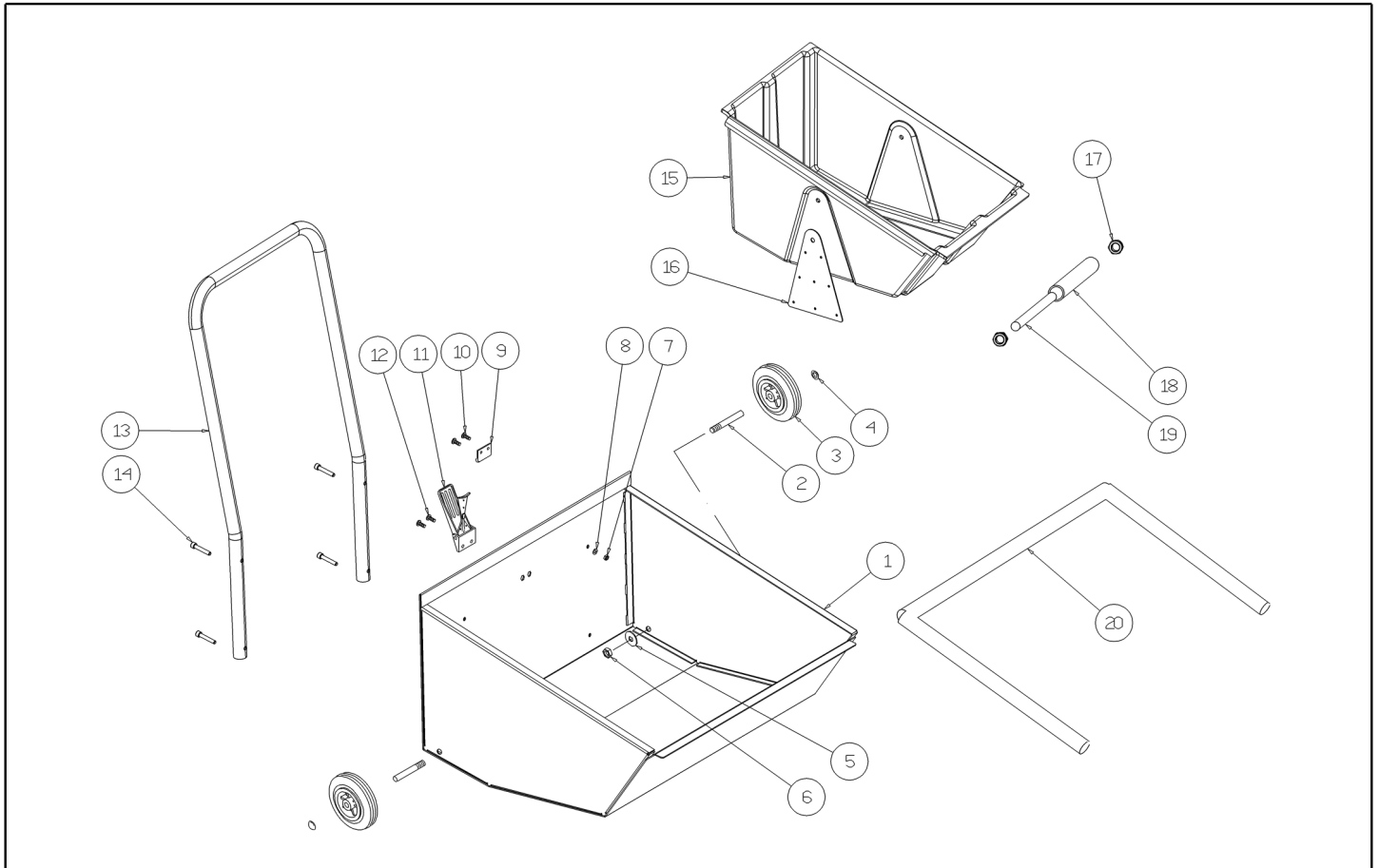
Ref. K	Part n.	Part n. 2	Description	Quantity	Validity		Price
					From	To	
0001	ABGO00026	70775	VIBRATION DAMP.	2,00			--
0002	VTDD10776	05094	NUT M 8 X1 UNI 5588	4,00			--
0003	LAFN07862		BRACKET -	1,00			--
0004	MECI75801	1380001	MICROSWITCH A PISTONE (MS/10-Z15GC)	1,00			--
0005	MEVR34820	SL23838	WIRING BATTERY BRIDGE W/TERMINAL	3,00			--
0006	MECI00114	70319	MICROSWITCH	1,00			--
0007	ETET01798		LABEL -	1,00			--
0008	VTVT19236	1105777	SCREW TCCE UNI 5931 5X20 ZB	2,00			--
0009	MEVR01079	SL23010K	PLUG M CB50 A 600V RD.	1,00			--
0010	MECI00571		BUTTON EMERGENCY BL.SB 1250	1,00			--
0011	MEVR00146	1380151	FUSE-HOLDER MEGA	1,00			--
0012	MEVR00145	1380150	FUSE 100A	1,00			--
0013	MECE00592		BOARD POWER SERVICE 1250-1280	1,00			--
0014	MECE00201	71337	RELAIS 24V 10-20 A	1,00			--
0015	MECE00201	71337	RELAIS 24V 10-20 A	1,00			--
0016	MPVR85654	13201006	PEDAL COVER PICCOLO V1020	1,00			--
0017	LAFN08220		PEDAL -	1,00			--
0018	VTDD00124	SL05001	NUT M 8 BASSO	1,00			--
0019	MECI75801	1380001	MICROSWITCH A PISTONE (MS/10-Z15GC)	2,00			--
0020	KTRI02289		KIT 1250-80	1,00			--
0021	VTDD00124	SL05001	NUT M 8 BASSO	1,00			--
0022	VTRS00504	05242	WASHER D. 8 ZC. UNI 6592	1,00			--
0023	LAFN75969	2230005	PIN SOSTEGNO CINGHI D.9 H.33	1,00			--
0024	VTVT01688		SCREW TBEI M 8X 30 ISO 7380 IX	1,00			--
0025	MTIG85317	22501006	GEAR ACCELERATORE TK1000	1,00			--
0026	MLML85997	22051007	SPRING A TORSIONE D.2 TK1000Egz	1,00			--
0027	LAFN47084	21101019	BUSHING ACCELERATORE TK 1000	1,00			--
0028	VTVT00017	1105066	SCREW TE UNI 5739 8X35 ZB	1,00			--
0029	MTIG85318	22501011	GEAR POTENZIOMETRO ACCEL.1000E	1,00			--
0030	VTVT00021	1105071	SCREW TE UNI 5739 3X25 ZB	2,00			--
0031	VTDD00001	1105120	NUT UNI 5588 M3 ZB	4,00			--
0032	MECI30642	SL23021	MICRO-SWITCH 11A 0.33HP	1,00			--
0033	MEVR33430		KLAXON K100/Y 1A 24V	1,00		11/10/2015	--
0033	MEVR02112		HORN 24V	1,00	12/10/2015		--
0034	VTVT00527		SCREW TE FR 6X10 ZB ZIG.	1,00			--
0035	LAFN47030	21101006	BUSHING FISS.PEDALE FRENO FORATA	1,00			--
0036	VTVT75731	1105482	GRUB SCREW UNI 5923 6X5	1,00			--
0037	MPVR45096	13201007	PEDAL COVER GRANDE V1021	1,00			--
0038	LAFN47030	21101006	BUSHING FISS.PEDALE FRENO FORATA	1,00			--
0039	LAFN09344		PEDAL -	1,00			--
0040	LAFN47019	21101012	BUSHING FISSAGGIO PEDALE FRENO	1,00			--
0041	LAFN47036	22301004	PIN FISS.PEDALE FRENO+ALZAFI.	1,00			--
0042	VTAE87276	1105410	SEEGER EXT. D10 DIN471	1,00			--
0043	VTVT75731	1105482	GRUB SCREW UNI 5923 6X5	1,00			--



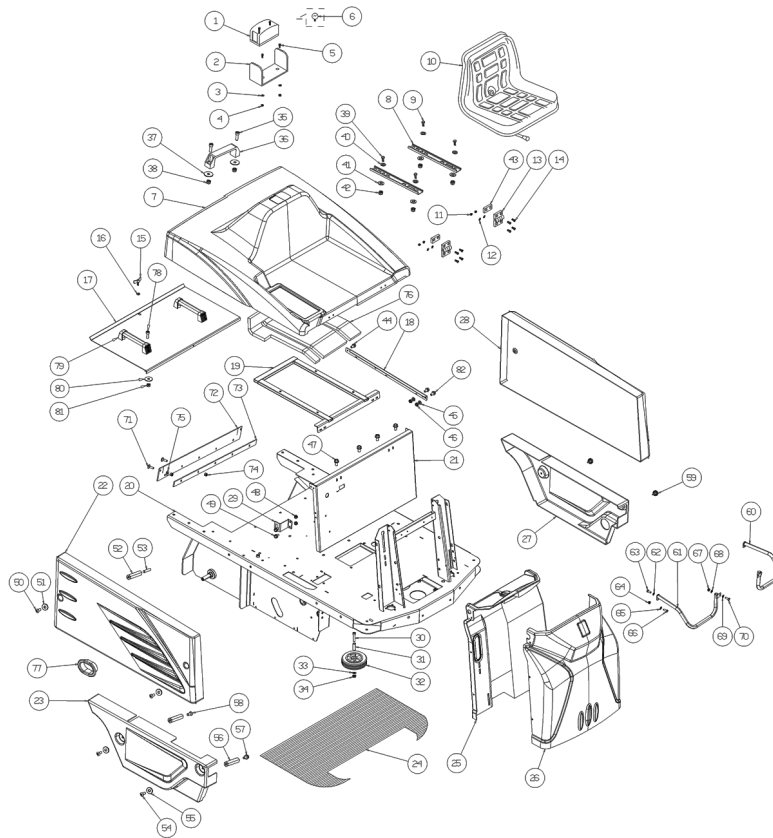
Ref. K	Part n.	Part n. 2	Description	Quantity	Validity		Price
					From	To	
0044	LAFN47035	2230015	PIN CH.10 H.26 ATTACCO MOLLA	1,00			--
0045	MLML75960	2205005	SPRING TRAZIONE TK D.8X1X29 ZB	1,00			--
0046	LAFN47029	2230012	PIN CH.10 H.16 ATTACCO MOLLA	1,00			--
0047	LAFN47032	22601002	PEDAL BLOCCO FRENO TK1000 ZINC	1,00			--
0048	VTVT75731	1105482	GRUB SCREW UNI 5923 6X5	1,00			--
0049	LAFN47033	21101005	BUSHING FISSAGGIO PERNO PEDALI	1,00			--
0050	LAFN47031	22301007	PIN PEDALE BLOCCO FRENO 1000	1,00			--
0051	VTAE87276	1105410	SEEGER EXT. D10 DIN471	1,00			--
0052	LAFN47030	21101006	BUSHING FISS.PEDALE FRENO FORATA	1,00			--
0053	LAFN47030	21101006	BUSHING FISS.PEDALE FRENO FORATA	1,00			--
0054	MECE00201	71337	RELAIS 24V 10-20 A	1,00			--
0055	MEVR01136	SL23148	FUSE 30A	1,00			--
0056	MEVR02060		FUSE 40A	1,00			--
0057	VTDD21115	SL05019	NUT M 3 INOX	2,00			--
0058	LAFN08202		PLATE -	1,00			--
0059	MECE00601		BOARD 1250-1280	1,00			--
0060	MECE00591		BOARD LOGIC 1250-1280	1,00			--
0061	LAFN08204		SUPPORT METAL DASHBOARD 1250	1,00			--
0062	MEVR02017		BEEPER -	1,00			--
0063	MECE00182	70989	BUZZER	1,00			--
0064	MEVR01941		POTENTIOMETER 100K	1,00			--
0065	KTRI01935		KIT 1050-1202	1,00			--
0066	MEVR85330	1180012	BUTTON -	1,00			--
0067	MECI75805	13801001	SWITCH KEY FOR BATTERY MACHINES	1,00			--
0068	MECI00520		SMALL BASKET FIX TO FIX CONTACT	1,00			--
0069	MECI00518		CONTACT NC	1,00			--
0070	MECI00572		SELECTOR -	1,00			--
0071	VTVT00311	75218	SCREW TE M4X12	1,00			--
0072	VTDD04368	05090	NUT M 4 ZIN UNI 5588	1,00			--
0073	VTDD00491		NUT M 6 TEF	1,00			--
0074	VTDD00124	SL05001	NUT M 8 BASSO	2,00			--
0075	MEVR01116	SL23103	SUPPORT FUSIBILE 120 A	2,00			--
0076	VTRS01080	05136	WASHER D. 8 GRW	2,00			--
0077	VTDD00483	05092	NUT M 8 ZIN UNI 5588	2,00			--
0078	VTVT01529	75104	SCREW TE M4X20 ZINC. UNI 5739	2,00			--
0079	VTDD04369	75259	NUT M 4 TEF UNI 7473	2,00			--
0080	VTVT00527		SCREW TE FR 6X10 ZB ZIG.	3,00			--
0081	VTVT00659	SL04065	SCREW TC+ M. 4-15	8,00			--
0082	MEVR01708		COLUMN -	4,00			--
0083	VTVT75726	1105236	SCREW TBCE ISO 7380 6X16 ZB	2,00			--
0084	VTRS00503	05118	WASHER D. 6 UNI 6798	2,00			--
0085	VTDD00491		NUT M 6 TEF	2,00			--
0086	VTVT01170		SCREW TC 2X16	2,00			--
0087	MERL00018		MICROSWITCH	1,00			--



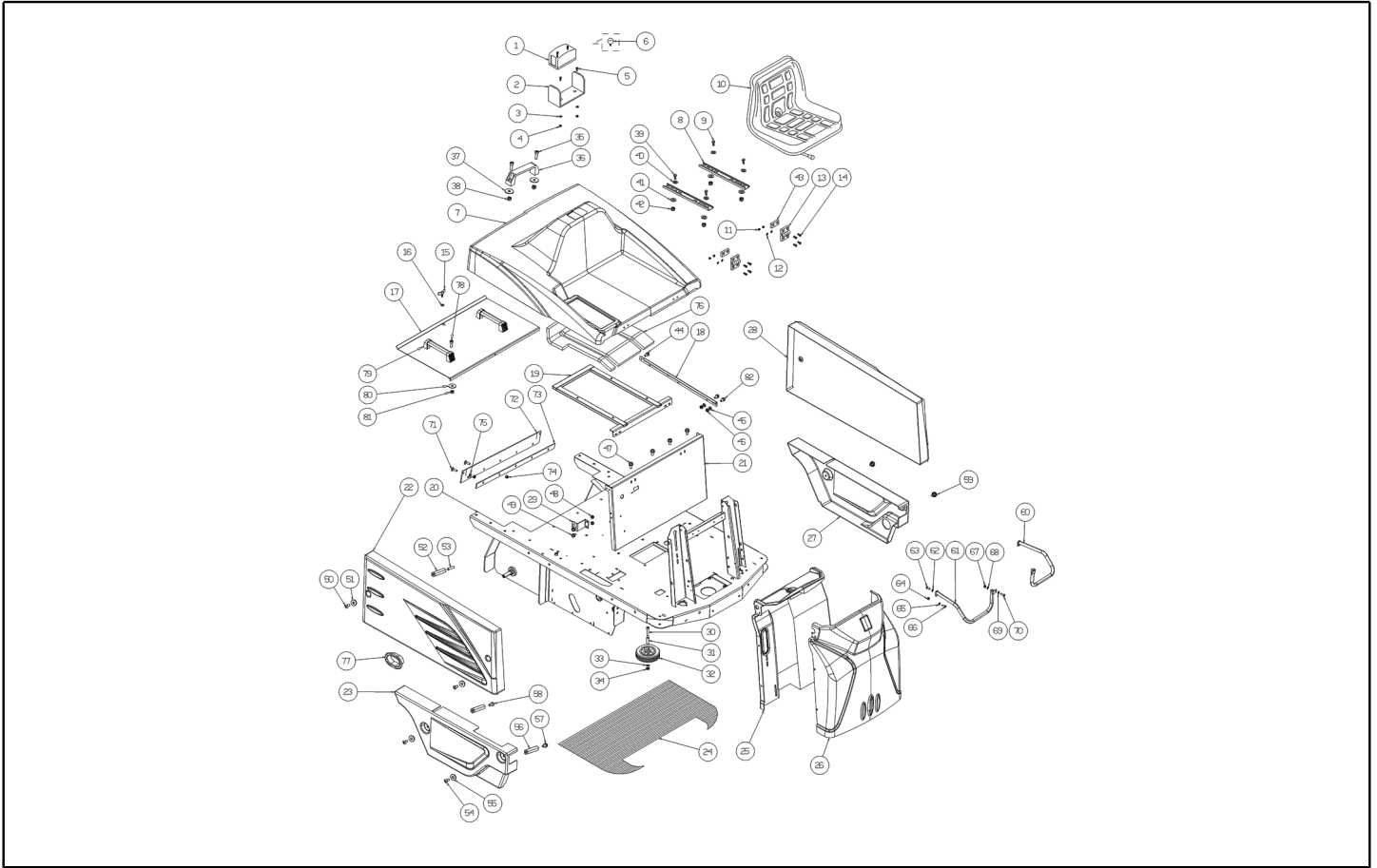
Ref. K	Part n.	Part n. 2	Description	Quantity	Validity		Price
					From	To	
0088	VTDD00213		NUT M2	2,00			--
0089	VTVT16939	SL04401	SCREW M 4X 16 TSPEI UNI 5933	2,00			--
0090	VTDD04369	75259	NUT M 4 TEF UNI 7473	2,00			--
0091	LAFN09383		BRACKET -	1,00			--
0092	VTVT01350		SCREW M3-20 INOX	2,00			--
0093	MERL00016		SWITCH RELAY 24V	1,00			--
0094	MERL00016		SWITCH RELAY 24V	1,00			--
0095	MECE00456		RELAY CT110	1,00			--
0096	MECE45124	21801054	PCB RELÉ TK1400	1,00			--
0097	MECI75945	21801013	COMMUTAT.SWITCH 3 POSIZ.FUNZ.MACCH.+CAPP	1,00			--
0098	VTVT01669		SCREW M4x6 UNI5739 znt cl.4.8	2,00	12/10/2015		--
0099	VTRS00501	05109	WASHER D. 4 0.232 UNI 6592	2,00	12/10/2015		--
0100	LAFN09488		PLATE	1,00	12/10/2015		--
0101	MECI00532		CONTACTOR 24V-100A	1,00	12/10/2015		--
0102	MEVR00080	1380090	FUSE-HOLDER PV610 10A	1,00	12/10/2015		--
0103	MEVR00072	1380079	FUSE 2.5A F6.3X32-100/110V	1,00	12/10/2015		--
0104	VTVT34115	75019	SCREW TE M 5X 10 UNI 5739	1,00	12/10/2015		--
0105	VTVT00005	1105023	SCREW TE FR 5X12 ZB	1,00	12/10/2015		--
0106	VTRS15958	1105808	WASHER UNI 6592 5X15X1,5 ZB	1,00	12/10/2015		--
0107	MTCR00029	70311	SMALL CHAIN	0,17	12/10/2015		--
0108	LAFN07380		BRACKET G1050	1,00	12/10/2015		--



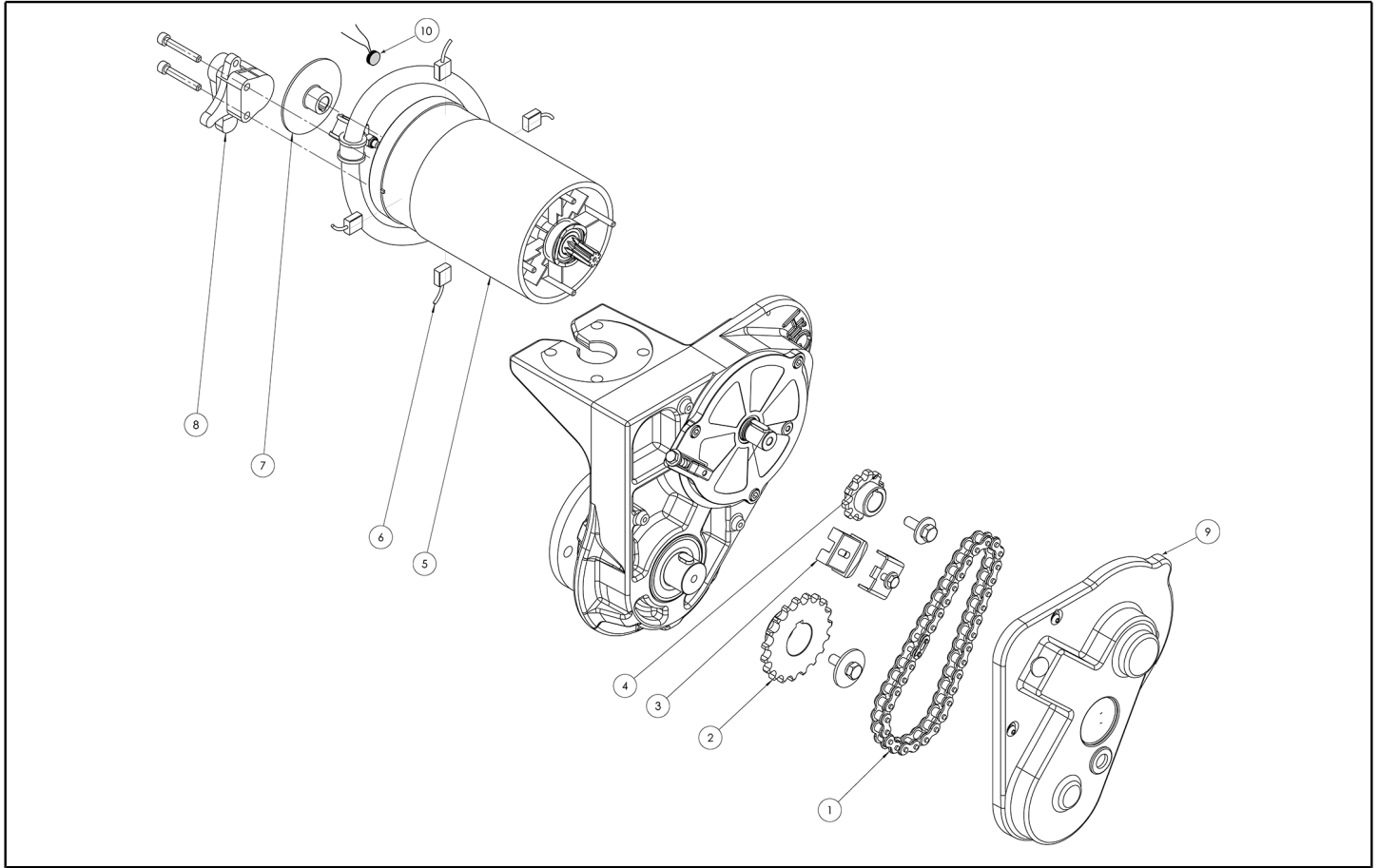
Ref. K	Part n.	Part n. 2	Description	Quantity	Validity		Price
					From	To	
0001	LAFN08175		DRAWER TK1000	1,00			--
0002	LAFN00433	2230024	WHEEL PIN D.15 L.70,5	2,00			--
0003	RTRT00013	1250041	WHEEL GOMMA D.125	2,00			--
0004	VTVR26502	1250017	WHEEL'S COVER D.15	2,00			--
0005	VTRS00505	05116	WASHER D.10 UNI 6592	2,00			--
0006	VTDD00042	SL05032	NUT AUT.M10 UNI7474	2,00			--
0007	VTDD00491		NUT M 6 TEF	4,00			--
0008	VTRS04026		WASHER D. 6X18X2.38	4,00			--
0009	CHVR76643	1320070	SUPP.HOLDER LOCK SW1000	1,00			--
0010	VTVT75726	1105236	SCREW TBCE ISO 7380 6X16 ZB	2,00			--
0011	CHVR76642	1320069	CLOSURE SW1000	1,00			--
0012	VTVT75726	1105236	SCREW TBCE ISO 7380 6X16 ZB	2,00			--
0013	LAFN08194		HANDLE -	1,00			--
0014	VTVT63029	1105510	SCREW TCCE UNI 5931 6X35 ZB	4,00			--
0015	MPVR06100		DRAWER -	2,00			--
0016	LAFN08149		REINFORCEMENT -	8,00			--
0017	VTDD00057		NUT UNI 5589 M8 BASSO ZB	4,00			--
0018	LAFN11080		HANDLE -	2,00			--
0019	VTVR00308			0,64			--
0020	GUVR00010	1320045	GASKET	1,80			--



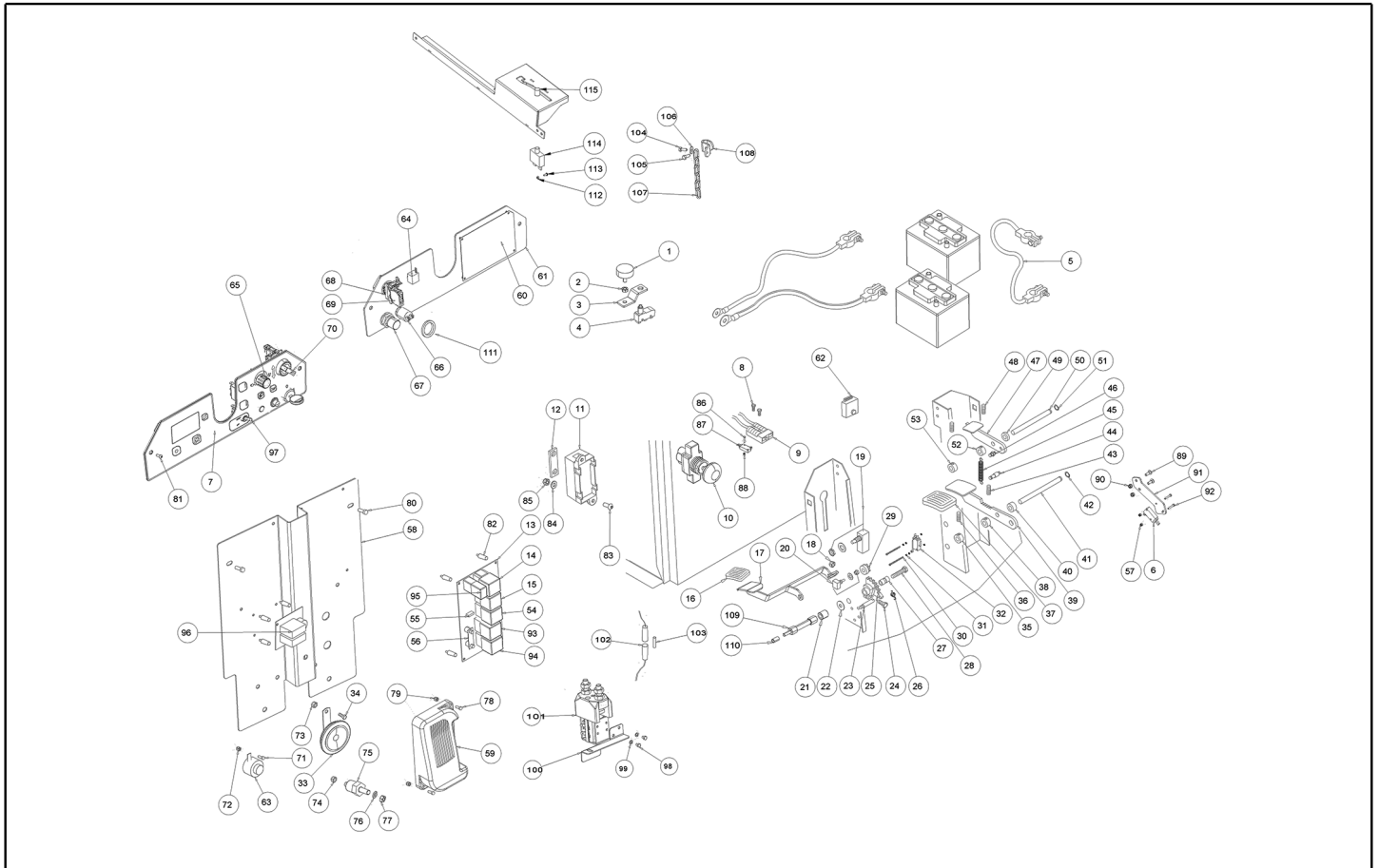
Ref. K	Part n.	Part n. 2	Description	Quantity	Validity		Price
					From	To	
0001	KTRI00103	23101119	LAMP FLASH 24V ORANGE	1,00			--
0002	KTRI00103	23101119	LAMP FLASH 24V ORANGE	1,00			--
0003	VTRS15958	1105808	WASHER UNI 6592 5X15X1,5 ZB	2,00			--
0004	VTDD08171	75282	NUT M 5 TEF	2,00			--
0005	VTVT45339	1105237	SCREW TBCE ISO 7380 5X16 ZB	2,00			--
0006	MELF33431	1180021	LAMP 24V/21W	1,00			--
0007	MPVR06087		HOOD -	1,00			--
0008	SESD45981	13201011	SEAT SC73 01.01.M4 PER TK1400	1,00			--
0009	VTVT00017	1105066	SCREW TE UNI 5739 8X35 ZB	4,00			--
0010	SESD45981	13201011	SEAT SC73 01.01.M4 PER TK1400	1,00			--
0011	VTDD00491		NUT M 6 TEF	4,00			--
0012	VTRS00503	05118	WASHER D. 6 UNI 6798	4,00			--
0013	CEVR85332	13201004	HINGE MEB F D.6 TK	2,00			--
0014	VTVT06237	1105506	SCREW TCCE UNI 5931 6X20 ZB	4,00			--
0015	VTVR00044	1320074	WING NUT D.30 M6X20	1,00			--
0016	VTRS63242	1105325	WASHER UNI 6593 6X24X2 ZB	1,00			--
0017	LAFN85308	21201003	COVER SCATOLA FILTRO TK1000 NER	1,00			--
0018	LAFN08190		SHEET METAL PA. -	1,00			--
0019	LAFN08178		SUPPORT -	1,00			--
0020	LAFN36061		FRAME 1250-1280	1,00			--
0021	LAFN08179		PANEL -	1,00			--
0022	MPVR07159		BODY SIDE DX	1,00			--
0023	MPVR06096		CRANKCASE -	1,00			--
0024	MPVR00738	21601001A	PLANE MILLERIG.1000E CON BIADES	1,00			--
0025	MPVR06094		SIDE PANEL -	1,00			--
0026	MPVR06093		SIDE PANEL -	1,00			--
0027	MPVR06095		CRANKCASE -	1,00			--
0028	MPVR06125		CONVEYOR SX	1,00			--
0029	LAFN08210		BRACKET -	2,00			--
0030	VTVT28307		SCREW TCCE UNI 5931 10X70 ZN	2,00			--
0031	LAFN47011	1110006	BUSHING BU15X10X47 X RUOTA1250056	2,00			--
0032	RTRT00013	1250041	WHEEL GOMMA D.125	2,00			--
0033	VTRS00505	05116	WASHER D.10 UNI 6592	2,00			--
0034	VTDD00042	SL05032	NUT AUT.M10 UNI7474	2,00			--
0035	VTVT00066	1105517	SCREW TCCE UNI 5931 8X25 ZB	2,00			--
0036	MPVR00411		HANDLE TRG	1,00			--
0037	VTRS00513	1105327	WASHER UNI 6593 8X32X2,5 ZB	2,00			--
0038	VTDD00124	SL05001	NUT M 8 BASSO	2,00			--
0039	VTVT00017	1105066	SCREW TE UNI 5739 8X35 ZB	4,00			--
0040	VTRS00504	05242	WASHER D. 8 ZC. UNI 6592	2,00			--
0041	VTRS00512	RS01113	WASHER D. 8 X24 ZC.	4,00			--
0042	VTDD00124	SL05001	NUT M 8 BASSO	4,00			--
0043	LAFN07909		BRACKET -	2,00			--
0044	VTVT62920	1105162	SCREW TE FR 6X16 ZB ZIGRINATE	1,00			--



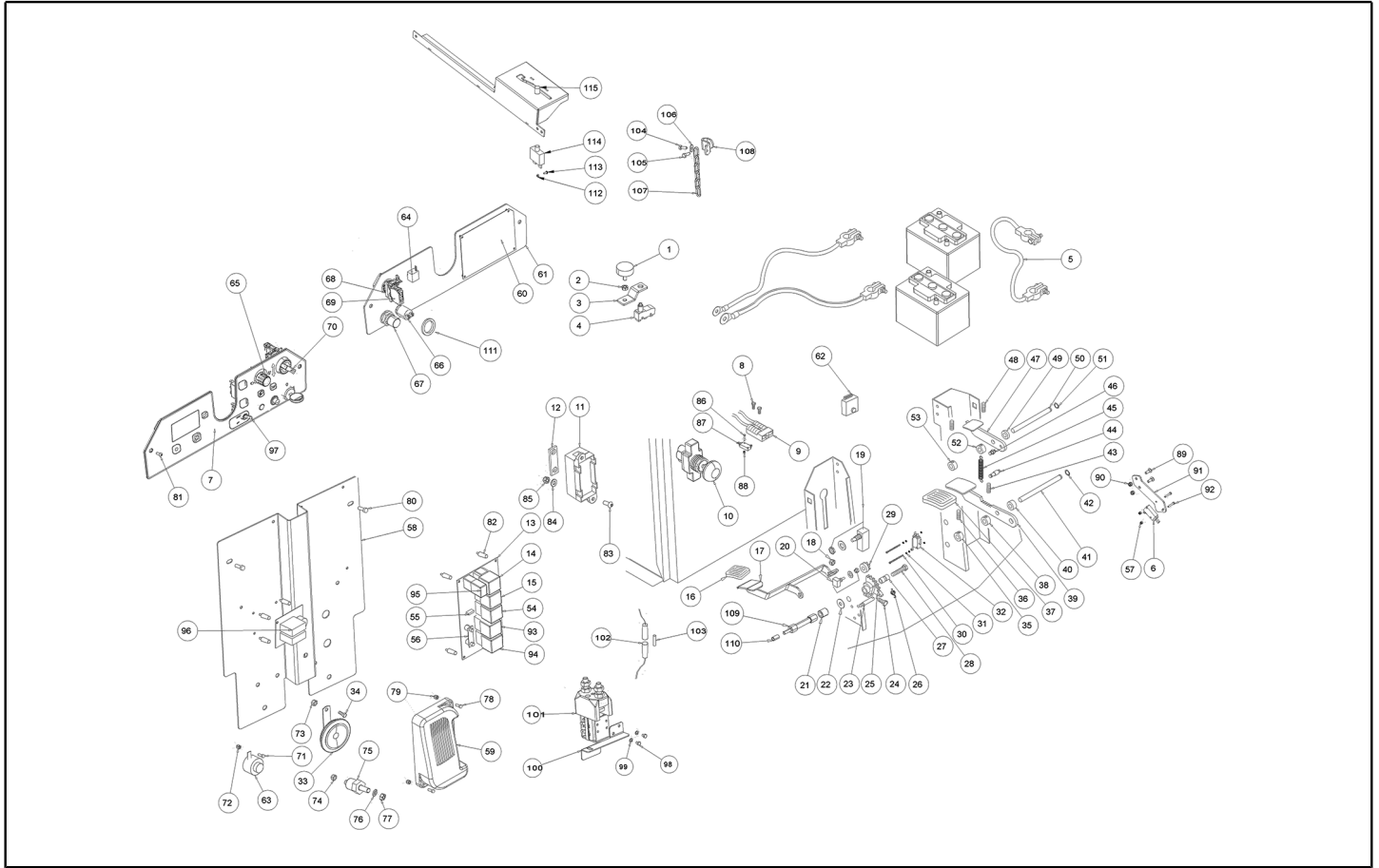
Ref. K	Part n.	Part n. 2	Description	Quantity	Validity		Price
					From	To	
0045	VTRS00503	05118	WASHER D. 6 UNI 6798	2,00			--
0046	VTDD00491		NUT M 6 TEF	2,00			--
0047	VTVT62920	1105162	SCREW TE FR 6X16 ZB ZIGRINATE	4,00			--
0048	VTDD00491		NUT M 6 TEF	4,00			--
0049	VTVT62920	1105162	SCREW TE FR 6X16 ZB ZIGRINATE	4,00			--
0050	VTVT75726	1105236	SCREW TBCE ISO 7380 6X16 ZB	4,00			--
0051	VTRS04026		WASHER D. 6X18X2.38	4,00			--
0052	LAFN08211		SPACER -	4,00			--
0053	VTVT00900	SL11024	GRUB SCREW M 6-30 CON ES	2,00			--
0054	VTVT75726	1105236	SCREW TBCE ISO 7380 6X16 ZB	2,00			--
0055	VTRS04026		WASHER D. 6X18X2.38	2,00			--
0056	LAFN08211		SPACER -	2,00			--
0057	VTVT00527		SCREW TE FR 6X10 ZB ZIG.	2,00			--
0058	VTVT13515	75022	SCREW TSPEI M6x16 UNI5933 10.9	2,00			--
0059	RTRT00022	1320018	HANDWHEEL D.30 M6X15	2,00			--
0060	LAFN08200		BUMPER LH SIDE 1250	1,00			--
0061	LAFN08201		BUMPER RH SIDE 1250	1,00			--
0062	VTRS00504	05242	WASHER D. 8 ZC. UNI 6592	2,00			--
0063	VTVT00446	1105098	SCREW TE UNI 5739 8X20 ACC.8.8	2,00			--
0064	VTDD00124	SL05001	NUT M 8 BASSO	2,00			--
0065	VTRS00504	05242	WASHER D. 8 ZC. UNI 6592	2,00			--
0066	VTVT00446	1105098	SCREW TE UNI 5739 8X20 ACC.8.8	1,00			--
0067	VTDD00124	SL05001	NUT M 8 BASSO	2,00			--
0068	VTRS00504	05242	WASHER D. 8 ZC. UNI 6592	2,00			--
0069	VTRS00504	05242	WASHER D. 8 ZC. UNI 6592	2,00			--
0070	VTVT00446	1105098	SCREW TE UNI 5739 8X20 ACC.8.8	2,00			--
0071	VTVT75721	1105222	SCREW TTDE UNI 5732 6X16 ZB	7,00	14/10/2014		--
0072	MPVR06431		FLAP -	1,00	14/10/2014		--
0073	LAFN86529	21501007	CLAMP FLAP ANT/POST TK1000 NERO	1,00	14/10/2014		--
0074	VTDD00491		NUT M 6 TEF	7,00	14/10/2014		--
0075	VTRS04026		WASHER D. 6X18X2.38	2,00	14/10/2014		--
0076	ITSO00074		INSULATOR -	1,00			--
0077	MPVR04698		FRAME FORO	1,00			--
0078	VTVT00066	1105517	SCREW TCCE UNI 5931 8X25 ZB	4,00	20/03/2015		--
0079	MPVR00411		HANDLE TRG	2,00	20/03/2015		--
0080	VTRS00513	1105327	WASHER UNI 6593 8X32X2,5 ZB	4,00	20/03/2015		--
0081	VTDD00124	SL05001	NUT M 8 BASSO	4,00	20/03/2015		--
0082	VTVT00527		SCREW TE FR 6X10 ZB ZIG.	2,00			--



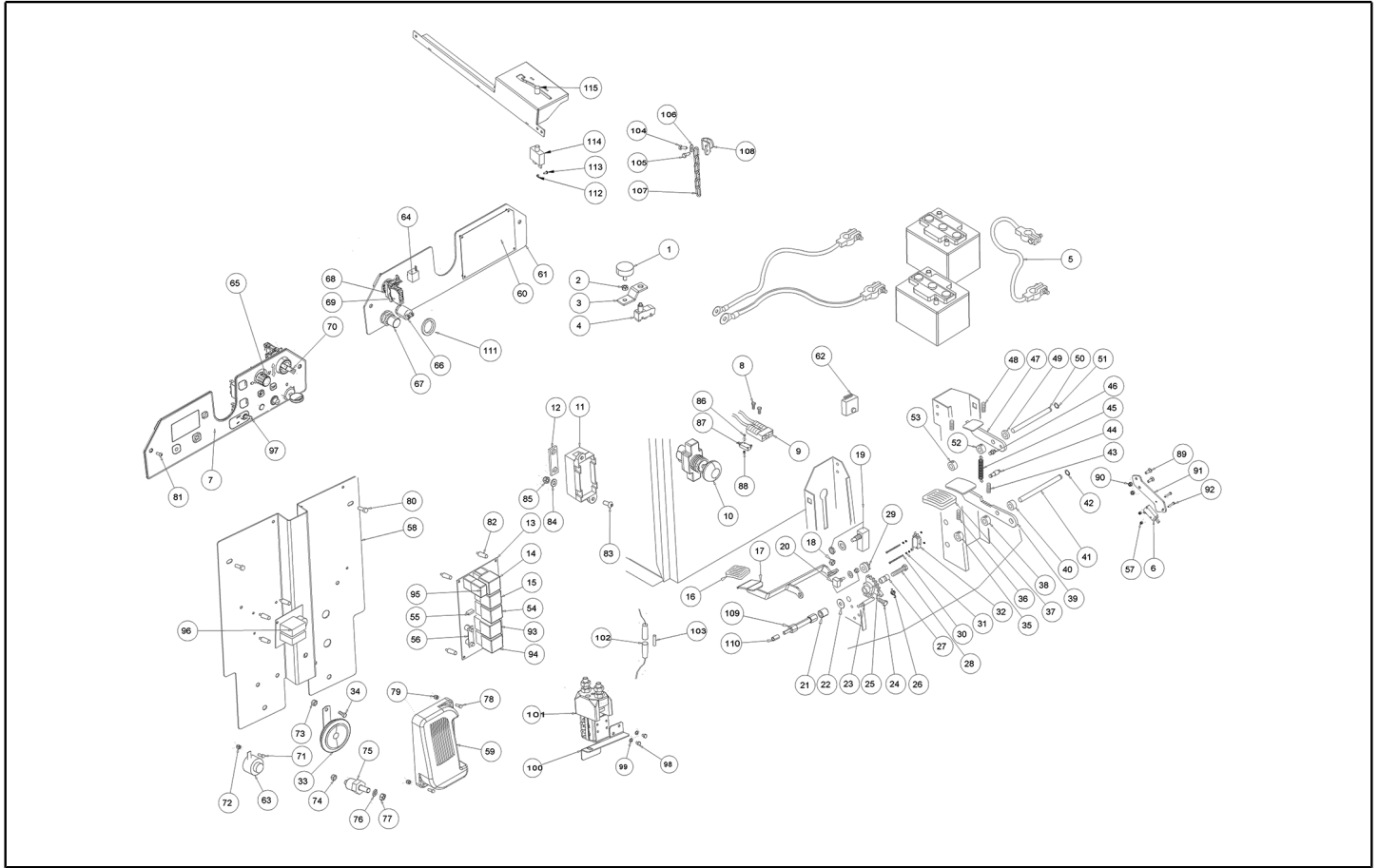
Ref. K	Part n.	Part n. 2	Description	Quantity	Validity		Price
					From	To	
0001	MTCR00104		CHAIN -	1,00			--
0002	MTIG00130		PINION 1/2"x5/16" Z19	1,00			--
0003	LAFN08226		CHAIN STRECHER -	1,00			--
0004	MTIG00129		PINION 1/2"x5/16" Z10	1,00			--
0005	MOCC00445		MOTOR 500W	1,00			--
0006	MEVR02107		KIT BRUSH	1,00			--
0007	LAFN08224		DISC -	1,00			--
0008	LAFN08225		PLIERS -	1,00			--
0009	MPVR11196		CRANKCASE MOTORWHEEL MOCC00434	1,00			--
0010	MEVR02827		THERMAL MOCC00445	1,00			--



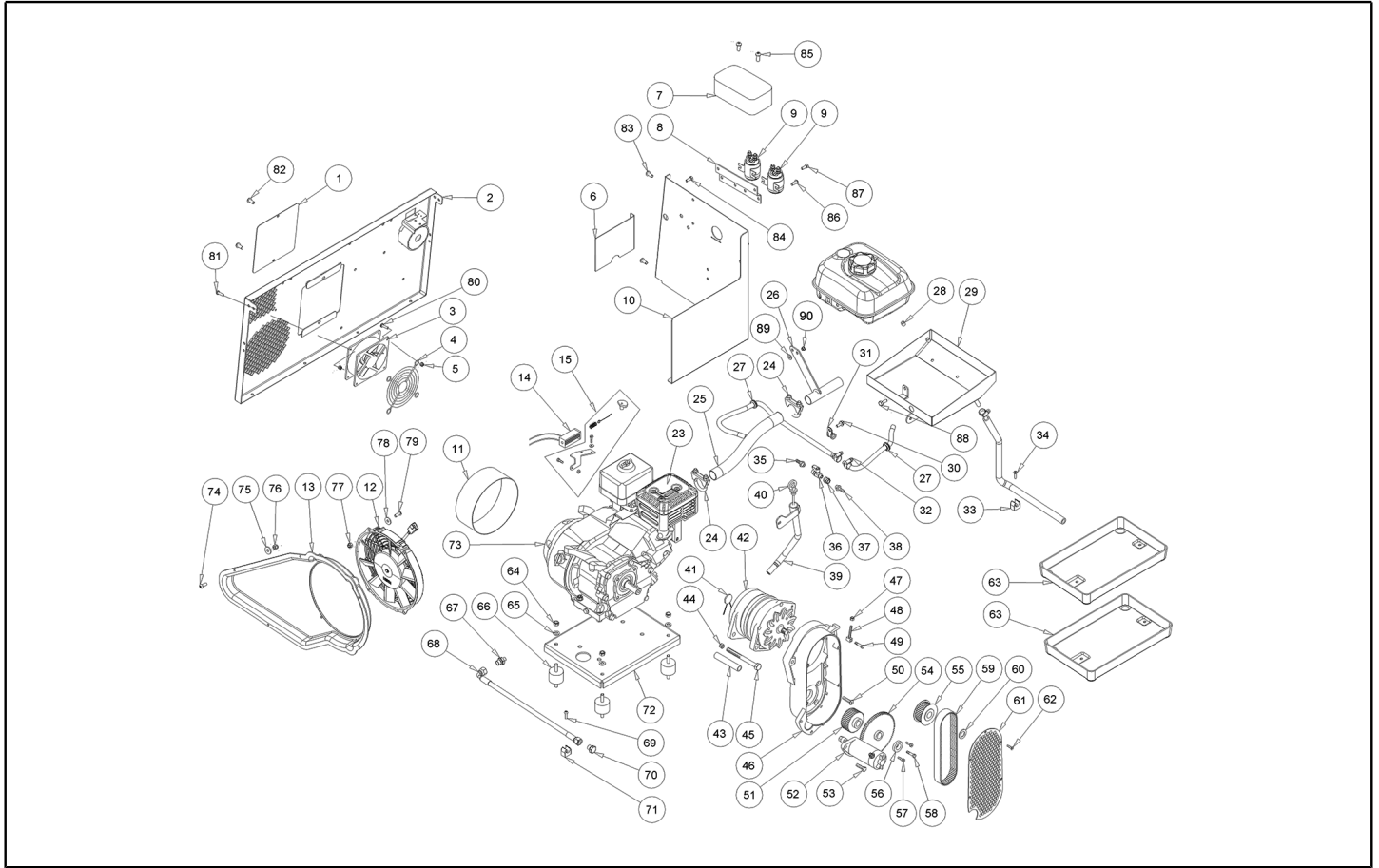
Ref. K	Part n.	Part n. 2	Description	Quantity	Validity		Price
					From	To	
0001	ABGO00026	70775	VIBRATION DAMP.	2,00			--
0002	VTDD10776	05094	NUT M 8 X1 UNI 5588	4,00			--
0003	LAFN07862		BRACKET -	1,00			--
0004	MECI75801	1380001	MICROSWITCH A PISTONE (MS/10-Z15GC)	1,00			--
0005	MEVR34820	SL23838	WIRING BATTERY BRIDGE W/TERMINAL	3,00			--
0006	MECI00114	70319	MICROSWITCH	1,00			--
0007	ETET01798		LABEL -	1,00			--
0008	VTVT19236	1105777	SCREW TCCE UNI 5931 5X20 ZB	2,00			--
0009	MEVR01079	SL23010K	PLUG M CB50 A 600V RD.	1,00			--
0010	MECI00571		BUTTON EMERGENCY BL.SB 1250	1,00			--
0011	MEVR00146	1380151	FUSE-HOLDER MEGA	1,00			--
0012	MEVR00145	1380150	FUSE 100A	1,00			--
0013	MECE00592		BOARD POWER SERVICE 1250-1280	1,00			--
0014	MECE00201	71337	RELAIS 24V 10-20 A	1,00			--
0015	MECE00201	71337	RELAIS 24V 10-20 A	1,00			--
0016	MPVR85654	13201006	PEDAL COVER PICCOLO V1020	1,00			--
0017	LAFN08165		PEDAL -	1,00			--
0018	VTDD00124	SL05001	NUT M 8 BASSO	1,00			--
0019	MECI75801	1380001	MICROSWITCH A PISTONE (MS/10-Z15GC)	2,00			--
0020	KTRI02289		KIT 1250-80	1,00			--
0021	LAFN04042	SL07527	SPACER D8.5-15	1,00			--
0022	VTRS00504	05242	WASHER D. 8 ZC. UNI 6592	1,00			--
0023	LAFN75969	2230005	PIN SOSTEGNO CINGHI D.9 H.33	1,00			--
0024	VTVT01688		SCREW TBEI M 8X 30 ISO 7380 IX	1,00			--
0025	MTIG85317	22501006	GEAR ACCELERATORE TK1000	1,00			--
0026	MLML85997	22051007	SPRING A TORSIONE D.2 TK1000Egz	1,00			--
0027	LAFN47084	21101019	BUSHING ACCELERATORE TK 1000	1,00			--
0028	VTVT00452	05020	SCREW TE 8X 50 UNI 5739	1,00			--
0029	MTIG85318	22501011	GEAR POTENZIOMETRO ACCEL.1000E	1,00			--
0030	VTVT00021	1105071	SCREW TE UNI 5739 3X25 ZB	2,00			--
0031	VTDD00001	1105120	NUT UNI 5588 M3 ZB	4,00			--
0032	MECI30642	SL23021	MICRO-SWITCH 11A 0.33HP	1,00			--
0033	MEVR02112		HORN 24V	1,00	12/10/2015		--
0033	MEVR33430		KLAXON K100/Y 1A 24V	1,00		11/10/2015	--
0034	VTVT00527		SCREW TE FR 6X10 ZB ZIG.	1,00			--
0035	LAFN47030	21101006	BUSHING FISS.PEDALE FRENO FORATA	1,00			--
0036	VTVT75731	1105482	GRUB SCREW UNI 5923 6X5	1,00			--
0037	MPVR45096	13201007	PEDAL COVER GRANDE V1021	1,00			--
0038	LAFN47030	21101006	BUSHING FISS.PEDALE FRENO FORATA	1,00			--
0039	LAFN09344		PEDAL -	1,00			--
0040	LAFN47019	21101012	BUSHING FISSAGGIO PEDALE FRENO	1,00			--
0041	LAFN47036	22301004	PIN FISS.PEDALE FRENO+ALZAFI.	1,00			--
0042	VTAE87276	1105410	SEEGER EXT. D10 DIN471	1,00			--
0043	VTVT75731	1105482	GRUB SCREW UNI 5923 6X5	1,00			--



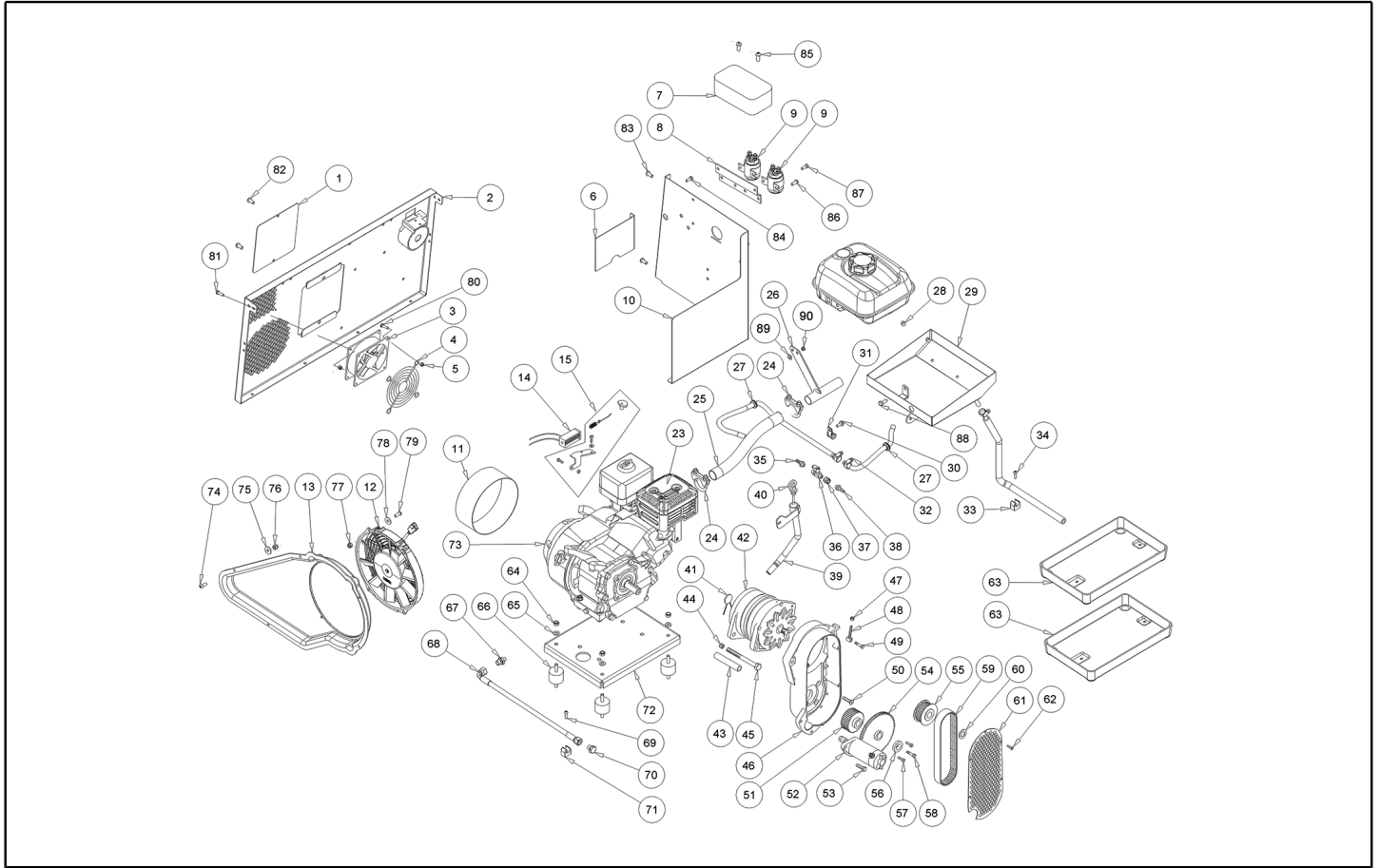
Ref. K	Part n.	Part n. 2	Description	Quantity	Validity		Price
					From	To	
0044	LAFN47035	2230015	PIN CH.10 H.26 ATTACCO MOLLA	1,00			--
0045	MLML75960	2205005	SPRING TRAZIONE TK D.8X1X29 ZB	1,00			--
0046	LAFN47029	2230012	PIN CH.10 H.16 ATTACCO MOLLA	1,00			--
0047	LAFN47032	22601002	PEDAL BLOCCO FRENO TK1000 ZINC	1,00			--
0048	VTVT75731	1105482	GRUB SCREW UNI 5923 6X5	1,00			--
0049	LAFN47033	21101005	BUSHING FISSAGGIO PERNO PEDALI	1,00			--
0050	LAFN47031	22301007	PIN PEDALE BLOCCO FRENO 1000	1,00			--
0051	VTAE87276	1105410	SEEGER EXT. D10 DIN471	1,00			--
0052	LAFN47030	21101006	BUSHING FISS.PEDALE FRENO FORATA	1,00			--
0053	LAFN47030	21101006	BUSHING FISS.PEDALE FRENO FORATA	1,00			--
0054	MECE00201	71337	RELAIS 24V 10-20 A	1,00			--
0055	MEVR01136	SL23148	FUSE 30A	1,00			--
0056	MEVR02060		FUSE 40A	1,00			--
0057	VTDD21115	SL05019	NUT M 3 INOX	2,00			--
0058	LAFN08202		PLATE -	1,00			--
0059	MECE00601		BOARD 1250-1280	1,00			--
0060	MECE00591		BOARD LOGIC 1250-1280	1,00			--
0061	LAFN08204		SUPPORT METAL DASHBOARD 1250	1,00			--
0062	MEVR02017		BEEPER -	1,00			--
0063	MECE00182	70989	BUZZER	1,00			--
0064	MEVR01941		POTENTIOMETER 100K	1,00			--
0065	KTRI01935		KIT 1050-1202	1,00			--
0066	MEVR85330	1180012	BUTTON -	1,00			--
0067	MECI75805	13801001	SWITCH KEY FOR BATTERY MACHINES	1,00			--
0068	MECI00520		SMALL BASKET FIX TO FIX CONTACT	1,00			--
0069	MECI00518		CONTACT NC	1,00			--
0070	MECI00572		SELECTOR -	1,00			--
0071	VTVT00311	75218	SCREW TE M4X12	1,00			--
0072	VTDD04368	05090	NUT M 4 ZIN UNI 5588	1,00			--
0073	VTDD00491		NUT M 6 TEF	1,00			--
0074	VTDD00124	SL05001	NUT M 8 BASSO	2,00			--
0075	MEVR01116	SL23103	SUPPORT FUSIBILE 120 A	2,00			--
0076	VTRS01080	05136	WASHER D. 8 GRW	2,00			--
0077	VTDD00483	05092	NUT M 8 ZIN UNI 5588	2,00			--
0078	VTVT01529	75104	SCREW TE M4X20 ZINC. UNI 5739	2,00			--
0079	VTDD04369	75259	NUT M 4 TEF UNI 7473	2,00			--
0080	VTVT00527		SCREW TE FR 6X10 ZB ZIG.	3,00			--
0081	VTVT00659	SL04065	SCREW TC+ M. 4-15	8,00			--
0082	MEVR01708		COLUMN -	4,00			--
0083	VTVT75726	1105236	SCREW TBCE ISO 7380 6X16 ZB	2,00			--
0084	VTRS00503	05118	WASHER D. 6 UNI 6798	2,00			--
0085	VTDD00491		NUT M 6 TEF	2,00			--
0086	VTVT01170		SCREW TC 2X16	2,00			--
0087	MERL00018		MICROSWITCH	1,00			--



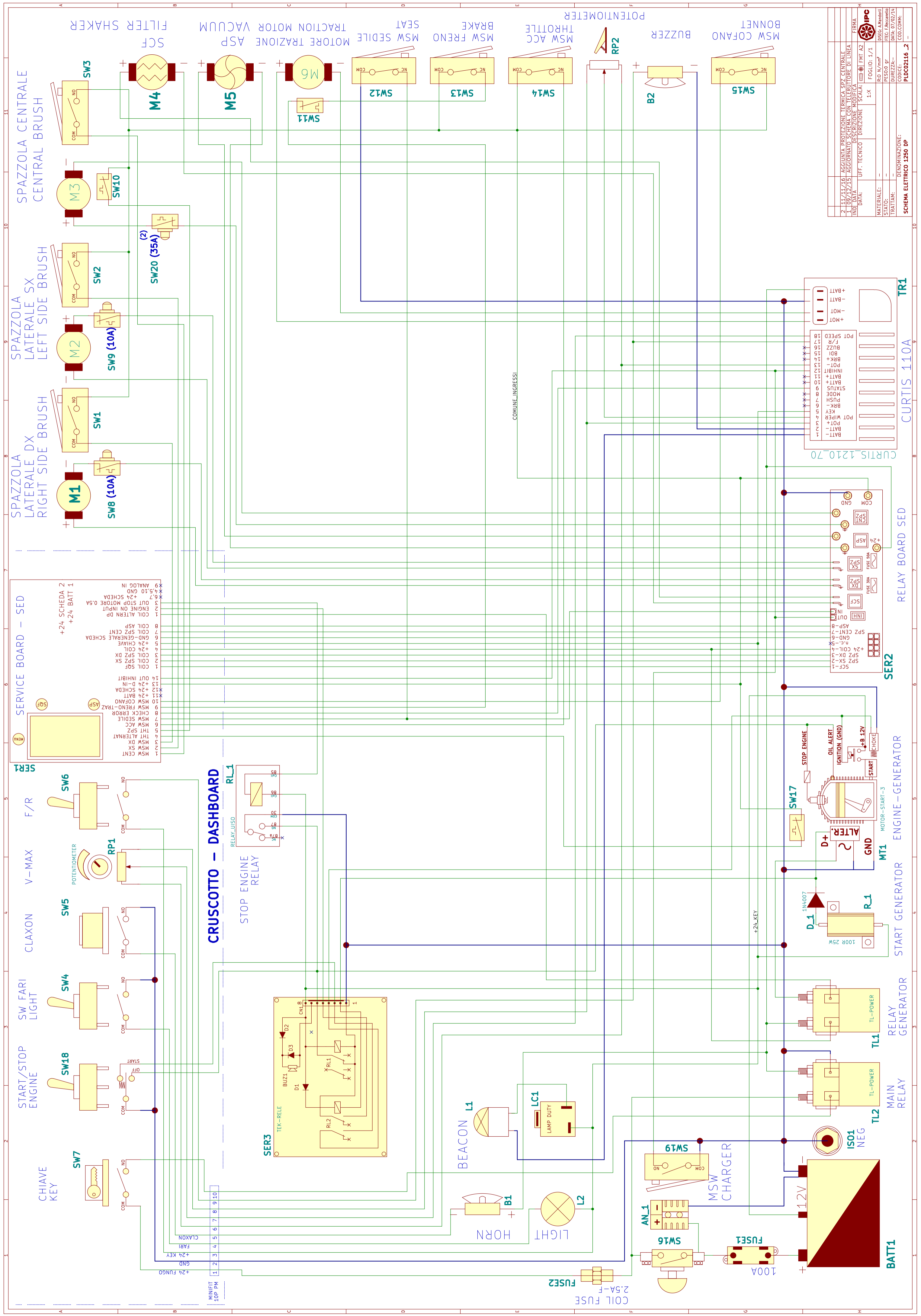
Ref. K	Part n.	Part n. 2	Description	Quantity	Validity		Price
					From	To	
0088	VTDD00213		NUT M2	2,00			--
0089	VTVT16939	SL04401	SCREW M 4X 16 TSPEI UNI 5933	2,00			--
0090	VTDD04369	75259	NUT M 4 TEF UNI 7473	2,00			--
0091	LAFN09383		BRACKET -	1,00			--
0092	VTVT01350		SCREW M3-20 INOX	2,00			--
0093	MERL00016		SWITCH RELAY 24V	1,00			--
0094	MERL00016		SWITCH RELAY 24V	1,00			--
0095	MECE00456		RELAY CT110	1,00			--
0096	MECE45124	21801054	PCB RELÉ TK1400	1,00			--
0097	MECI75945	21801013	COMMUTAT.SWITCH 3 POSIZ.FUNZ.MACCH.+CAPP	1,00			--
0098	VTVT01669		SCREW M4x6 UNI5739 znt cl.4.8	2,00	12/10/2015		--
0099	VTRS00501	05109	WASHER D. 4 0.232 UNI 6592	2,00	12/10/2015		--
0100	LAFN09488		PLATE	1,00	12/10/2015		--
0101	MECI00532		CONTACTOR 24V-100A	1,00	12/10/2015		--
0102	MEVR00080	1380090	FUSE-HOLDER PV610 10A	1,00	12/10/2015		--
0103	MEVR00072	1380079	FUSE 2.5A F6.3X32-100/110V	1,00	12/10/2015		--
0104	VTVT34115	75019	SCREW TE M 5X 10 UNI 5739	1,00	12/10/2015		--
0105	VTVT00005	1105023	SCREW TE FR 5X12 ZB	1,00	12/10/2015		--
0106	VTRS15958	1105808	WASHER UNI 6592 5X15X1,5 ZB	1,00	12/10/2015		--
0107	MTCR00029	70311	SMALL CHAIN	0,17	12/10/2015		--
0108	LAFN07380		BRACKET G1050	1,00	12/10/2015		--
0109	LAFN08166		PIN -	1,00			--
0110	LAFN03742	SL07164	SPACER SILENZIATORE	1,00			--
0111	VTRS00023	1105754	WASHER DENTATA INT.UNI 6798 D.18	1,00	10/11/2016		--
0112	VTDD00210		NUT M 3 AUTOBL.DIN 985 IX.A2	2,00	18/01/2017		--
0113	VTVT00722	SL04179	SCREW	2,00	18/01/2017		--
0114	MEVR02899		FUSE CIRCUIT BREAKER 35A	1,00	18/01/2017		--
0115	MEVR02900		CAP -	1,00	18/01/2017		--



Ref. K	Part n.	Part n. 2	Description	Quantity	Validity		Price
					From	To	
0001	LAFN08122		BULKWARD -	1,00			--
0002	LAFN08179		PANEL -	1,00			--
0003	VEVR45113	1290008	IMPELLER 24V KDE 2412-PMS1 6A	1,00			--
0004	LAFN00009	1290008A	BRACKET PROTEZIONE	1,00			--
0006	LAFN08125		BULKWARD -	1,00			--
0007	MPVR47166	21201076	CRANKCASE PROTEZIONE TELERUT.TK1400	1,00			--
0008	LAFN47167	22601101	BRACKET PORTA TELERUT.TK1400 ZINC	1,00			--
0009	METT45116	1380085	CONTACTOR T106P 24V 100%	2,00			--
0010	LAFN08123		SPACER -	1,00			--
0011	GUVR45977	21601015	GASKET CONV.ARIA 1400/1300/1400	1,00			--
0012	VEVR00078		IMPELLER -	1,00			--
0013	MPVR06411		CONVEYOR -	1,00			--
0014	MEVR02915		SOLENOID -	1,00			--
0015	KTRI05092		KIT -	1,00			--
0023	MRSC00092		SILENCER -	1,00			--
0024	LAFN02858	70363	CLAMP D.32	2,00			--
0025	TBFX00057	70143	FLEXIBLE HOSE	0,38			--
0026	LAFN08128		TUBE -	1,00			--
0027	MEVR00686	71003	FAIR-LEAD DIAMETER 15.5	2,00			--
0028	LAFN47095	21301013	SPACER D.6X10X8 ZINCATO	2,00			--
0029	LAFN08126		BRACKET -	1,00			--
0031	FSVR00005	1500017	CLAMP TIPO "ECO"FORO MM8 D.1 W0	2,00			--
0032	FSVR19692	1500020	CLAMP D. 11-16 VT	2,00			--
0033	FSVR00024	70066	HOSE COLLAR	1,00			--
0035	RCVR00004	1255003	CONNECTOR PORTAGOMMA 1/8" D.7	1,00			--
0036	RCGR00008	1320088	VALVE A SFERA MF 1/8"	1,00			--
0037	RCVR00019	1255032	SLEEVE 1/8"	1,00			--
0038	RCVR00004	1255003	CONNECTOR PORTAGOMMA 1/8" D.7	1,00			--
0039	LAFN08129		TUBE -	1,00			--
0040	TBBP00383		ROD LIVELLO OLIO	1,00			--
0041	METK47170	23802007	PROBE F11-140° NC	1,00			--
0042	ARGN00004	13401012	ALTERNATOR 28V-80A	1,00			--
0043	LAFN47157	21301023	SPACER X ALTERNATORE X 1400 DP	1,00			--
0044	VTDD00042	SL05032	NUT AUT.M10 UNI7474	1,00			--
0045	VTVT16260	1105524	SCREW TE UNI 5737 10X160 ZB	1,00			--
0046	MFVR47154	22601235	SUPPORT MOTORINO TK1400 DP	1,00			--
0047	VTDD00491		NUT M 6 TEF	1,00			--
0048	LAFN47168	1500019	BELT-STRETCHER ALTERNATORE TK1400	1,00			--
0049	VTVT28307		SCREW TCCE UNI 5931 10X70 ZN	1,00			--
0050	VTVT63134		SCREW M 8X25 TSPEI ZC UNI 5933	4,00			--
0051	MTPL45323	22501037	PULLEY MOT.HONDA 44-RPP5-25 1400	1,00			--
0052	MOCC45115	13401006	MOTOR 24V 300W SX	1,00			--
0053	VTVT01119	1105563	SCREW TCCE UNI 5931 8X30 ZB	1,00			--
0054	MTCR45720	22501025	TOOTHED WHEEL Z. 80 P 1.75	1,00			--



Ref. K	Part n.	Part n. 2	Description	Quantity	Validity		Price
					From	To	
0055	MTPL45322	22501034	PULLEY ALTERN.40-RPP5-25	1,00			--
0056	LAFN06832		WASHER BLOCCA INGRANAGGIO	1,00			--
0057	VTVT00066	1105517	SCREW TCCE UNI 5931 8X25 ZB	2,00			--
0058	VTVT00448	05156	SCREW TE 8X30 UNI5739	1,00			--
0059	MTCG44555	1330020	BELT DENTATA DAYCO/ISORAN	1,00			--
0060	LAFN00271	21301017	NUT FISSA PULEGGIA ALTERNA.	1,00			--
0061	LAFN47152	22601236	BRACKET PROTEZIONE	1,00			--
0062	VTVT00005	1105023	SCREW TE FR 5X12 ZB	5,00			--
0063	LAFN87156	2120125	CONTAINER BATTERY	2,00			--
0064	VTDD00124	SL05001	NUT M 8 BASSO	4,00			--
0065	VTRS00504	05242	WASHER D. 8 ZC. UNI 6592	4,00			--
0066	ABGO00009	1370013	VIBRATION DAMP. MM 40X30 8MAX25	4,00			--
0067	RCDS47173	22551001	NIPPLE 1/4 -M10X1.25	1,00			--
0068	TBBP00514		TUBE -	1,00			--
0070	RCDS00002	12551001	CAP 1/4" X IMPIANTO IDRAULICO	1,00			--
0071	FSVR00024	70066	HOSE COLLAR	1,00			--
0072	LAFN08184		PLATE -	1,00			--
0073	MOSC47149	1340035	MOTOR HONDA GX200-SX-4-OH	1,00			--
0074	VTVT75726	1105236	SCREW TBCE ISO 7380 6X16 ZB	5,00			--
0075	VTRS04026		WASHER D. 6X18X2.38	5,00			--
0076	VTDD00491		NUT M 6 TEF	5,00			--
0077	VTDD00491		NUT M 6 TEF	4,00			--
0078	VTRS00503	05118	WASHER D. 6 UNI 6798	4,00			--
0079	VTVT75726	1105236	SCREW TBCE ISO 7380 6X16 ZB	4,00			--
0080	VTVT15924	1105494	SCREW TCTC 4X16 ACCIAIO INOX	4,00			--
0081	VTVT15924	1105494	SCREW TCTC 4X16 ACCIAIO INOX	4,00			--
0082	VTVT75726	1105236	SCREW TBCE ISO 7380 6X16 ZB	2,00			--
0083	VTVT75726	1105236	SCREW TBCE ISO 7380 6X16 ZB	2,00			--
0084	VTVT62920	1105162	SCREW TE FR 6X16 ZB ZIGRINATE	2,00			--
0085	VTVT75725	1105234	SCREW TBCE ISO 7380 6X10 ZB	2,00			--
0086	VTVT75725	1105234	SCREW TBCE ISO 7380 6X10 ZB	2,00			--
0087	VTVT62920	1105162	SCREW TE FR 6X16 ZB ZIGRINATE	2,00			--
0088	VTVT00527		SCREW TE FR 6X10 ZB ZIG.	1,00			--
0089	VTRS00274	SL06064	WASHER NYLON 66 D.8,4-17-2 UNI	2,00	17/12/2015		--
0090	LAFN09413		BUSHING -	2,00	17/12/2015		--



MINIFIT 10P PM 1 2 3 4 5 6 7 8 9 10

CLAXON FARI +24 KEY GND +24 FUNGO

START/STOP ENGINE SW18 START

SW FARI LIGHT SW4 SW5

CLAXON V-MAX POTENTIOMETER RP1

F/R SW6

SERVICE BOARD - SED

SPAZZOLA LATERALE DX RIGHT SIDE BRUSH M1 SWB (10A)

SPAZZOLA LATERALE SX LEFT SIDE BRUSH M2 SW9 (10A)

SPAZZOLA CENTRALE CENTRAL BRUSH M3 SW10

SCF FILTER SHAKER M4 SW3

MOTORE TRAZIONE ASP M5

MSW SEDILE M6

MSW FRENO SEAT SW12

MSW FRENO BRAKE SW13

MSW ACC THROTTLE SW14

POTENTIOMETER RP2

Buzzer B2

MSW COFANO BONNET SW15

RELAY BOARD SED

RELAY GENERATOR TL1 TL2 TL-POWER

MAIN RELAY

START GENERATOR

ENGINE-GENERATOR

MOTOR-START-3

CHARGER MSW AN1 SW16 SW19

BATT1 12V

FUSE1 100A

FUSE2 2.5A-F

COIL FUSE

LAMP DUTY LC1

BEACON L1

HORN B1

LIGHT L2

CRUSCOTTO - DASHBOARD

STOP ENGINE RELAY RL1

RELAY_USO

SER3 TEK-RELE

SER2

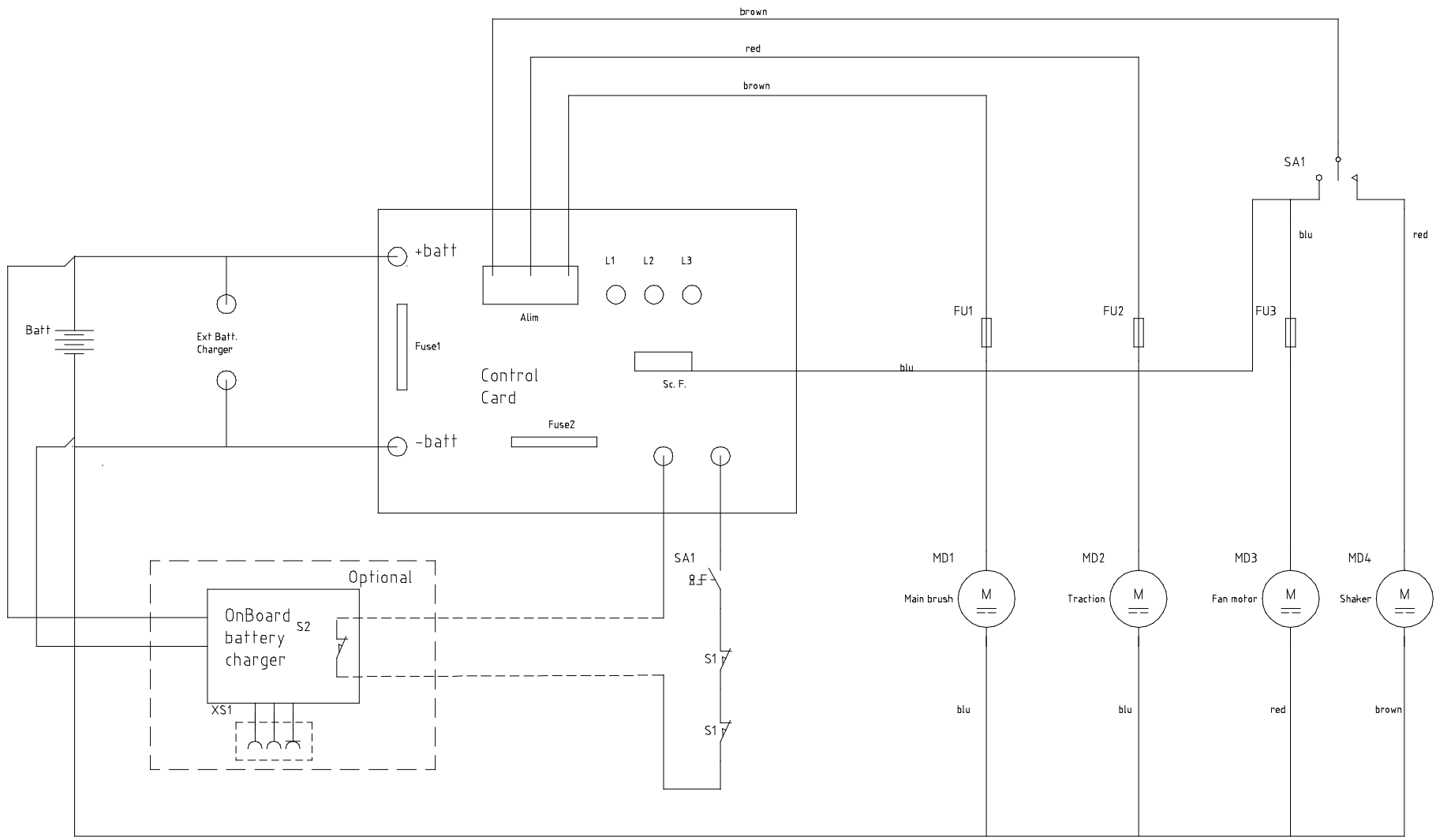
SER1

CURTIS 1210-70

CURTIS 110A

TR1


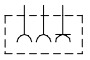



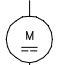
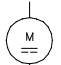
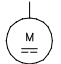
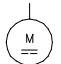
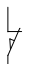
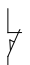
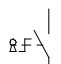
2	11/11/16	AGGIUNTA PROTEZIONE TERMICA SPZ CENTRALE
3	09/12/15	AGGIORNATO SCHEMA CON TELESELETORE DI LINEA
		DESCRIZIONE MODIFICA
		UFF. TECNICO DIREZIONE SCALA: [] FMT AZ
		DATA: [] FOGGIO: 1/1
		MATERIALE: [] RGD N./mm²
		STATO: [] PESO: 0 gr
		TRATTAM: [] DUREZZA: []
		CODICE: [] DENOMINAZIONE: []
		SCHEMA ELETTRICO 1250 DP




TOLLERANZE GENERALI LAVORAZIONE GENERALE

1		18/01/2010	AGGIUNTO SECONDO MICRO COFANO		BENEVELLI		
IND.	DATA	DESCRIZIONE MODIFICA		FIRMA	MT N°		
P.GREZZO:	0	g	DERIVAZ.:	PIANO CONTR.	TRASMESSO IL:		 SCALA
P.FINITO:	0	g	STAMPO:	FILE 3D:	R : N/mm		FMT A30 DISSEG.: MBENEVELLI
MATERIALE:							FTECN: RECCANELLO
STATO:					MAT.PR:		DATA: 18/01/2010
TRATTAM.:					DUREZZA:		FOGLIO: 1/2
FAMIGLIA		DENOMINAZIONE				DIS. COD.	
ELETT		SCHEMA ELETTRICO 512/712 U.T.				512 PLDC01562	

== IL PRESENTE DISEGNO E' DI PROPRIETA' DELLA IP CLEANING S.p.a. - NE E' VIETATA LA RIPRODUZIONE O LA DIVULGAZIONE A TERMINI DI LEGGE ==

Sim.\Sym.	Sigla\Item	Funzione\Use Type	Sim.\Sym.	Sigla\Item	Funzione\Use Type	Sim.\Sym.	Sigla\Item	Funzione\Use Type
	Batt =QG 1	Battery		XS1 =QG 1	Plug			
	FU1 =QG 1	Fuse						
	FU2 =QG 1	Fuse						
	FU3 =QG 1	Fuse						
	MD1 =QG 1	Main brush						
	MD2 =QG 1	Traction						
	MD3 =QG 1	Fan motor						
	MD4 =QG 1	Shaker						
	S1 =QG 1	Hood microswitch						
	S2 =QG 1	Battery charger enable switch						
	SA1 =QG 1	TURN ON Key						

TOLLERANZE GENERALI				LAVORAZIONE GENERALE			
IND.	DATA	DESCRIZIONE MODIFICA		FIRMA	MT N°	 IPC DISEG.: MBENEVELLI FTECN: RECCANELLO DATA: 18/01/2010 FOGLIO: 2/2 IE: PLDC01562	
P.GREZZO: 0	g	DERIVAZ.:	PIANO CONTR.	TRASMESSO IL:	SCALA		
P.FINITO: 0	g	STAMPO:	FILE 3D:	R :	N/mm		
MATERIALE:				MAT.PR:	SOSTITUISCE:		
STATO:				DUREZZA:			
TRATTAM.:				FAMIGLIA		DENOMINAZIONE	DIS. COD.
		ELETT		SCHEMA ELETTRICO 512/712 U.T.		512	PLDC01562